

Single Cup Brewer

Model RC400



Model RC400



Table of Contents

Specifications.....	2	Set-Up	7
Safety Information.....	2	Operation	8
General Information	4	Cleaning & Maintenance.....	10
Unpacking Your Brewer	5	Troubleshooting Guide.....	13
Installation.....	5	Parts Diagram and List	15

Thank you for purchasing the single cup RC400 brewer. For your safety and the safety of others, read all warnings and the operator's manual before installing or using the product. Properly instruct all operators. Keep training records. For future reference, record serial number here:

GMCW

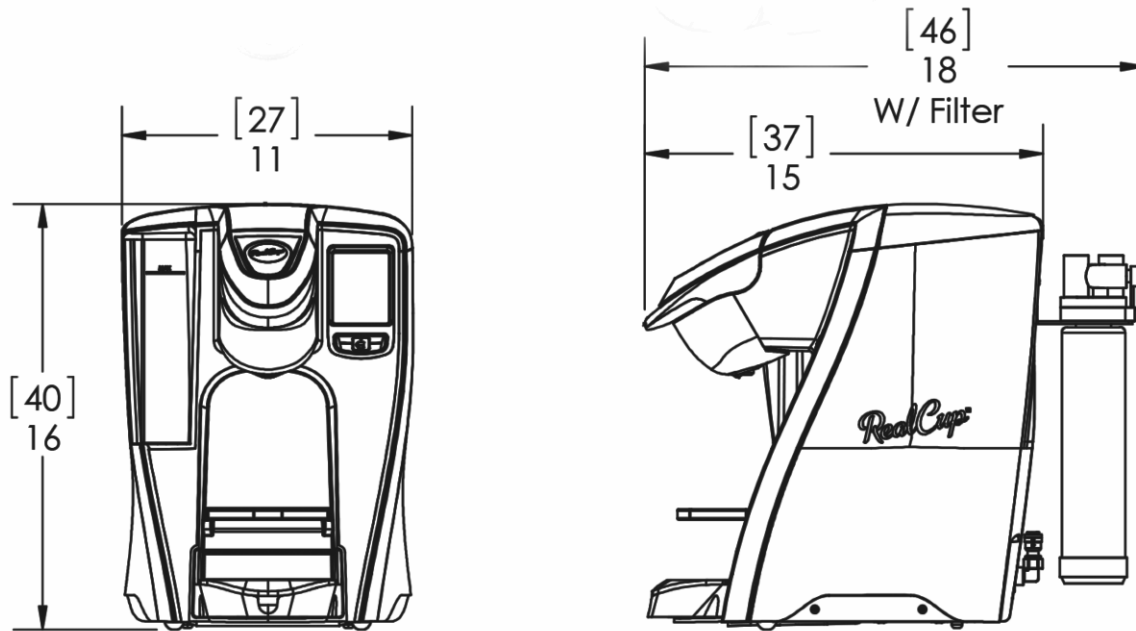
4003 Collins Lane, Louisville, KY 40245 USA
 Phone: 502.425.4776 Toll Free: 800.695.4500
 Fax: 502.425.4664
 Web: gmcw.com Email: info@gmcw.com

GMCW provides the industry's BEST warranty. Visit gmcw.com for warranty terms and conditions.



Specifications

Model	Description	Electrical
RC400	Single serving coffee brewer - 72oz. (2.13 L) cold water reservoir. CNSFUS Electrical, NSF Certification	120V / 1550 W / 13A / 1 Ph



measurements in inches [cm]

Thank you for purchasing the single cup RC400 brewer. This brewer is a digitally controlled commercial/residential coffee brewer that brews one cup at a time. The brewer is designed for optimal use with RealCup™ capsules and is compatible with Keurig®* K-Cup®* capsules.

The Single Cup brewer can be plumbed into a potable water supply. If a water line is not available, the brewer can be used as a pour over brewer. The brewer requires a dedicated 15 amp, 120V, 60 Hz power source. If the brewer is plumbed, it will refill the reservoir automatically. If used as a pour over brewer, the user must manually refill the reservoir as necessary.

The operating principle of this machine is that a user places a coffee mug on the drip tray (or foldaway tray), then places a new RealCup™ capsule in the brew chamber. The user then closes the chamber and selects, from the user interface screen, their beverage and size choice. Once these selections are made, the BREW button is pressed. The brewer is designed to dispense 4 (118), 6 (177), 8 (237), 10 (296), 12 (355), and 16 (473) fluid ounces (ml). Actual dispensed volume is approximately 10% less to allow for addition of milk, cream, or sweetener if desired.

*RealCup™ brand has no affiliation with K-Cup® or Keurig Inc. Keurig® and K-Cup® are registered trademarks of Keurig Inc.

Safety Information

Important Safety Information



This is the safety alert symbol. It is used to alert you to potential personal injury hazards. Obey all safety messages that follow this symbol to avoid possible injury or death.

For your safety and the safety of others, read all warnings and the operator's manual before installing or using the product.

DANGER: This term warns the user of imminent hazard that will result in serious injury or death.

WARNING: This term refers to a potential hazard or unsafe practice, which could result in serious injury or death.

CAUTION: This term refers to a potential hazard or unsafe practice, which could result in minor or moderate injury.

NOTICE: This term refers to information that needs special attention or must be fully understood.

Safety Information (continued)

DANGER

To prevent the possibility of electrocution, burns, or other injuries and to prevent damage to your brewer, do not immerse in water or any cleaning liquids.

Do not operate a damaged brewer. Inspect the power supply cord and water supply often. If cord or plug is damaged or worn, do not use your brewer. Turn off the water supply and disconnect the electrical power.

Turn off and unplug the brewer before cleaning or maintenance.

Risk of suffocation. The product packaging contains a plastic bag. Keep plastic bags away from children.

Disconnect power if the machine functions abnormally and notify qualified service personnel for repairs. Do not permit non-qualified service personnel to attempt repairs. There are no user serviceable components inside the brewer. Do not disassemble the brewer.

WARNING

The brewer must only be connected to a three wire 120 VAC, 60 Hz, 15 Amp, electrical circuit.

CAUTION

For indoor use only. Do not install or use outdoors, in moving equipment, or watercraft.

Use the product for its intended purpose only. Any other usage is inappropriate and may be dangerous. The manufacturer assumes no responsibility for injury, loss, or damage resulting from improper machine use.

Brew probes are sharp. To prevent injury, do not place fingers inside the brew chamber.

Risk of burns. The brewer uses 185°F- 200°F water that, if not properly handled, could cause burns. Do not permit children to use this appliance unless there is direct adult supervision. Keep away from pets and other animals.

To avoid the risk of burns, do not operate without bezel installed.

Allow brewer to cool before cleaning or maintaining.

Hot surfaces may cause burns. Do not touch the brewer while in operation.

To prevent scalding by hot water, do not open brew chamber while brewing.

To prevent scalding by hot water, do not move or tilt the brewer. Moving or tilting the brewer could result in water spilling from the reservoir. Internal boiling is possible at high elevations. You must reduce temperature set point below boiling point for your elevation.

To avoid scalding, use appropriate cup rest to minimize splash. Allow a minimum of 1/2" clearance between cup rim and brewer dispense spout to prevent spills when removing a full cup. Center cup with dispense spout while brewing and allow brewer cycle to complete before opening brew chamber or removing cup.

To avoid pinching, keep fingers clear of brew chamber when closing.

NOTICE

For best results, remove used Real Cup™ capsule from brew chamber after each brew is complete.

Avoid spills by not removing the reservoir while Auto-Fill unit is filling; allow filling to complete before removing reservoir.

A qualified professional should perform installation, maintenance and repairs.

Installation, maintenance or repairs by unqualified personnel may damage the brewer and void the manufacturer's warranty.

This equipment must be installed in accordance with the appropriate national and local codes of the country and/or region in which the appliance is installed.

Contact the manufacturer to report any malfunction or damage to the brewer.

When turning the machine off for an extended period, be sure to evacuate the water inside the brewer completely; otherwise the water inside the machine could freeze and lead to damage or cause mold to appear.

To reduce foreign material from entering the brewer, keep brew chamber and reservoir lids closed.

To prevent accidental overfilling of cup, press "BREW" to stop.

General Information

This operating manual includes instructions for using and maintaining your coffee brewer; keep this manual readily available.

After unpacking your brewer, check to ensure that your machine has not been damaged during shipping and includes all components. Notify your service representative regarding any questions or concerns before installing.

During various stages of operation, you may hear normal operating sounds that are unfamiliar. The following noises are normal:

Buzzing/Clicking - Heard when the water pump energizes and/or the three way valve opens and closes to dispense water or direct water to reservoir.

Popping - A damaged RealCup™ capsule could result in a popping sound.

Pulsating/Whirring - Under normal operating conditions, an internal air pump activates at the end of a brewing cycle and you will hear it while energized.

Water running or gurgling - On a pour over installation, you will hear gurgling when reservoir is empty before the end of a brew cycle. On an auto fill installation, you will hear this sound as the brewer automatically refills.

Do not use a damaged RealCup™ capsule or re-insert a capsule that has been previously inserted & removed. This may result in coffee grounds and unwanted material inside the brew chamber and the drinking cup or mug. Damage to RealCup™ capsule can include but is not limited to damage around the edge of the foil seal or denting and deformation of the RealCup™ capsule.

To ensure food safety and proper operation, clean machine regularly following the daily and weekly cleaning instructions. Cleaning and water evacuation instructions are found in the **Cleaning and Maintenance** section of this manual.

When turning off the machine for an extended period, be sure to evacuate the water inside the brewer completely. Otherwise, the water inside the machine could freeze and lead to damage or cause mold to appear.

Water pipe connections and fixtures directly connected to a potable water supply shall be sized, installed, and maintained in accordance with federal, state, and local codes. This product requires an approved back flow prevention device, such as a double check valve, to be installed between the machine and the water supply.

To prevent foreign material from entering the brewer, keep brew chamber and reservoir lid closed.

To ensure proper operation of the electronic controls, do not use reverse osmosis, distilled, or de-ionized water.

The RC400 brewer hot water temperature is factory set at 195°F (90.6°C). If your brewer is operated above 4000 feet in elevation, set point adjustment may become necessary. If the brewer reservoir fogs or experiences hot water dripping into the reservoir, this indicates the set point must be lowered. In addition, if the set point is too high, you could experience less than expected brew volumes.

RC400 Features



Unpacking Your Brewer

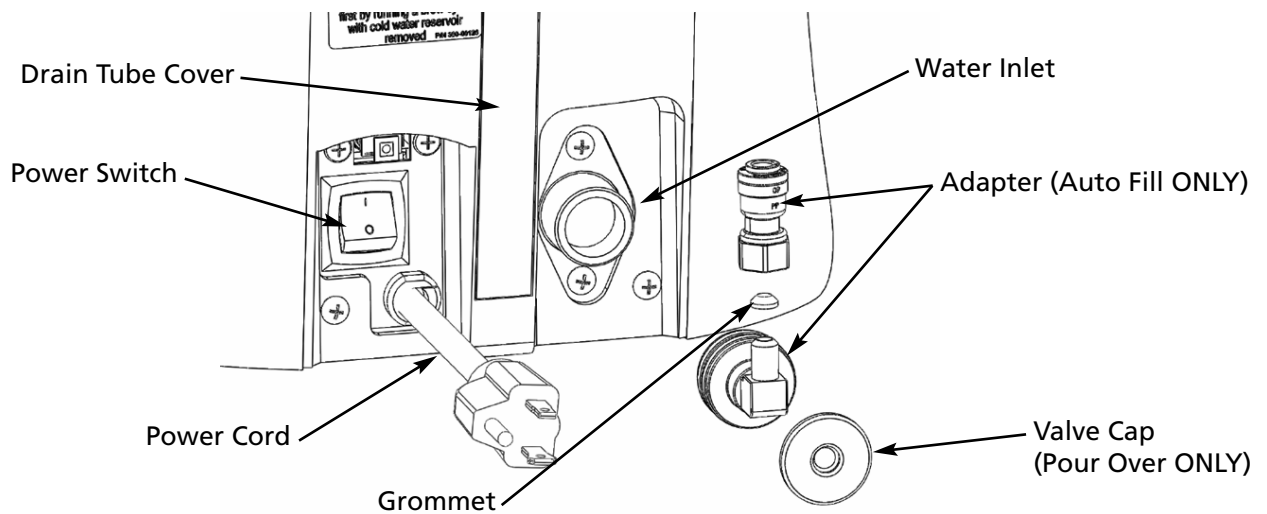
1. Place carton on a table or a stable, firm surface.
2. Open the box. Do not use sharp objects to open the box; doing so could cause damage to the brewer.
3. Remove enclosed protective materials, printed information, and the brewer.
4. Record the serial number on the cover of this manual.
5. After unpacking, check to ensure that your machine has not been damaged during shipping and includes all components.
6. Notify your service representative regarding any questions or concerns before installing.

Installation

Where to Install

Brewer should be installed on a firm, stable, level surface. Keep away from pets. Provide supervision for unattended children and assistance for others that require help to operate the brewer.

Water and Power Inlets



Installation (continued)

Water Supply

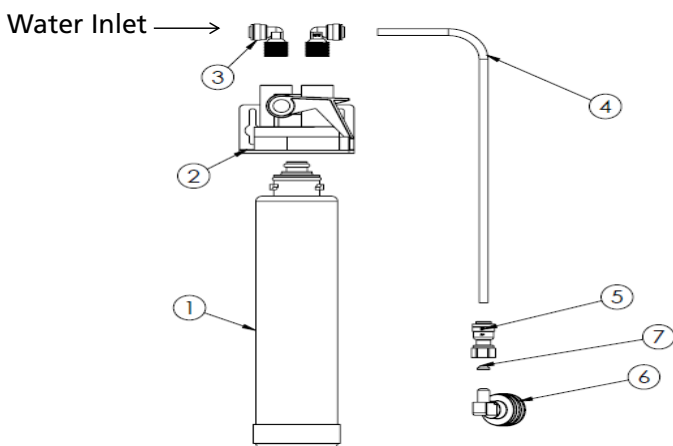
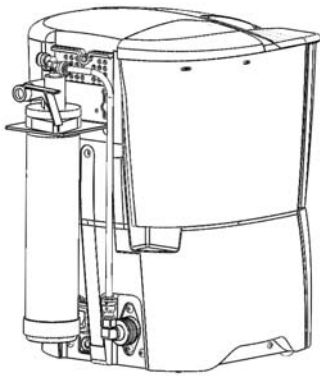
Notice:

The brewer is designed to operate with water pressures from 20 psig up to 100 psig. Grindmaster requires the use of an external water filter such as Water Filter Kit P/N 250-00034. The filter mounts on the rear surface of the brewer.

Water type: To ensure proper operation of the electronic controls, do not use reverse osmosis, distilled, or de-ionized water. Water that does not contain minerals, impurities and other ions will be improperly sensed by the brewer and will cause a malfunction. Use filtered tap water or bottled water. To reduce limescale build-up, do not use mineral water.

Water Filter Kit Installation

Water Filter Kit (part # 250-00034)



NOTE: The filter head QL3B comes with both 359-00004 1/4" tube adapters pre-attached.

Water Filter Installation Instructions

1. Install the filter (420-00000) into the filter head by sliding it into the bottom and turning to lock in place.
2. Attach the filter head to the back of the RC400 on the two pre-installed screws on the back of the unit; slide the filter head over the screw heads and then tighten.
3. Install the fittings (359-00031, 359-00115, and 359-00003) to the water inlet on the back of the RC400.
4. Slide in the tubing (362-00028) to the quick connects on the outlet of the filter (359-00004) and the inlet to the coffee brewer (359-00031).
5. Connect water supply line to the input of the filter head through the quick connect (359-00004).
6. Turn on water supply and check for leaks.
7. Turn on RC400 and enjoy the new filtered water supply.

Item #	Part #	Description
1	420-00000	Filter, PC-WF Coffee Filter
2	280-00010	Filter Head QL3B Single Head
3	359-00004	Fitting 1/4 tube, 3/8 NPTF (2)
4	362-00028	Tubing, 1/4" OD X .180" ID
5	359-00003	Fitting, MUR-LOK 1/4", 1/4" FLARE
6	359-00031	Fitting, ASSY 1/4 FL x 3/4 HS, SS
7	359-00115	Gasket, 1/4" SAE FLARE

Power Supply

- A dedicated 120 VAC, 60 Hz, 15 Amp, type 5-15, electrical circuit is required for proper operation.
- Always unplug machine before servicing or maintaining the machine.
- Place power switch in OFF position and plug power cord into the dedicated three wire 120V, 15A NEMA 5-15 electrical circuit.

⚠ Warning

Disconnect power if the machine functions abnormally and notify qualified service personnel for repairs. Do not permit non-qualified personnel to attempt repairs.

There are no user serviceable components inside the brewer. Do not disassemble brewer.

NOTICE

This appliance is equipped with a three wire power cord. A dedicated three wire 120V, 15A NEMA 5-15 electrical circuit must be used.

Set-Up

Priming the internal heating tank

NOTE: The brewer will not operate until the hot water tank is primed.

Please follow these procedures to ensure proper installation.

Pour Over version

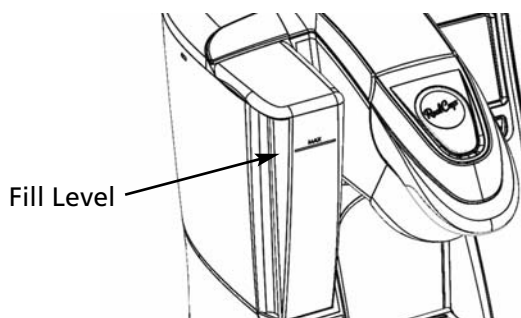
1. Ensure that the water inlet valve cap supplied with the machine is installed on the water inlet valve to prevent leaking.
2. Open reservoir lid.
3. Fill reservoir with tap or bottled water to the level indicated on reservoir. **Do not use distilled water.**
4. Plug unit into a 120V/15 amp receptacle. Turn main power switch to ON.
5. Place a cup in the drip tray of the unit to collect the water from the priming operation.
6. The screen will display "Prime Brewer". Press and release BREW button.
7. Refill the reservoir to the appropriate level.
8. Allow brewer to reach brewing temperature.

Auto-Fill version

1. Plumb water to the fill valve located on the back of the brewer. A ¼" female flare x ¼" tube adapter and a ¼" flare x hose adapter are provided with the brewer. **Do not use reverse osmosis water.**
2. Fill reservoir with tap or bottled water to the level indicated on reservoir. Do not use distilled water.
3. Open water service valve.
4. Plug unit into a 120V/15 amp receptacle. Turn main power switch to ON.
5. Place a cup in the drip tray of the unit to collect the water from the priming operation.
6. The screen will display "Prime Brewer". Press and release BREW button.
7. Allow brewer to reach brewing temperature.

Note: Auto-Fill ONLY

The water is supplied directly to the unit and the water fill level marking is not used. Fill level will vary depending on water pressure. Normal refill level will be below "MAX" line.



Set Point Temperature Adjustment

Enter the settings screen by touching the setting icon (⚙️) on the main screen. Then press the lock icon (🔒) at the lower right to access the advanced settings screen. Enter code. (Default pass code is 0400). Select Water Temperature and adjust using up and down arrows to desired temperature. Unit is factory set at 195°F (90.6°C).

Recommended Set Point °F (°C)	Elevation ft. (M)	City
200 (93)	0	
198 (92)	1000 (305)	
196 (91)	2000 (610)	
195 (90)	3000 (915)	Calgary
193 (89)	4000 (1219)	
191 (88)	5000 (1524)	Denver/Albuquerque
189 (87)	6000 (1828)	Colorado Springs
187 (86)	7000 (2134)	Santa Fe
185 (85)	8000 (2438)	

Operation

Your new coffee brewer is easy to operate and maintain. Keep this manual in a convenient place for ready reference.

⚠ CAUTION

Brew probes are sharp. To prevent injury, do not place fingers inside the brew chamber. To prevent accidental overflow, press "BREW" to stop.



Step 1 – Lift brew chamber lid



Step 2 – Insert RealCup™ capsule



Step 3 – Close brew chamber



Step 4 – Select settings



Step 5 – Place cup & press brew button



Step 6 – Remove RealCup™ capsule and enjoy

Operation (continued)

Brew Button Color

RED-BLUE-GREEN: Color start up sequence.

RED: Pulses during heating cycle. Light flashes if there is a fault.

YELLOW: Steady on when brew chamber is open.

GREEN: Steady on when ready to brew or at end of brew. Pulses while brewing.

ORANGE: Fresh capsule must be loaded before brewing.

BLUE: Reservoir low or descaling operation in progress.

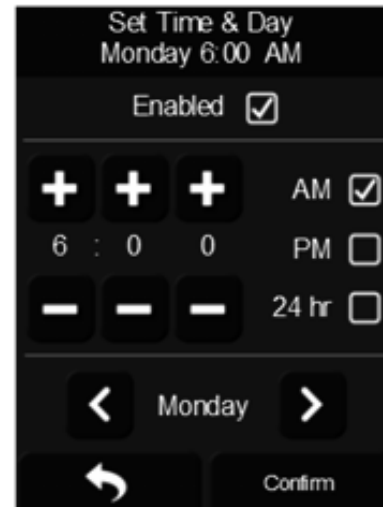
Topping off the brew – After step 5 is completed, if more hot water is desired, press and hold the brew button until the desired extra hot water is dispensed. When proper hot water level is achieved, release brew button.

Settings Screen



Set up Screen: Provides access to Power Down, Language changes, Time/Day set up, Auto On/Off changes, Energy Save, Water Tank Light, Service Contact, Descale Brewer, and Restore Factory Defaults (ONLY FOR SERVICE PERSONNEL). Home button at bottom left returns user to "Lift to Brew" screen. The lock button at lower right enters the advanced setting screen (pass code protected). **Default pass code is 0400.** If passcode is lost, a factory reset must be performed.

There are six settings screens. The screens are Language, Time/Day, Turn Brewer On At, Turn Brewer Off At, Energy Save, Water Tank Light. The arrow button at the bottom left returns to previous settings screen without saving changes. The Confirm button saves changes and returns to previous setting screen.



Screen Types

There are three types of screens:

1. Lift to Brew ("HOME") screen with rotating product and ingredient images.
2. Message screen: These images provide an instruction for the user and/or provide status of an internal process that needs to take place before brewing a beverage.
 - Lift to Brew
 - Heating Please Wait
 - Press Brew Button to Pause
 - Brewing Complete
 - Insert Real-Cup™ capsule
 - Close Brew Chamber
3. Alert screen: Action related screens require the user to perform an action. If this action is not performed, the brewer will not properly function.
 - Prime Brewer
 - Refill Water Tank
 - Make Sure Water Tank Is Properly Positioned
 - Error: Brew Chamber Opened
 - Water Flow Error
 - Water Too Hot
 - Water Not Heating
 - Critical Fault

Operation (continued)

If the action screen has a red exclamation mark, call service provider. If it is yellow, user action is required.



- Ensure surrounding surfaces and under the brewer are cleaned regularly to prevent the attraction of vermin and bacteria growth from spilled coffee and sugars.

Draining:

This action will clear water from the brewer. Do not place brewer or individual parts into a dishwasher.

1. Power off brewer. Allow brewer to cool. Close water supply valve (Auto-Fill only) and disconnect water line.
2. Remove and empty reservoir.
3. Remove back panel, uncap drain line and drain tank. Recap and replace back panel.
4. Turn on brewer.
5. Place a cup under the brew chamber, hold down reservoir detection switch and start a brew sequence.
6. Continue brew sequence until water stops flowing into the cup or until Water Flow Error is displayed.

Descaling: This action will help remove hard water deposits. **Process will take approximately 3.5 hours** and requires 72 oz. of distilled vinegar. Do not place brewer or individual parts into a dishwasher.

The frequency of descaling depends on the level of mineral content of your water. This is why we recommend using filtered or bottled water. Calcium deposits or scale may build up in your brewer and hinder your brewer performance. Regularly descaling your brewer every 3 to 6 months helps prevent this from occurring; however, if you feel that your water has a higher level of mineral content, then you should consider descaling more often.

Cleaning & Maintenance

▲ DANGER

To prevent electrical shock, do not immerse machine in water.

▲ CAUTION

Brew probes are sharp. To prevent injury, do not place fingers inside the brew chamber. To reduce foreign material from entering the brewer, keep brew chamber and reservoir lids closed.

Cleaning Instructions

Daily cleaning:

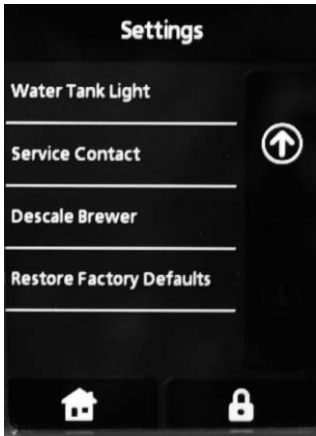
- To ensure food safety and proper operation, empty the drip tray as needed and wash in a solution of dish detergent and water, rinse thoroughly.
- All external surfaces can be cleaned with a soft, damp cloth. Do not use any abrasives. They will scratch the external surfaces.
- Do not place brewer or individual parts into a dishwasher.

Weekly cleaning:

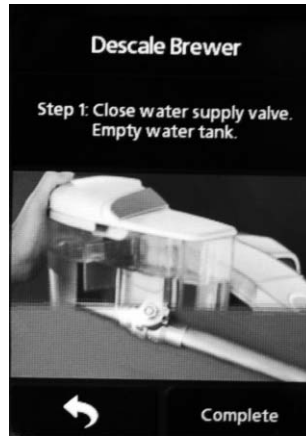
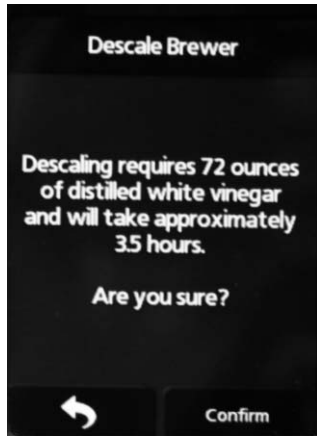
- Remove and empty the reservoir tank and wash in a solution of dish detergent and water, rinse thoroughly.

Cleaning and Maintenance (continued)

Descaling (continued):



From Settings, select Descal Brewer.



Step 1 – Close water supply valve (Auto-Fill models only). Empty reservoir. Empty brew chamber.



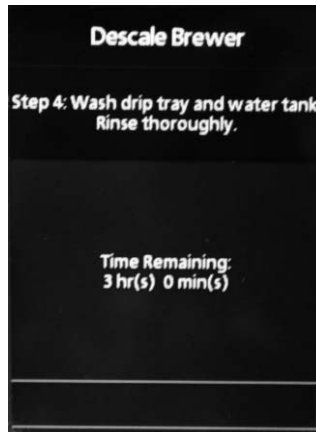
Step 2 – Add 72 oz. of distilled white vinegar to reservoir.



Step 3 – Place 14 oz. or larger container and press brew button.



When directed, empty container, replace and press brew button to continue. (6 total)



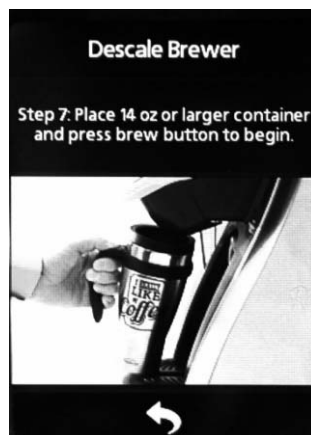
Step 4 – Wash drip tray and reservoir. Rinse thoroughly. Wait 3 hours.



Step 5 – Remove back panel, uncap and drain tank. Recap and replace back panel.



Step 6 – Open water supply valve (Auto-Fill only). Fill reservoir with fresh water.



Step 7 – Place 14 oz. or larger container and press brew button. When directed, empty container, replace and press brew button to continue. (6 total)



Flush with 12 oz. brews if normal taste and smell have not returned.

Cleaning and Maintenance (continued)

Probe cleaning instructions:

Follow this procedure only if you are experiencing trouble with the brewer. Do not place brewer or individual parts into a dishwasher.

⚠ CAUTION

Brew probes are sharp. To prevent injury, do not place fingers inside the brew chamber. Use extreme caution cleaning probes.

Upper probe cleaning:

1. Gently insert clean, straightened paper clip no more than 1/4 inch into upper dispense probe.
2. Rinse thoroughly by dispensing hot water without a capsule.

Lower probe cleaning:



1. Remove Capsule Holding Assembly from tray.
2. Twist apart Capsule Holder Assembly.
3. Insert paper clip into lower probe from bottom side.
4. Rinse thoroughly.
5. Re-assemble capsule holder assembly and snap firmly into place on brewer tray.

Troubleshooting Guide

Before you call for help, please read the following:

▲ WARNING Brew probes are sharp. To prevent injury, do not place fingers inside the brew chamber. To reduce foreign material from entering the brewer, keep brew chamber and reservoir lids closed.

Problem	Possible Cause	Solution
No power		Verify unit is plugged into a 120V/15 amp rated outlet and power switch is in the ON position.
Message to refill water tank	(Pour Over model ONLY) (Auto-Fill model ONLY)	Add water to proper level on reservoir. Make sure that the water shut off valve is opened. Turn brewer off and restart, using power switch at rear of brewer.
Brew volume is less than normal		Adjust volume of beverage on screen. If error persists, perform descaling procedure.
Water drips from machine when not brewing		Ensure reservoir tank is not filled above maximum fill level. Perform descaling procedure. Call service technician.
Water drips from machine (Pour Over model ONLY)		If Pour Over model, ensure the water inlet valve is capped with the cap that has been provided with the brewer.
Water leaks from machine while brewing		Remove drain tube cover and verify that the drain line is properly plugged.
Red light flashes continuously		Turn off power button for 5 seconds. If it continues to flash, contact service technician.
Will not sense unit is primed	Water conductivity is too low for level sensing circuit	Do not use Reverse Osmosis, Deionized, or distilled water.
Unit overheats or boils	Temperature setpoint is too high	Reduce temperature setpoint 10 degrees and re-check.
Capsule ruptures	Clogged outlet probe	Clean outlet probe with a paper clip and rinse thoroughly. Follow Probe Cleaning instructions in Cleaning and Maintenance section.
	Faulty capsule seals	Determine if isolated to specific product capsules. Change brand if needed. Do not use capsule brands which are prone to rupture.
	Water temperature too high for filter paper	Reduce water temperature setting by at least 10 degrees.
	Capsule holder is not snapped into tray correctly	Ensure capsule holder is completely snapped into tray.
	Chamber cover was opened and closed without changing the capsule	Check for torn capsule foil where probe punctures foil. Avoid opening and closing chamber cover to prevent double puncturing of capsules.
	Large coffee capacity capsules swell and rupture on large volume setting	Remove large volume setting from menu. Prevent usage of troublesome capsules.
Water drips from brew chamber area while brewing	Water is leaking from inlet seal	Ensure upper inlet seal pad is installed correctly.
Display indicates replace reservoir	Reservoir not installed correctly	Ensure reservoir is installed flush to left side of brewer to ensure engagement of presence switch.
Display indicates low or no water	Missing level float in reservoir Water supply turned off to machine Machine is awaiting manual refill	Replace float in reservoir. Restore water supply to machine. Refill reservoir manually.

Troubleshooting Guide (continued)

Before you call for help, please read the following:

▲ WARNING Brew probes are sharp. To prevent injury, do not place fingers inside the brew chamber. To reduce foreign material from entering the brewer, keep brew chamber and reservoir lids closed.

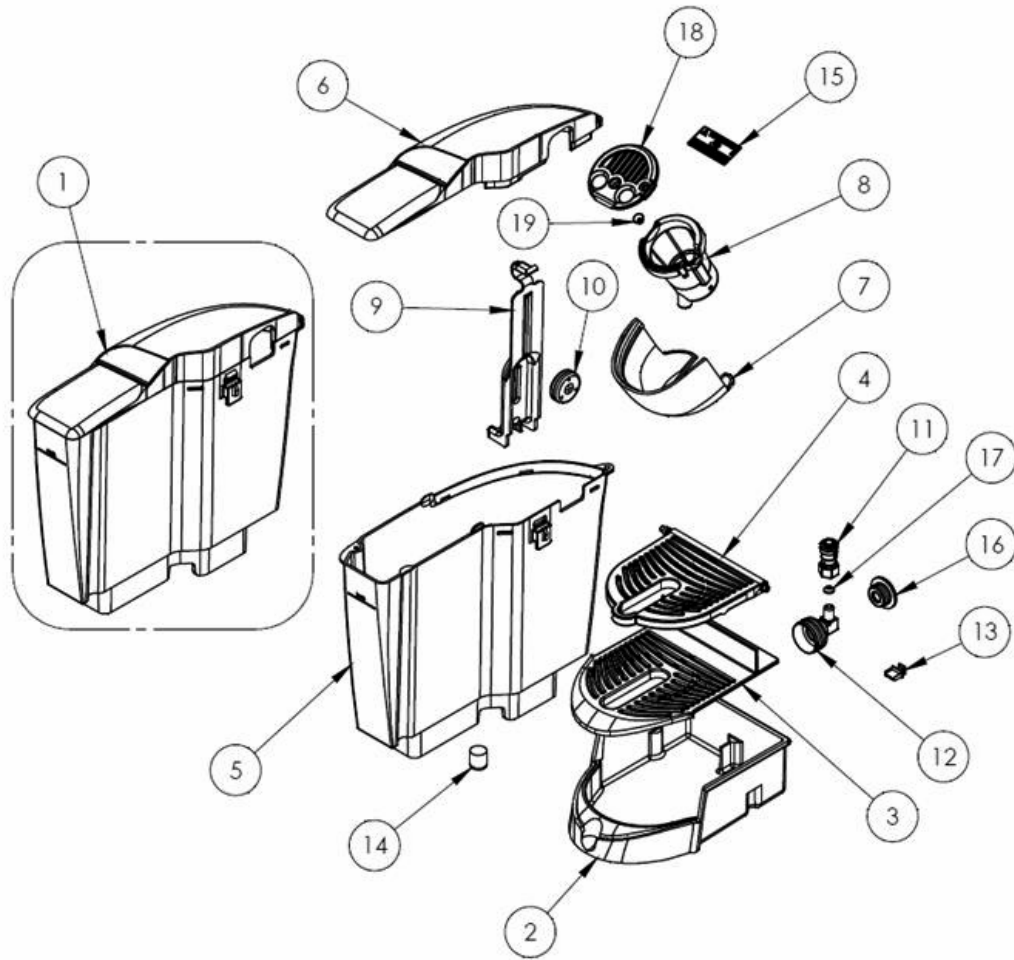
Problem	Possible Cause	Solution
Brew chamber opens while brewing	Capsule holder is not snapped into tray correctly Brew chamber was not fully latched	Ensure capsule holder is completely snapped into tray. Ensure the latch is snapped into position during closure.
Clear water is dispensed during brewing	Inlet or outlet port may be clogged with coffee grounds Inlet probe is not properly puncturing capsule foil	Insert a straightened paper clip into the upper dispense probe no more than 1/4 inch to gently remove blockage. On capsule holder, remove holder from tray and remove lower housing from upper housing. Insert the straightened paper clip into the lower probe from the bottom side to remove any blockage and re-assemble. Try different brand of capsule.
Water from Hot water dispense selection is not clear water	Brewing Hot water rinses out the capsule holder of any previously dispensed products.	Perform a hot water rinse and discard water if more pure hot water is desired. Regularly clean brew chamber and upper inlet seal pad.
Critical fault after priming	Open thermistor sensed	Allow machine to reach room temperature for 1/2 hour. Cycle power switch and check for proper operation.
Low flow indication	Reservoir low and reservoir float not in position Unit exposed to freezing temperatures (Plumbing system is frozen)	Confirm water level float is in position and has not been dislodged during shipping or not replaced after cleaning. Allow unit to reach room temperature to allow internal plumbing to thaw. Power off then on to determine if any permanent damage has been done.

If you still need help, call GMCW Technical Service Department, (502) 425-4776 or (800) 695-4500 (USA & Canada only) (Monday through Friday 8 AM - 6 PM EST). Please have the model and serial number ready so that accurate information can be given.

Prior authorization must be obtained from GMCW for all warranty claims.

GMCW provides the industry's BEST warranty. Visit our website at GMCW.com for warranty terms and conditions.

Parts Diagram and List



Item #	Part Number	Description	QTY.
1	230-00001	Reservoir Assembly	1
2	210-00030	Drip Tray - Single Cup	1
3	210-00031	Grid - Single Cup	1
4	230-00004	Flip Down Grid Assembly	1
5	210-00051	Reservoir	1
6	230-00044	One-Piece Reservoir Lid Assembly	1
7	210-00004	Bezel	1
8	230-00015	Capsule Holder Assembly	1
9	210-00052	Float Guide	1
10	230-00021	Float Assembly	1
11	359-00003	Fitting, Mur-Lok 1/4", 1/4" Flare	1
12	359-00031	Fitting Assembly, 1/4" FL x 3/4" GHT, SS	1
13	B256A	Cover, USB Port	1
14	280-00001	Check Valve, DW15	1
15	380-00020	Warning Label, Hot Liquid	1
16	210-00235	Cap, Molded Inlet Valve	1
17	359-00115	Gasket, 1/4" SAE Flare	1
18	210-00283	Pad, Single Cup Inlet Seal	1
19	210-00023	Seal, Lower Probe	1

GMCW

4003 Collins Lane, Louisville, KY 40245 USA
Phone: 502.425.4776 Toll Free: 800.695.4500
Fax: 502.425.4664
Web: gmcw.com Email: info@gmcw.com

2013 GMCW
Printed in Thailand

0515 Form # BW-305-03
Part # 390-00005

Infusor para una sola taza

Modelo RC400



Modelo RC400



Índice	
Especificaciones.....	18
Precauciones de seguridad.....	18
Información general.....	20
Desembalaje del infusor.....	21
Instalación.....	21
Configuración.....	23
Instrucciones de uso.....	24
Limpieza y mantenimiento.....	26
Solución de problemas.....	29
Piezas de repuesto que puede reemplazar el usuario.....	31

Gracias por adquirir el infusor para una sola taza RC400. Para proteger su seguridad y la seguridad de los demás, lea todas las advertencias y el manual del operador antes de instalar o utilizar el producto. Para cualquier referencia futura, registre el número de serie a continuación:

GMCW

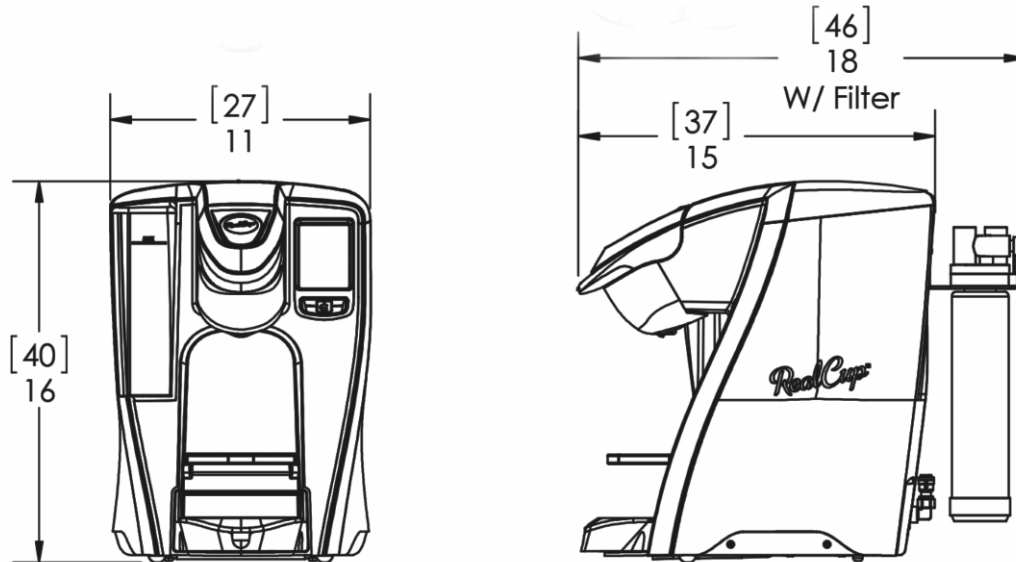
4003 Collins Lane, Louisville, KY 40245 Estados Unidos
 Phone: 502.425.4776 Toll Free: 800.695.4500
 Fax: 502.425.4664
 Web: gmcw.com Email: info@gmcw.com

Consulte GMCW.com para conocer la información actualizada sobre la garantía.



Especificaciones

Modelo	Descripción	Eléctrico
RC400	Infusor para una sola taza- 72oz. (2.13 L) Capacidad del depósito. CNSFUS Eléctrico, NSF Certificación	120V / 1550 W / 13A / 1 Ph



pulgadas [cm]

Gracias por adquirir el infusor para una sola taza RC400. Esta máquina es un infusor comercial/residencial con control digital, que permite preparar una taza a la vez. El infusor está diseñado para que se utilice de manera óptima con las cápsulas RealCup™ y es compatible con las cápsulas Keurig®* K-Cup®*.

El infusor para una sola taza se puede instalar de manera fija a un suministro de agua potable. Si no hay un sistema de suministro de agua disponible, el infusor puede utilizarse como infusor para verter por encima. El infusor requiere una fuente de energía exclusiva de 15 A, 120 V y 60 Hz. Si el infusor está instalado de manera fija, se llenará el depósito automáticamente. Si se utiliza como infusor para verter por encima, el usuario debe volver a llenar el depósito manualmente según sea necesario.

El principio de funcionamiento de esta máquina es el siguiente: el usuario coloca una taza para café en la bandeja escurridora (o plegable) y, luego, introduce una cápsula RealCup™ nueva en la cámara de infusión. A continuación, el usuario cierra la cámara y selecciona su bebida y el tamaño que desea en la pantalla de la interfaz del usuario. Después de realizar estas selecciones, pulsa el botón de infusión. El infusor está diseñado para dispensar 4, 6, 8, 10, 12 y 16 onzas líquidas (118, 177, 237, 296, 355 y 473 ml). El volumen que realmente se dispensa es aproximadamente un 10% menor para permitir el agregado de leche, crema o endulzante, si se desea.

*La marca RealCup™ no tiene afiliación alguna con K-Cup® o Keurig Inc. Keurig® y K-Cup® son marcas comerciales registradas de Keurig Inc.

Precauciones de seguridad

Información importante sobre seguridad



Este es el símbolo de alerta de seguridad. Se utiliza para advertirle sobre posibles peligros de lesiones personales. Para evitar posibles lesiones o la muerte, obedezca todos los mensajes de seguridad que tengan este símbolo.

Para proteger su seguridad y la seguridad de los demás, lea todas las advertencias y el manual del operador antes de instalar o utilizar el producto.

PELIGRO: Este término advierte al usuario sobre un peligro inminente que provocará lesiones graves o la muerte.

ADVERTENCIA: Este término se refiere a un peligro posible o a una práctica poco segura, que podrían dar como resultado lesiones graves.

Precauciones de seguridad (continuación)

ATENCIÓN: Este término se refiere a un peligro posible o a una práctica poco segura, que podrían dar como resultado lesiones leves o moderadas o daños a la propiedad.

AVISO: Este término se refiere a la información que requiere especial atención y que debe comprenderse plenamente.

PELIGRO

Para evitar posibles casos de electrocución, quemaduras u otras lesiones e impedir que el infusor se dañe, no lo sumerja en agua ni en líquidos de limpieza.

No opere un infusor averiado. Controle el cable de alimentación y el suministro de agua con frecuencia. Si el cable o el enchufe están dañados o desgastados, no utilice el infusor. Apague el suministro de agua y desconecte la energía eléctrica.

Apague y desenchufe el infusor antes de la limpieza o el mantenimiento.

Riesgo de asfixia. El embalaje del producto contiene una bolsa de plástico. Mantenga las bolsas de plástico fuera del alcance de los niños.

Si la máquina funciona de manera anormal, desconecte la energía eléctrica y notifique al personal de mantenimiento calificado para que realice las reparaciones pertinentes. No permita que personal de mantenimiento no calificado intente hacer reparaciones. El infusor no contiene componentes que el usuario pueda reparar. No lo desmonte.

ADVERTENCIA

El infusor solo debe conectarse a un circuito eléctrico de 120 V CA, 60 Hz y 15 A de tres hilos.

ATENCIÓN

El infusor es solo apto para uso en interiores. No lo instale ni lo utilice al aire libre, en equipos en movimiento ni en embarcaciones.

Utilice el producto únicamente para los fines previstos. Cualquier otro uso es inadecuado y puede ser peligroso. El fabricante no asume ninguna responsabilidad por lesiones, pérdidas o daños que se produzcan a partir del uso incorrecto de la máquina.

Las sondas de infusión son filosas. Para evitar lesiones, no coloque los dedos en el interior de la cámara de infusión.

Riesgo de quemaduras. El infusor utiliza agua a una temperatura de 185 °F a 200 °F, por lo que, si no se opera de manera adecuada, podría provocar quemaduras. No permita que los niños usen este aparato, a menos que estén bajo la supervisión directa de un adulto. Manténgalo fuera del alcance de mascotas y otros animales.

Para evitar el riesgo de quemaduras, no opere el infusor sin el bisel instalado.

Antes de la limpieza o el mantenimiento, deje enfriar el infusor.

Las superficies calientes pueden provocar quemaduras. No toque el infusor mientras esté en funcionamiento.

Para evitar quemaduras con agua caliente, no abra la cámara de infusión durante la preparación.

Para evitar quemaduras con agua caliente, no mueva ni incline el infusor. Mover o inclinar el infusor podría ocasionar que se derrame agua del depósito. Es posible que se produzca ebullición interna a altitudes elevadas.

Debe disminuir el punto de ajuste de temperatura por debajo del punto de ebullición según la altitud a la que se encuentre.

Para minimizar las salpicaduras y evitar quemaduras, utilice el apoyo adecuado. Para evitar derrames cuando retire una taza llena, deje un espacio de ½" como mínimo entre el borde de la taza y la boquilla vertedora del infusor. Durante la preparación, coloque la taza en el centro, debajo de la boquilla vertedora, y deje que finalice el ciclo del infusor antes de abrir la cámara de infusión o de retirar la taza.

Mantenga los dedos alejados de la cámara de infusión cuando la cierre, para evitar pellizcos.

Precauciones de seguridad (continuación)

AVISO

Para obtener mejores resultados, retire la cápsula RealCup™ usada de la cámara de infusión después de finalizar cada preparación.

Para evitar derrames, no retire el depósito mientras se esté llenando la unidad de llenado automático. Deje finalizar el llenado antes de extraer el depósito.

Solo un profesional calificado debe realizar la instalación, el mantenimiento y las reparaciones.

La instalación, el mantenimiento o las reparaciones por parte de personal no calificado pueden dañar el infusor y anular la garantía del fabricante.

Este equipo debe instalarse de acuerdo con los códigos nacionales y locales correspondientes que rijan en el país o en la región donde se instale el aparato.

Comuníquese con el fabricante para informar cualquier mal funcionamiento o avería del infusor.

Cuando apague la máquina durante un período prolongado, asegúrese de retirar el agua del interior del infusor por completo; de lo contrario, el agua podría congelarse dentro de la máquina y provocar daños o la aparición de moho.

Para reducir el ingreso de materiales extraños en el infusor, mantenga cerradas las tapas de la cámara de infusión y del depósito.

Para evitar que la taza se desborde accidentalmente, pulse el botón de infusión para detener la preparación.

Información general

Este manual de uso incluye instrucciones para utilizar y realizar el mantenimiento del infusor. Guarde este manual a mano.

Después de desembalar el infusor, compruebe que no haya sufrido daños durante el envío y que incluya todos los componentes. Si tiene alguna pregunta o inquietud antes de instalar el infusor, notifique al representante de servicio al cliente.

Tenga en cuenta que el material de embalaje puede ser peligroso. Manténgalo fuera del alcance de los niños y deséchelo de inmediato.

Durante varias de las etapas de uso, es posible que oiga sonidos normales del funcionamiento que no le resulten familiares. Los siguientes sonidos son normales:

Zumbido/chasquido: Se produce cuando se activa la bomba de agua o cuando la válvula de tres vías se abre y se cierra para dispensar agua o para enviar agua al depósito.

Estallido: Cuando se daña una cápsula RealCup™, esto podría generar un sonido de estallido.

Pulsación/silbido: En condiciones normales de funcionamiento, se produce este sonido cuando se activa una bomba de aire interna al final de un ciclo de preparación.

Flujo de agua/gorgoteo: En una instalación para verter por encima, se puede oír un gorgoteo cuando el depósito está vacío antes del final de un ciclo de preparación. En una instalación de llenado automático, se puede oír este sonido cuando se llena el infusor automáticamente.

No utilice una cápsula RealCup™ dañada, ni vuelva a introducir una cápsula que se haya introducido y retirado anteriormente. Esto puede producir que queden granos de café y materiales no deseados en el interior de la cámara de infusión y en la taza o jarra. Los daños en la cápsula RealCup™ pueden ser averías

alrededor del borde de la tapa de papel aluminio o abolladuras y deformaciones en la cápsula RealCup™, entre otros.

Para garantizar la seguridad de los alimentos y un funcionamiento adecuado, limpie la máquina de manera regular, de acuerdo con las instrucciones de limpieza diaria y semanal. Las instrucciones de limpieza y evacuación del agua se encuentran en la sección **"Limpieza y mantenimiento"** de este manual.

Cuando apague la máquina durante un período prolongado, asegúrese de vaciar el agua del interior de los tubos por completo. De lo contrario, el agua que quede en el interior de la máquina podría congelarse y provocar daños o la aparición de moho.

Los accesorios y las conexiones de la tubería de agua que estén conectados directamente a un suministro de agua potable deben ser del tamaño indicado en los códigos federales, estatales y locales, y deben instalarse y mantenerse de acuerdo con ellos. Este producto requiere que se instale un dispositivo antirretorno aprobado, como una válvula de retención doble, entre la máquina y el suministro de agua.

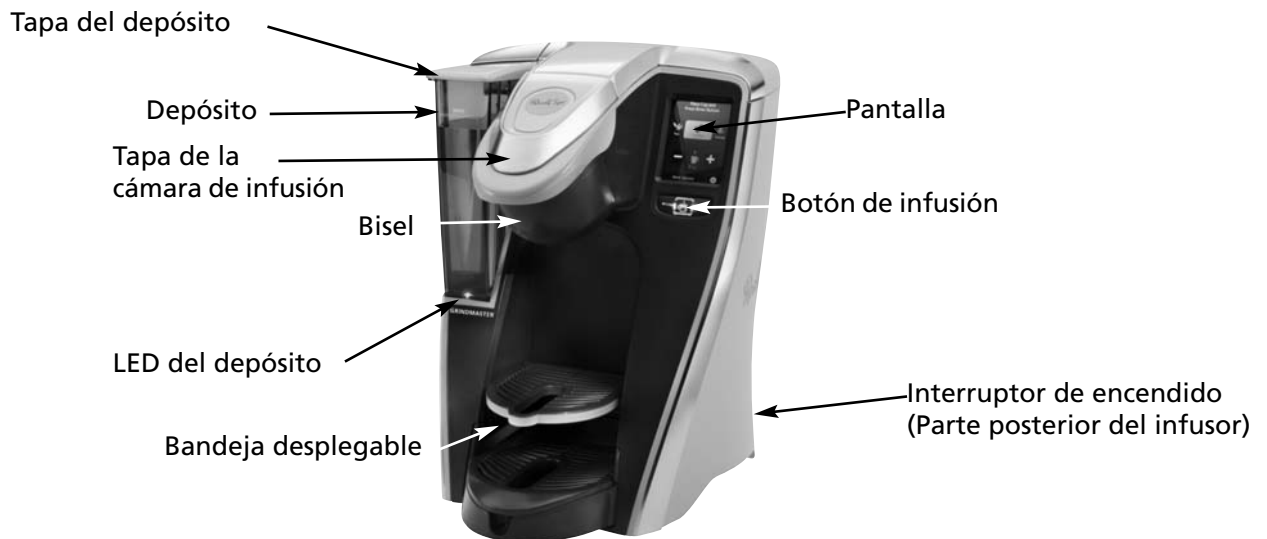
Para evitar que ingresen materiales extraños en el infusor, mantenga cerradas las tapas de la cámara de infusión y del depósito.

Para garantizar el funcionamiento adecuado de los controles electrónicos, no utilice agua de ósmosis inversa, destilada o desionizada. La configuración de fábrica de la temperatura del agua caliente del infusor RC400 es de 195°F (90.6°C). Si se utiliza el infusor a más de 4000 pies de altitud, es posible que sea necesario modificar el punto de ajuste. Si el depósito del infusor se empaña o si gotea agua caliente en el depósito, esto indica que se debe bajar el punto de ajuste. Además, si el punto de ajuste es demasiado elevado, podría obtener volúmenes de infusión menores de los esperados.

Desembalaje del infusor

1. Coloque la caja sobre una mesa o sobre una superficie estable y firme.
2. Abra la caja. No utilice objetos punzantes para abrir la caja, ya que esto podría dañar el infusor.
3. Retire los materiales de protección incluidos, la información impresa y el infusor.
4. Registre el número de serie que se encuentra en la contratapa de este manual.
5. Después de desembalar el infusor, compruebe que no haya sufrido daños durante el envío y que incluya todos los componentes.
6. Si tiene alguna pregunta o inquietud antes de instalar el infusor, notifique al representante de servicio al cliente.

Características del modelo RC400



Instalación

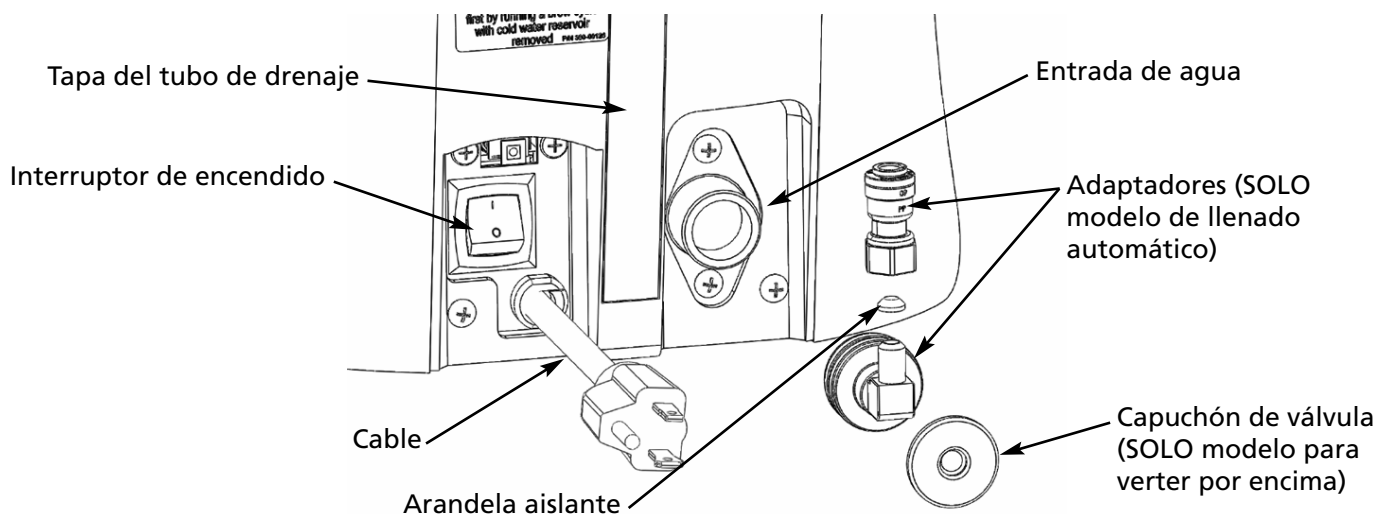
Lugar de instalación

El infusor debe instalarse en una superficie firme, estable y nivelada.

Manténgalo fuera del alcance de las mascotas.

Supervise a los niños y brinde asistencia a las demás personas que necesiten ayuda para utilizar el infusor.

Entradas de agua y energía



Instalación (continuación)

Suministro de agua

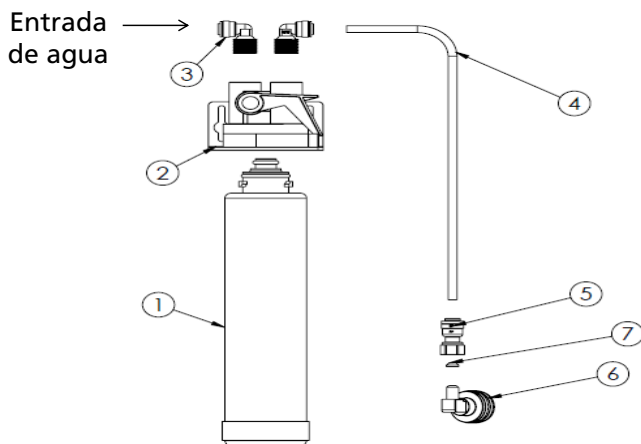
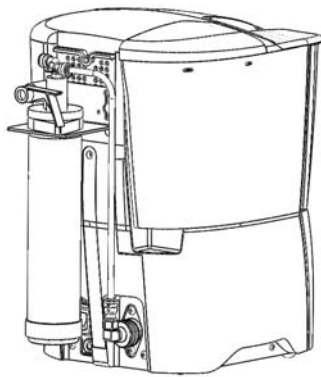
AVISO:

El infusor está diseñado para funcionar con presiones de agua de 20 a 100 psig. El infusor Grindmaster requiere el uso de un filtro de agua externo, como el kit de filtros de agua P/N 250-00034. El filtro se instala en la superficie posterior del infusor.

Tipo de agua: Para garantizar el funcionamiento adecuado de los controles electrónicos, no utilice agua de ósmosis inversa, destilada o desionizada. El infusor no detectará adecuadamente el agua sin minerales, impurezas y otros iones, y no funcionará correctamente. Utilice agua corriente filtrada o agua embotellada. Para reducir la acumulación de sedimentación, no utilice agua mineral.

Instalación del kit de filtro de agua

Kit de filtro de agua (pieza n.º 250-00034)



NOTA: El cabezal de filtro QL3B incluye ambos adaptadores de tubo 359-00004 de 1/4" colocados previamente.

Instrucciones de instalación del filtro de agua

1. Deslice el filtro (420-00000) dentro del cabezal de filtro hasta la parte inferior y gírelo para fijarlo en su lugar e instalarlo.
2. Adhiera el cabezal de filtro a la parte posterior del infusor RC400 en los dos tornillos instalados previamente en la parte trasera de la unidad; coloque el cabezal de filtro sobre las cabezas de los tornillos y ajuste.
3. Instale las conexiones (359-00031, 359-00115 y 359-00003) en la entrada de agua, en la parte posterior del RC400.
4. Coloque el tubo (362-00028) a los conectores rápidos de la salida del filtro (359-00004) y la entrada del infusor de café (359-00031).
5. Conecte el sistema de suministro de agua a la entrada del cabezal de filtro mediante el conector rápido (359-00004).
6. Abra el suministro de agua y compruebe que no existan filtraciones.
7. Encienda el infusor RC400 y disfrute del nuevo suministro de agua filtrada.

N.º DE ARTÍCULO	N.º DE PIEZA	DESCRIPCIÓN
1	420-00000	Filtro, filtro para café PC-WF
2	280-00010	Cabezal de filtro QL3B (un solo cabezal)
3	359-00004	Conexión de tubo 1/4", rosca NPTF 3/8"
4	362-00028	Tubo, 1/4" OD X .180" ID
5	359-00003	Conexión MUR-LOK de 1/4", tuerca abocinada de 1/4"
6	359-00031	Conexión de montaje con tuerca abocinada de 1/4" x acople de manguera de 3/4"
7	359-00115	Junta de tuerca abocinada SAE de 1/4"

Instalación (continuación)

Suministro de energía

⚠ PELIGRO

Si la máquina funciona de manera anormal, desconecte la energía eléctrica y notifique al personal de mantenimiento calificado para que realice las reparaciones pertinentes. No permita que personal de mantenimiento no calificado intente hacer reparaciones. El infusor no incluye componentes que el usuario pueda reparar. No lo desmonte.

AVISO

Este aparato está equipado con un cable de tres hilos. Se debe utilizar un circuito eléctrico exclusivo de tres hilos NEMA 5-15 de 120 V y 15 A.

- Para que el funcionamiento sea correcto, se requiere un circuito eléctrico exclusivo de 120 V CA, 60 Hz y 15 A, tipo 5-15.
- Siempre desenchufe la máquina antes de que se realicen reparaciones o el mantenimiento del aparato.
- Coloque el interruptor de encendido en la posición OFF (Apagado) y enchufe el cable al circuito eléctrico exclusivo de tres hilos NEMA 5-15 de 120 V y 15 A.

Configuración

Cebado del tanque de calentamiento interno

NOTA: El infusor no funcionará hasta que el tanque de agua caliente se haya cebado.

Para asegurarse de que la instalación sea correcta, siga estos procedimientos.

Versión para verter por encima

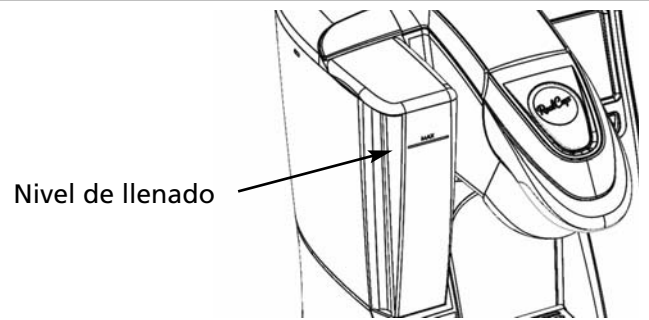
1. Asegúrese de que el capuchón de la válvula de entrada de agua, proporcionado con la máquina, esté instalado en la válvula de entrada de agua para evitar filtraciones.
2. Abra la tapa del depósito.
3. Llene el depósito con agua corriente o embotellada hasta el nivel indicado en el depósito. **No utilice agua destilada.**
4. Enchufe la unidad en un tomacorriente de 120 V/15 A. Coloque el interruptor de encendido principal en la posición ON (Encendido).
5. Coloque una taza en la bandeja escurridora de la unidad para recoger el agua de la operación de cebado.
6. La pantalla mostrará "Prime Brewer" (Cebado infusor). Pulse el botón de infusión hasta que el agua comience a verterse en la taza.
7. Vuelva a llenar el depósito hasta el nivel correspondiente.
8. Deje que el infusor llegue a la temperatura de infusión.

Versión de llenado automático

1. Conecte el agua a la válvula de llenado que se encuentra en la parte posterior del infusor. El infusor incluye una tuerca abocinada hembra de ¼" con adaptador de tubo de ¼", además de una tuerca abocinada hembra de ¼" con adaptador de manguera. **No utilice agua de ósmosis inversa.**
2. Llene el depósito con agua corriente o embotellada hasta el nivel indicado en el depósito. **No utilice agua destilada.**
3. Abra la válvula del suministro de agua.
4. Enchufe la unidad en un tomacorriente de 120 V/15 A. Coloque el interruptor de encendido principal en la posición ON (Encendido).
5. Coloque una taza en la bandeja escurridora de la unidad para recoger el agua de la operación de cebado.
6. La pantalla mostrará "Prime Brewer" (Cebado infusor). Pulse el botón de infusión hasta que el agua comience a verterse en la taza.
7. Deje que el infusor llegue a la temperatura de infusión.

Nota: SOLO modelo de llenado automático

El agua se suministra directamente a la unidad, y no se utiliza la marca del nivel de llenado de agua. El funcionamiento no se ve afectado si el agua está por debajo de la línea de llenado.



Ajuste de temperatura del punto de configuración

Punto de ajuste recomendado en °F (°C)	Altitud en ft. (M)	Ciudad
200 (93)	0	
198 (92)	1000 (305)	
196 (91)	2000 (610)	
195 (90)	3000 (915)	Calgary
193 (89)	4000 (1219)	
191 (88)	5000 (1524)	Denver/Albuquerque
189 (87)	6000 (1828)	Colorado Springs
187 (86)	7000 (2134)	Santa Fe
185 (85)	8000 (2438)	

Configuración (continuación)

Ajuste de temperatura del punto de configuración

Toque el icono de configuración (⚙️) en la pantalla principal para acceder a la pantalla de configuración. A continuación, pulse el icono del candado (🔒) en la parte inferior derecha para acceder a la pantalla de configuración avanzada. Ingrese la contraseña (la contraseña predeterminada es 0400). Seleccione "Water Temperature" (Temperatura del agua) y use las flechas hacia arriba y hacia abajo para seleccionar la temperatura deseada. La unidad está configurada de fábrica a 195°F (90.6°C).

Instrucciones de uso

Su nueva cafetera de café es fácil de operar y mantener. Conserve este manual en un lugar conveniente para facilitar consulta.

⚠️ ATENCIÓN

Las sondas de infusión son filosas. Para evitar lesiones, no coloque los dedos en el interior de la cámara de infusión. Para evitar derrames accidentales, pulse el botón de infusión para detener la preparación.



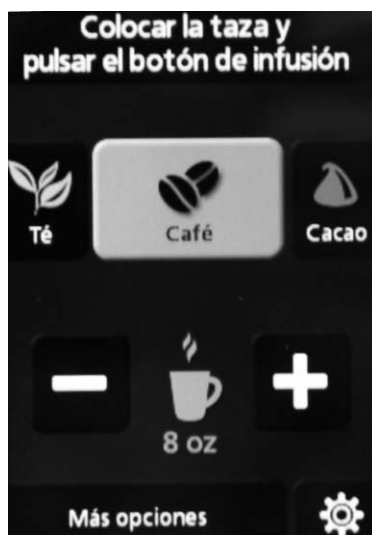
Paso 1: Levante la tapa de la cámara de infusión.



Paso 2: Introduzca la cápsula RealCup™.



Paso 3: Cierre la cámara de infusión.



Paso 4: Seleccione los ajustes.



Paso 5: Coloque la taza y pulse el botón de infusión.



Paso 6: Retire la cápsula RealCup™... ¡y disfrute!

Instrucciones de uso (continuación)

Color del botón de infusión

ROJO, AZUL Y VERDE: Colores de la secuencia de comienzo.

ROJO: Titila durante el ciclo de calentamiento. La luz destella si hay alguna falla.

AMARILLO: La luz queda encendida de manera continua cuando está abierta la cámara de infusión.

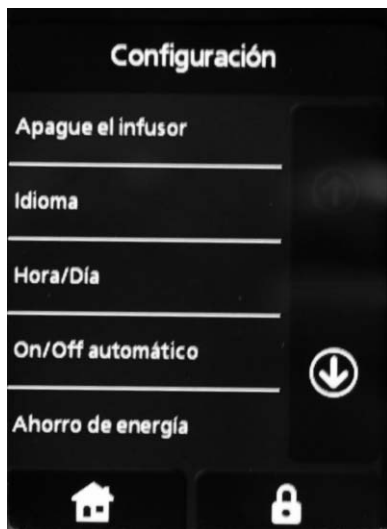
VERDE: La luz queda encendida de manera continua cuando el infusor está listo para comenzar la infusión o al finalizarla. Titila durante la preparación.

NARANJA: Se debe colocar una cápsula nueva antes de la preparación.

AZUL: El nivel del depósito es bajo o se está efectuando el proceso de desincrustación.

Agregado de la infusión: Después de haber realizado el paso 5, si desea más agua caliente, pulse el botón de infusión y manténgalo presionado hasta que se dispense la cantidad de agua caliente adicional que desee. Cuando se alcance el nivel de agua caliente adecuado, suelte el botón de infusión.

Pantallas de configuración



Pantalla de configuración: Permite configurar el apagado, cambiar el idioma, configurar el día y la hora, cambiar el encendido/apagado automático, establecer el ahorro de energía, acceder a la luz del tanque de agua, ver la información del contacto de servicio al cliente, realizar el procedimiento de desincrustación del infusor y restablecer los valores de fábrica (SOLO PARA EL PERSONAL DE MANTENIMIENTO). El botón de inicio que se encuentra en la parte inferior izquierda permite que el usuario regrese a la pantalla "Lift to Brew" (Levantar para preparar). El botón de bloqueo que se encuentra en la parte inferior derecha permite ingresar a las pantallas de configuración avanzada (protección con contraseña). **La contraseña predeterminada es 0400.** Si se pierde la contraseña, se debe realizar un restablecimiento de fábrica.

Existen seis pantallas de configuración utilizables. Las pantallas son Language (Idioma), Set Time & Day (Configuración de día y hora), Turn brewer on at (Hora de encendido del infusor), Turn brewer off at (Hora de apagado del infusor), Energy Save (Ahorro de energía) y Water Tank Light (Luz del tanque de agua). El botón con la flecha en la parte inferior izquierda permite volver a la pantalla de configuración anterior sin guardar los cambios. El botón Confirm (Confirmar) guarda los cambios y regresa a la pantalla de configuración anterior.



Tipos de pantallas

Existen tres tipos de pantallas:

1. Levantar para la infusión (Lift to Brew) ("INICIO") pantalla con imágenes rotatorias de productos e ingredientes.
2. Pantalla Mensajes (Message): Estas imágenes brindan instrucciones para el usuario o informan el estado de un proceso interno que debe realizarse antes de preparar una bebida.
 - Levantar para la infusión
 - Calentando; espere
 - Pulsar el botón de infusión para poner pausa
 - Infusión terminada
 - Insertar cápsula Real-Cup™
 - Cerrar cámara
3. Pantalla Alertas (Alert): Las pantallas relacionadas con acciones requieren que el usuario realice una acción. Si no se realiza esta acción, el infusor no funcionará de manera adecuada.
 - Cebat infusor
 - Llenar tanque de agua
 - Verificar que el tanque de agua esté en la posición correcta
 - Error: Cámara de infusión abierta
 - Error de flujo de agua
 - Agua demasiado caliente
 - No se está calentando el agua
 - Falla grave

Instrucciones de uso (continuación)

Si las pantallas de acciones presentan un signo de exclamación rojo, llame al proveedor de servicios. Si es amarillo, se requiere una acción por parte del usuario.



- Asegúrese de limpiar regularmente las superficies cercanas al infusor y aquellas que se encuentran debajo de este, a fin de evitar la atracción de bichos y el crecimiento de bacterias por los derrames de café y azúcar.

Drenaje:

Esta acción eliminará el agua del infusor. No coloque el infusor ni sus piezas individuales en un lavavajillas

1. Apague el infusor. Deje que se enfríe. Cierre la válvula de suministro de agua (opción de llenado automático únicamente) y desconecte el sistema de suministro de agua.
2. Retire y vacíe el depósito.
3. Encienda el infusor.
4. Coloque una taza debajo de la cámara de infusión, mantenga pulsado el interruptor de detección de depósito y comience una secuencia de preparación.
5. Continúe la secuencia de preparación hasta que deje de verterse agua en la taza o hasta que aparezca la pantalla Water Flow Error (Error de flujo de agua).
6. Retire el panel posterior, destape el conducto de desagüe y drene el tanque. Vuelva a colocar la tapa y el panel posterior.

Limpieza y mantenimiento

▲ PELIGRO

Para evitar posibles casos de electrocución, no lo sumerja en agua.

▲ ATENCIÓN

Las sondas de infusión son filosas. Para evitar lesiones, no coloque los dedos en el interior de la cámara de infusión. Para reducir el ingreso de materiales extraños en el infusor, mantenga cerradas las tapas de la cámara de infusión y del depósito.

Limpieza

Limpieza diaria:

- Para garantizar la calidad de las preparaciones y el funcionamiento adecuado, vacíe la bandeja escurridora con la frecuencia necesaria, lávela con una solución de detergente para vajilla y agua, y enjuáguela muy bien.
- Todas las superficies externas pueden limpiarse con un paño suave y húmedo. No utilice productos abrasivos, ya que puede rayar las superficies externas.
- No coloque el infusor ni sus piezas individuales en un lavavajillas.

Limpieza semanal:

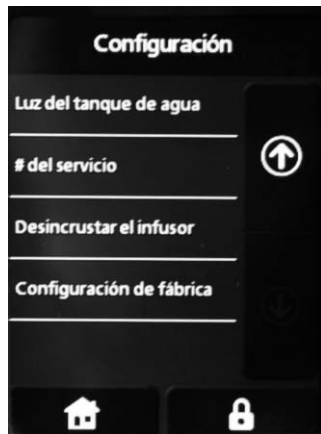
- Retire y vacíe el tanque del depósito, lávelo con una solución de detergente para vajilla y agua, y enjuáguelo muy bien.

Desincrustación: Esta acción lo ayudará a eliminar los depósitos de agua dura. **El proceso llevará aproximadamente 3.5 horas** y se necesitarán 72 onzas de vinagre blanco destilado. No coloque el infusor ni sus piezas individuales en un lavavajillas.

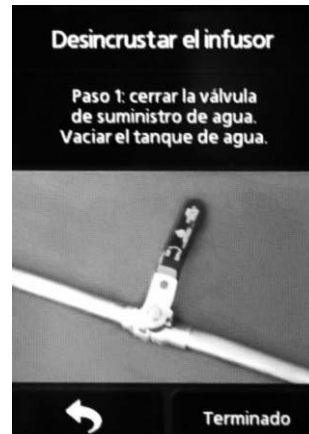
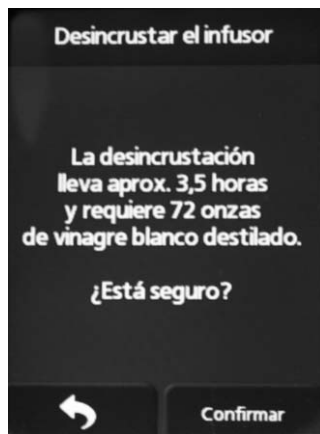
La frecuencia de la desincrustación depende del nivel de contenido mineral del agua. Por este motivo, se recomienda el uso de agua filtrada o embotellada. Los depósitos de calcio o la sedimentación pueden acumularse en su infusor e impedir el rendimiento óptimo. La desincrustación periódica de su infusor en un período de 3 a 6 meses ayuda a evitar este problema; no obstante, si considera que el agua presenta un nivel de contenido mineral más elevado, puede realizar el procedimiento de desincrustación con más frecuencia.

Limpieza y mantenimiento (continuación)

Desincrustación (continuación):

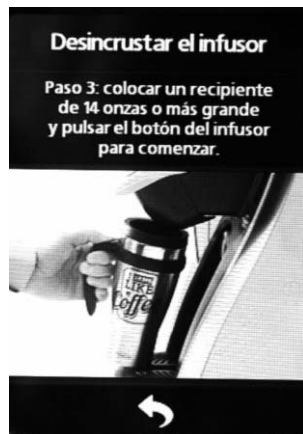


En la opción Settings (Configuración), seleccione Descalify Brewer (Desincrustar infusor).

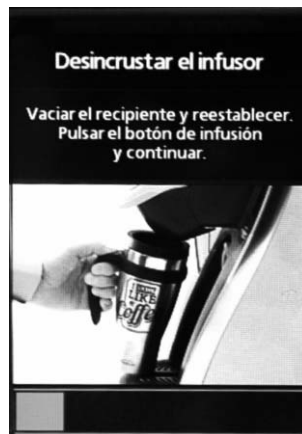


Paso 1: Cierre la válvula de suministro de agua (solo modelos de llenado automático). Vacíe el depósito y la cámara de infusión.

Paso 2: Llene el depósito con 72 oz de vinagre blanco destilado.



Paso 3: Coloque un recipiente de 14 oz o de mayor capacidad y presione el botón de infusión.



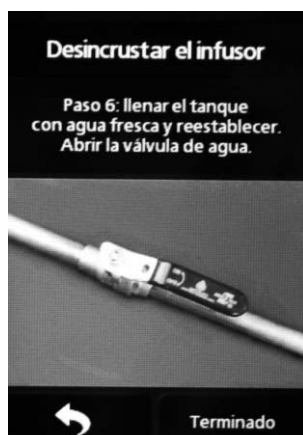
Cuando se le indique, vacíe el recipiente, vuelva a colocarlo y presione el botón de infusión para continuar. (6 en total)



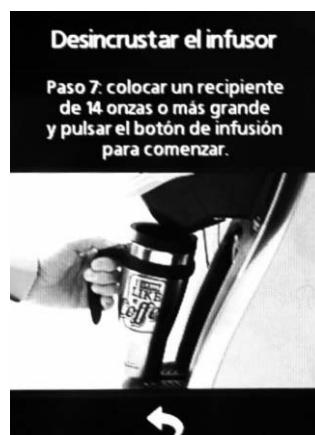
Paso 4: Lave la bandeja escurridora y el depósito. Enjuague por completo. Espere 3 horas.



Paso 5: Retire el panel posterior, quite la tapa y drene el tanque. Vuelva a colocar la tapa y el panel posterior.



Paso 6: Abra la válvula de suministro de agua (solo modelos de llenado automático). Llene el depósito con agua dulce.



Paso 7: Coloque un recipiente de 14 oz o de mayor capacidad y presione el botón de infusión. Cuando se le indique, vacíe el recipiente, vuelva a colocarlo y presione el botón de infusión para continuar. (6 en total)



Enjuague con 12 oz si no percibe el sabor y el aroma normales.

Limpeza y mantenimiento (continuación)

Instrucciones de limpieza de las sondas:

Siga este procedimiento únicamente si tiene problemas con el infusor. No coloque el infusor ni sus piezas individuales en un lavavajillas.

⚠ ATENCIÓN

Las sondas de infusión son filosas. Para evitar lesiones, no coloque los dedos en el interior de la cámara de infusión.

Limpeza de la sonda superior:

1. Inserte con cuidado un clip para papeles limpio y desplegado no más de 1/4" en la sonda vertedora superior.
2. Vierta agua caliente sin colocar ninguna cápsula, para enjuagar por completo

Limpeza de la sonda inferior:



1. Retire la unidad del portacápsula de la bandeja.
2. Separe la unidad del portacápsula.
3. Inserte un clip para papeles en la sonda inferior desde la parte de abajo.
4. Enjuague por completo.
5. Vuelva a montar la unidad del portacápsula y colóquela con firmeza en la bandeja del infusor hasta oír un chasquido.

Solución de problemas

▲ ATENCIÓN Las sondas de infusión son filosas. Para evitar lesiones, no coloque los dedos en el interior de la cámara de infusión. Para reducir el ingreso de materiales extraños en el infusor, mantenga cerradas las tapas de la cámara de infusión y del depósito.

PROBLEMA		SOLUCIÓN
Falta de energía eléctrica		Verifique que la unidad esté enchufada en un tomacorriente con clasificación de 120 V/15 A y que el interruptor de encendido esté en la posición ON (Encendido).
Llenado del tanque de agua	(SOLO modelo para verter por encima). (SOLO modelo de llenado automático).	Agregue agua hasta el nivel adecuado en el depósito. Asegúrese de que esté abierta la válvula de paso de agua. Apague el infusor y reinicielo con el interruptor de encendido que se encuentra en la parte posterior del infusor.
Volumen de infusión menor de lo normal		Ajuste el volumen de la bebida en la pantalla. Si el error persiste, realice el procedimiento de desincrustación.
Caída de gotas de agua de la máquina cuando no se está realizando una preparación		Asegúrese de que el tanque del depósito no supere el nivel de llenado máximo. Realice el procedimiento de desincrustación. Llame a un técnico de mantenimiento.
Caída de gotas de agua de la máquina (SOLO modelo para verter por encima)		En el caso del modelo para verter por encima, asegúrese de que la válvula de entrada de agua tenga colocada la tapa que se proporciona con el infusor.
Filtraciones de agua de la máquina durante una preparación		Retire la tapa del tubo de drenaje y verifique que el conducto de desagüe esté conectado correctamente.
Destello continuo de la luz roja		Comuníquese con la compañía o el técnico de mantenimiento.
No se advierte el cebado de la unidad	La conducción de agua es demasiado baja para el circuito de sensor de nivel.	No utilice agua de ósmosis inversa, destilada ni desionizada.
La unidad se sobrecalienta o hierve el contenido	El punto de configuración de la temperatura es demasiado elevado.	Disminuya 10° el punto de configuración de la temperatura y vuelva a verificar.
La cápsula se daña	Sonda de salida obstruida.	Limpie la sonda de salida con un clip para papeles y enjuague por completo. Siga las instrucciones de limpieza de la sonda de la sección Limpieza y mantenimiento.
	Tapas de cápsulas defectuosas.	Determine si sucede con cápsulas de un producto específico. Opte por otra marca si es necesario. No utilice marcas de cápsulas que suelen dañarse.
	La temperatura del agua es demasiado elevada para los filtros de papel.	Disminuya 10° como mínimo la configuración de temperatura del agua.
	El portacápsula no se fija correctamente en la bandeja.	Asegúrese de que el portacápsula esté fijado completamente en la bandeja.

Solución de problemas (continuación)

▲ ATENCIÓN Las sondas de infusión son filosas. Para evitar lesiones, no coloque los dedos en el interior de la cámara de infusión. Para reducir el ingreso de materiales extraños en el infusor, mantenga cerradas las tapas de la cámara de infusión y del depósito.

PROBLEMA		SOLUCIÓN
La cápsula se daña	La tapa de la cámara se abrió y se cerró sin cambiar la cápsula.	Inspeccione que el papel de aluminio de la cápsula no esté roto en el lugar que la sonda lo perfora. No abra y cierre la tapa de la cámara para evitar perforaciones dobles de las cápsulas.
	Las cápsulas de café de gran capacidad se dilatan y se dañan cuando se utiliza una configuración para grandes volúmenes.	Borre la configuración de gran volumen del menú. Evite el uso de cápsulas que presentan problemas.
Caen gotas de agua de la cámara de infusión durante una preparación	El agua se filtra desde el sello de entrada.	Asegúrese de que la almohadilla del sello de entrada de la parte superior esté instalada correctamente.
La pantalla indica que se debe reemplazar el depósito	El depósito no está instalado correctamente.	Asegúrese de que el depósito esté instalado al ras del lado izquierdo del infusor para que haya contacto del interruptor de presencia.
La pantalla indica que el nivel de agua es bajo o que no hay agua	Falta el flotador de nivel del depósito. El suministro de agua de la máquina está cerrado.	Reemplace el flotador del depósito. Restablezca el suministro de agua de la máquina.
	La máquina espera el llenado manual.	Vuelva a llenar el depósito manualmente.
La cámara de infusión se abre durante la preparación	El portacápsula no se fijó correctamente en la bandeja.	Asegúrese de que el portacápsula esté fijado completamente en la bandeja.
	La cámara de infusión no se enganchó completamente.	Asegúrese de que el pestillo esté fijado en su posición al momento del cierre.
Se vierte agua transparente durante la infusión	Es posible que el puerto de entrada o salida esté obstruido con poso del café.	Inserte un clip para papeles desplegado en la sonda vertedora superior no más de 1/4" para quitar la obstrucción con cuidado. Sobre el portacápsula, retire el soporte de la bandeja y desmonte la cubierta inferior de la superior. Inserte el clip para papeles desplegado en la sonda inferior desde abajo para eliminar cualquier obstrucción y vuelva a montar la unidad.
	La sonda de entrada no perfora adecuadamente el papel de aluminio de la cápsula.	Pruebe con una marca de cápsulas diferente.
El agua de la opción para verter agua caliente no es agua transparente	La infusión de agua caliente enjuaga el portacápsula y arrastra productos vertidos anteriormente.	Enjuague con agua caliente y elimine el agua si desea agua caliente más transparente. Limpie periódicamente la cámara de infusión y la almohadilla del sello de entrada superior.
Falla grave después del cebado	Se detectó el termistor abierto.	Permita que la máquina alcance y mantenga una temperatura ambiente durante media hora. Active el interruptor de encendido y verifique el funcionamiento adecuado.

Solución de problemas (continuación)

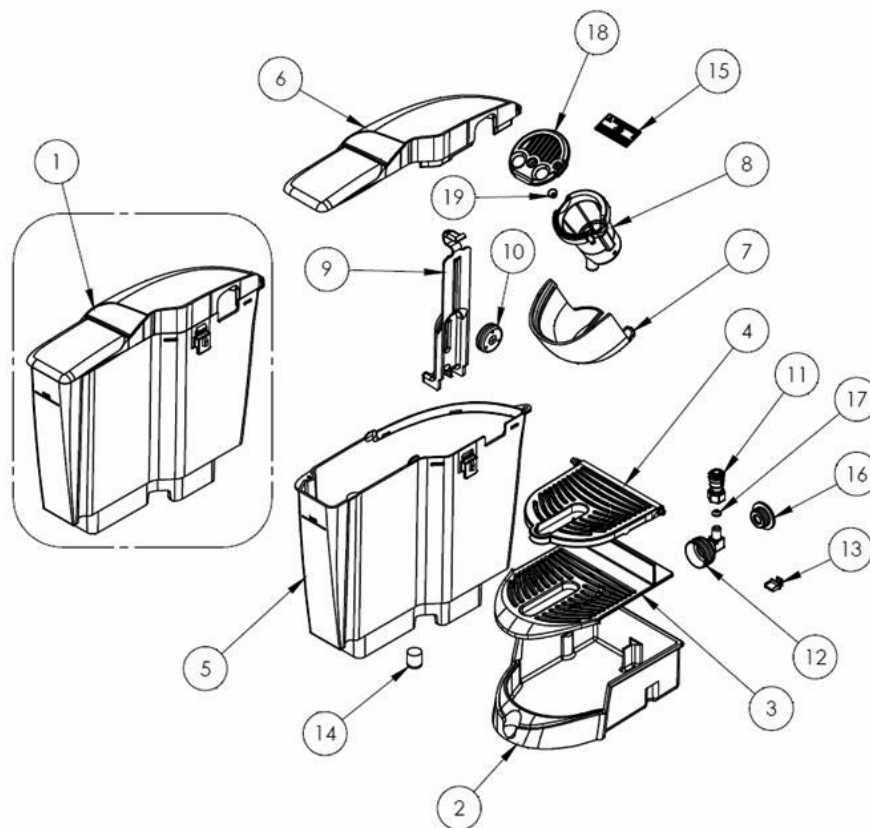
▲ ATENCIÓN Las sondas de infusión son filosas. Para evitar lesiones, no coloque los dedos en el interior de la cámara de infusión. Para reducir el ingreso de materiales extraños en el infusor, mantenga cerradas las tapas de la cámara de infusión y del depósito.

PROBLEMA		SOLUCIÓN
Indicación de flujo bajo	<p>El nivel del depósito es bajo y el flotador del depósito no se encuentra en su lugar.</p> <p>La unidad fue expuesta a temperaturas extremadamente bajas (el sistema de tuberías está congelado).</p>	<p>Verifique que el flotador de nivel de agua se encuentre en posición y que no se haya desplazado durante el envío o no se haya vuelto a colocar en su lugar después de la limpieza.</p> <p>Permita que la unidad alcance la temperatura ambiente de la oficina para que se descongelen las tuberías internas. Apague y encienda la unidad para determinar si existe algún daño permanente.</p>

Si usted todavía necesita ayuda, llame a GMCW Departamento de servicios técnicos, 502-425-4776 o al 800-695-4500 (USA & Canadá solamente) (el lunes a viernes 8:00 a 6 PM EST) tenga el modelo y número de serie listo por tanto pueden dar la información precisa.

Consulte GMCW.com para conocer la información actualizada sobre la garantía.

Piezas de repuesto que puede reemplazar el usuario



Piezas de repuesto que puede reemplazar el usuario (continuación)

N.º de artículo	Número de pieza	Descripción	Cant.
1	230-00001	Unidad de depósito	1
2	210-00030	Bandeja escurridora para una sola taza	1
3	210-00031	Rejilla para una sola taza	1
4	230-00004	Unidad de rejilla abatible	1
5	210-00051	Depósito	1
6	230-00044	Unidad de tapa de depósito de una sola pieza	1
7	210-00004	Bisel	1
8	230-00015	Unidad de portacápsula	1
9	210-00052	Guía del flotador	1
10	230-00021	Unidad de flotador	1
11	359-00003	Conexión MUR-LOK de ¼" y tuerca abocinada de ¼"	1
12	359-00031	Conexión de montaje con tuerca abocinada de ¼" y acople de manguera de ¾"	1
13	B256A	Tapa del puerto USB	1
14	280-00001	Válvula de verificación, DW15	1
15	380-00020	Etiqueta de advertencia de líquido caliente	1
16	210-00235	Tapa de válvula de entrada moldeada	1
17	359-00115	Junta de tuerca abocinada SAE de ¼"	1
18	210-00283	Almohadilla del sello de entrada para una sola taza	1
19	210-00023	Sello de sonda inferior	1

GMCW

4003 Collins Lane, Louisville, KY 40245 Estados Unidos

Phone: 502.425.4776 Toll Free: 800.695.4500 Fax:

502.425.4664

Web: gmcw.com Email: info@gmcw.com

©2013 GMCW

Impreso en Tailandia

Formulario 0515 n.º BW-305-03

Pieza n.º 390-00005



GRINDMASTER®

BY GMCW™

Manuel d'instructions

Infuseur une tasse

Modèle RC400



MODÈLE : RC400

Table des matières

Spécifications de l'infuseur	34	Préparation	39
Instructions de sécurité.....	34	Mode d'emploi.....	40
Informations générales	36	Nettoyage et entretien.....	42
Déballage de votre infuseur	37	Dépannage.....	45
Installation	37	Pièces de rechange utilisateur	47

Merci d'avoir choisi l'infuseur une tasse à usage commercial/domestique Grindmaster par GMCW. Pour votre sécurité et la sécurité des autres, lisez tous les avertissements et le manuel d'instruction avant d'installer et d'utiliser le produit. Former correctement tous les opérateurs. Conserver les documents de formation. Pour référence ultérieure, enregistrer le numéro de série ici :

GMCW

4003 Collins Lane, Louisville, KY 40245 USA
Téléphone : 502.425.4776 Appel gratuit : 800.695.4500
Fax: 502.425.4664
Web: gmcw.com Email: info@gmcw.com

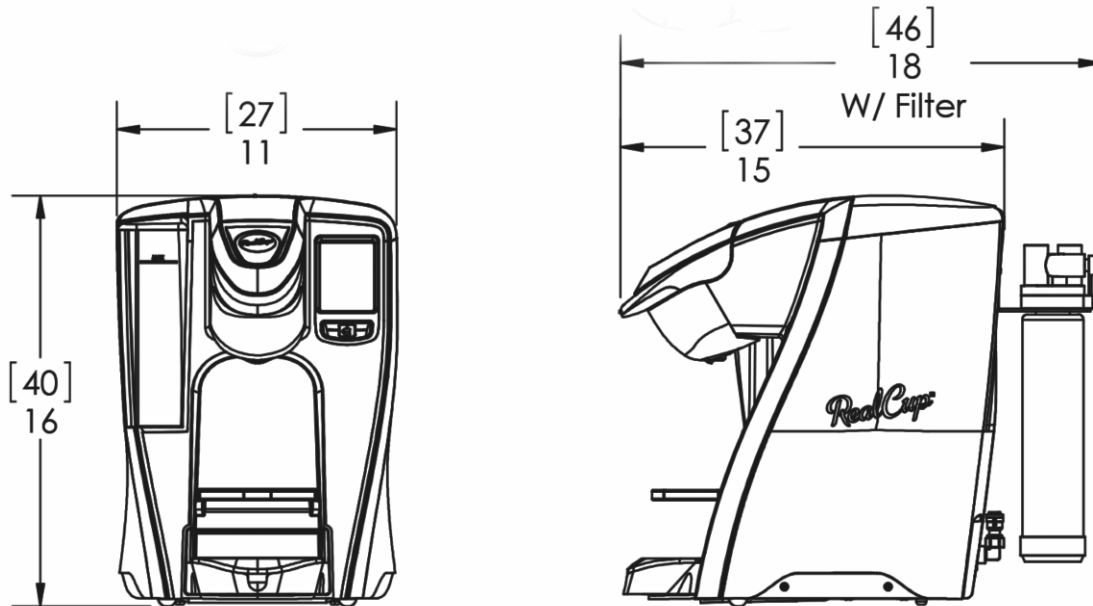
Consulter GMCW.com pour les informations sur la garantie actuelle.



GMCW™

Spécifications de l'infuseur

Modèle	Description	Électrique
RC400	Infuser une tasse - 72oz. (2.13 L) réservoir. CNSFUS Électrique, NSF Certification	120V / 1550 W / 13A / 1 Ph



pouce [cm]

Merci d'avoir choisi l'infuseur une tasse à usage commercial/domestique Grindmaster par GMCW. L'infuseur une tasse est un infuseur à usage commercial ou domestique à commande numérique qui prépare une tasse à la fois. L'infuseur est conçu pour une utilisation optimale avec les capsules RealCup™ et est compatible avec les capsules Keurig® * K-Cup® . *

L'infuseur une tasse peut être raccordé à une source d'eau potable. Si une ligne d'eau n'est pas disponible, l'infuseur peut être utilisé comme un infuseur à remplissage manuel. L'infuseur requiert une alimentation 15 A, 120V, 60 Hz. Si l'infuseur est raccordé, le remplissage du réservoir se fera automatiquement. Sinon, un remplissage manuel du réservoir sera nécessaire.

Principe d'utilisation de cette machine :

L'utilisateur place une tasse à café sur le plateau d'égouttage (ou plateau escamotable) et une capsule Real Cup™ dans la chambre d'infusion. Il ferme ensuite la chambre d'infusion. Puis il sélectionne, à partir de l'écran d'interface utilisateur, la boisson et les réglages de format. Une fois ces sélections faites, il appuie sur le bouton INFUSER. L'infuseur une tasse est conçu pour des doses de 4 (118), 6 (177), 8 (237), 10 (296), 12 (355) and 16 (473) onces liquides (ml). Le volume dosé réel est d'environ 10% de moins pour permettre l'addition de lait, de crème ou d'édulcorant, si désirée.

*La marque RealCup™ n'est pas affiliée à K-Cup® ou Keurig Inc. Keurig® et K-Cup® sont des marques déposées de Keurig Inc.

Instructions de sécurité

AVIS



Ceci est un symbole d'alerte de sécurité. Il est utilisé pour vous alerter de dangers potentiels de blessures personnelles. Respectez tous les messages de sécurité qui suivent ce symbole pour éviter des blessures ou la mort.

Pour votre sécurité et la sécurité des autres, lisez tous les avertissements et le manuel d'instruction avant d'installer et d'utiliser le produit.

DANGER: Ce terme prévient l'utilisateur d'un danger de mort ou de blessure grave.

AVERTISSEMENT: Ce terme fait référence à un danger potentiel ou une pratique dangereuse, qui pourrait entraîner des blessures graves.

ATTENTION: Ce terme fait référence à un danger potentiel ou une pratique dangereuse, qui pourrait entraîner des blessures mineures ou modérées ou des dégâts matériels.

AVIS: Ce terme fait référence à une information qui nécessite une attention spéciale ou doit être pleinement comprise.

Instructions de sécurité (suite)

DANGER

Pour éviter les risques d'électrocution, de brûlures, ou autres blessures et pour éviter d'endommager votre infuseur, ne pas l'immerger dans l'eau ou dans d'autres liquides nettoyants.

Ne pas faire fonctionner un infuseur endommagé. Contrôler régulièrement le cordon d'alimentation électrique et le tuyau d'alimentation en eau. Si le cordon ou la fiche sont endommagés ou usés, ne pas utiliser l'infuseur. Fermer l'alimentation d'eau et débrancher électriquement.

Eteindre et débrancher l'infuseur avant le nettoyage et l'entretien.

Risque d'étouffement. L'emballage du produit contient un sac plastique. Garder les sacs plastiques hors de portée des enfants.

Débrancher si l'appareil fonctionne anormalement et contacter un professionnel qualifié pour la réparation. Ne pas autoriser une personne non qualifiée à effectuer les réparations. Il n'y a pas de pièce remplaçable par l'utilisateur à l'intérieur de l'infuseur. Ne pas démonter l'infuseur.

AVERTISSEMENT

L'infuseur doit être uniquement branchée à un circuit électrique 120 VAC, 60 Hz, 15 A avec terre.

ATTENTION

Utilisation à l'intérieur uniquement. Ne pas installer ou utiliser à l'extérieur, sur des équipements mobiles, ou flottants.

N'utiliser l'appareil que pour les fins auxquelles il a été conçu. Tout autre usage est inapproprié et peut être dangereux. Le fabricant décline toute responsabilité pour blessure, perte ou endommagement dus à une mauvaise utilisation.

Les sondes d'infusion sont tranchantes. Pour éviter les blessures, ne pas mettre les doigts à l'intérieur de la chambre d'infusion.

Risques de brûlures. L'infuseur utilise de l'eau à 185°F- 200°F si bien que, si il n'est pas utilisé correctement, il peut entraîner des brûlures. Ne pas laisser des enfants utiliser cet appareil sans la supervision d'un adulte. Maintenir l'appareil hors de portée d'animaux.

Pour éviter les risques de brûlures, ne pas utiliser sans que le capot soit en place. Laisser refroidir l'infuseur avant le nettoyage ou l'entretien.

Des surfaces chaudes peuvent entraîner des brûlures. Ne pas toucher à l'infuseur pendant son utilisation.

Pour ne pas se brûler avec l'eau chaude, ne pas ouvrir la chambre d'infusion pendant le cycle.

Pour ne pas se brûler avec l'eau chaude, ne pas bouger ou incliner l'appareil. En bougeant ou inclinant l'infuseur, l'eau pourrait se déverser du réservoir. En haute altitude, une ébullition interne est possible. Vous devez réduire la température de consigne en-dessous du point d'ébullition à cette altitude.

Pour éviter de se brûler, utiliser une tasse appropriée pour minimiser les éclaboussures. Laisser un minimum de 1/2" d'espace entre le rebord de la tasse et le bec de distribution de l'infuseur pour que la tasse ne déverse pas quand on la retire. Centrer la tasse sous le bec de distribution pendant l'écoulement et laisser le cycle d'infusion se terminer avant d'ouvrir la chambre d'infusion ou de retirer la tasse.

Pour éviter de se pincer, éloigner les doigts de la chambre d'infusion pendant la fermeture.

Instructions de sécurité (suite)

AVIS

Pour de meilleurs résultats, enlever la capsule Real Cup™ usagée de la chambre d'infusion après chaque cycle d'infusion.

Ne pas retirer le réservoir pendant que l'unité d'Auto-remplissage se remplit pour éviter des déversements; attendre la fin du remplissage avant d'enlever le réservoir.

Toute intervention d'entretien ou de réparation doit être faite par un professionnel qualifié. L'installation, l'entretien ou les réparations par du personnel non qualifié pourrait endommager l'infuseur et annulerait la garantie du fabricant.

Cet équipement doit être installé conformément aux normes locales et nationales propres au pays et / ou à la région où l'appareil est installé.

Contactez le fabricant pour tout dysfonctionnement ou endommagement de l'appareil.

Quand l'appareil est éteint pendant une longue période, s'assurer qu'il n'y a plus d'eau à l'intérieur de l'infuseur. L'eau pourrait geler et entraîner des détériorations ou l'apparition de moisissures.

Pour éviter que des corps étrangers n'entrent dans l'infuseur, maintenir les couvercles du réservoir et de la chambre d'infusion fermés.

Pour éviter un débordement accidentel de la tasse, appuyer sur « INFUSER »(BREW) pour arrêter.

Informations générales

Ce manuel d'instructions comprend les instructions d'utilisation et d'entretien de votre infuseur; garder ce manuel à disposition.

Après avoir déballé votre infuseur, assurez-vous que votre appareil n'a pas été endommagé pendant le transport et qu'il comprend tous les composants. Contacter le service après-vente pour toute question ou problème avant l'installation.

Merci de noter que les matériaux d'emballage peuvent être dangereux. Les maintenir hors de portée des enfants. Les évacuer rapidement.

Pendant les différentes étapes de fonctionnement, vous pourrez entendre des sons de fonctionnement normaux qui ne vous sont pas familiers. Les bruits suivants sont normaux:

Bourdonnement / Clic - entendu lorsque la pompe à eau s'active et / ou la vanne à trois voies s'ouvre et se ferme pour distribuer de l'eau ou remplir le réservoir.

Pop – une capsule Real Cup™ endommagée pourrait entraîner un bruit sec.

Vibration / vrombissement - Dans les conditions normales de fonctionnement, une pompe à air interne se met en marche à la fin du cycle d'infusion et vous l'entendrez lorsqu'elle est active.

Écoulement d'eau ou gargouillement - Sur un infuseur à remplissage manuel, vous entendrez des gargouillements quand le réservoir est vide avant la fin d'un cycle d'infusion. Sur une installation à remplissage automatique, vous entendrez ce son quand la cafetière se remplit automatiquement.

Ne pas utiliser de capsules Real Cup™ endommagées. L'utilisation de capsules Real Cup™ endommagées risquerait d'entraîner des grains de café ou des matières indésirables dans la chambre d'infusion et dans la tasse.

L'endommagement de la capsule Real Cup™ inclut, mais n'est pas limité à, l'endommagement autour de l'opercule ou l'ensemble de la capsule Real Cup™ peut être bosselée ou déformée.

Pour assurer la sécurité alimentaire et le bon fonctionnement, nettoyer la machine régulièrement en suivant les instructions de nettoyage quotidien et hebdomadaire. Les instructions de nettoyage et d'évacuation de l'eau se trouvent dans la section Nettoyage et Entretien de ce manuel.

Quand l'appareil est éteint pendant une longue période, s'assurer qu'il n'y a plus d'eau à l'intérieur des tuyaux. L'eau pourrait geler et entraîner des détériorations ou l'apparition de moisissures.

Les raccords et accessoires des tuyaux d'eau directement connectés sur une conduite d'eau potable doivent être conformes, au niveau de la taille, de l'installation et de l'entretien, aux normes fédérales, d'État et locales. Ce produit nécessite un dispositif de prévention de reflux homologué, tel qu'un clapet anti-retour double, à installer entre l'appareil et l'alimentation en eau.

Pour éviter que des corps étrangers n'entrent dans la cafetière, maintenir les couvercles du réservoir et de la chambre d'infusion fermés.

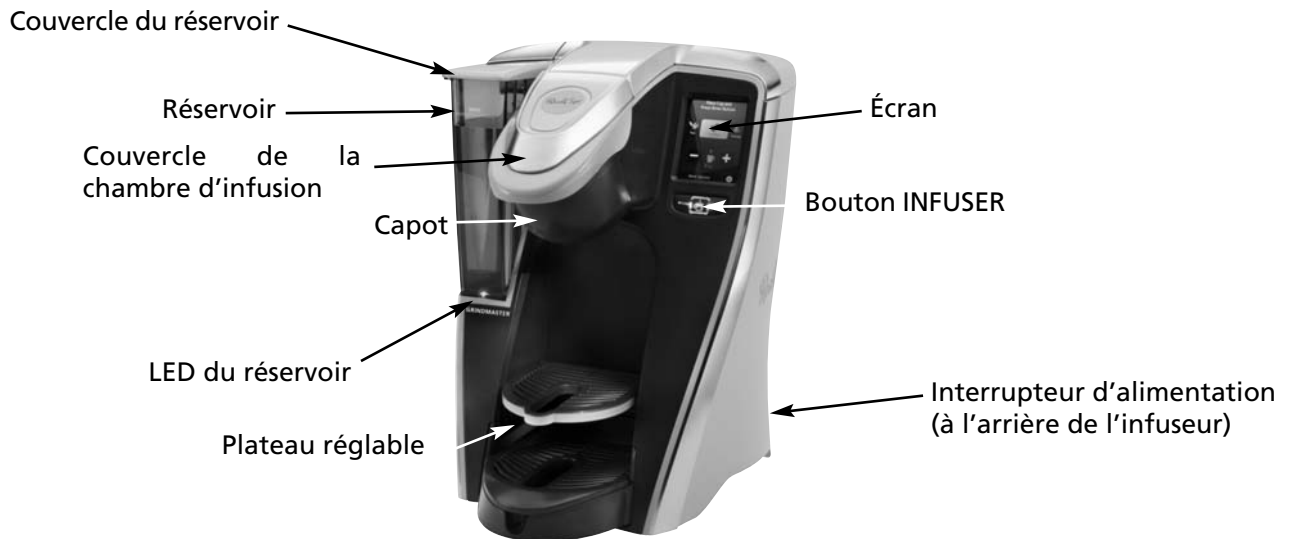
Pour assurer le bon fonctionnement des contrôles électroniques, ne pas utiliser d'eau osmosée, d'eau distillée ou déminéralisée.

La température de l'eau chaude de la cafetière à capsule RC400 est réglée en usine à 195°F (90.6°C). Si vous utilisez votre infuseur au-delà de 4000 pieds d'altitude, un ajustement de consigne peut être nécessaire. Si de la vapeur sort du réservoir ou si des gouttes d'eau chaude tombent dans le réservoir, c'est que la consigne de température doit être baissée. De plus, si la consigne de température est trop haute, vous pourriez obtenir moins de volume infusé.

Déballage de votre infuseur

1. Mettre le carton sur une table ou sur une surface ferme et stable.
2. Ouvrir la boîte. Ne pas utiliser d'objets tranchants pour ouvrir la boîte, ils risqueraient d'abîmer l'infuseur.
3. Retirer les matériaux de protection, les notices imprimées et l'infuseur.
4. Noter le numéro de série sur la couverture de ce manuel
5. Après le déballage, vérifier que votre appareil n'a pas été endommagé pendant le transport et comprend tous les composants.
6. Informer votre représentant du service après-vente en cas de questions ou de préoccupations avant l'installation.

Caractéristiques du RC400

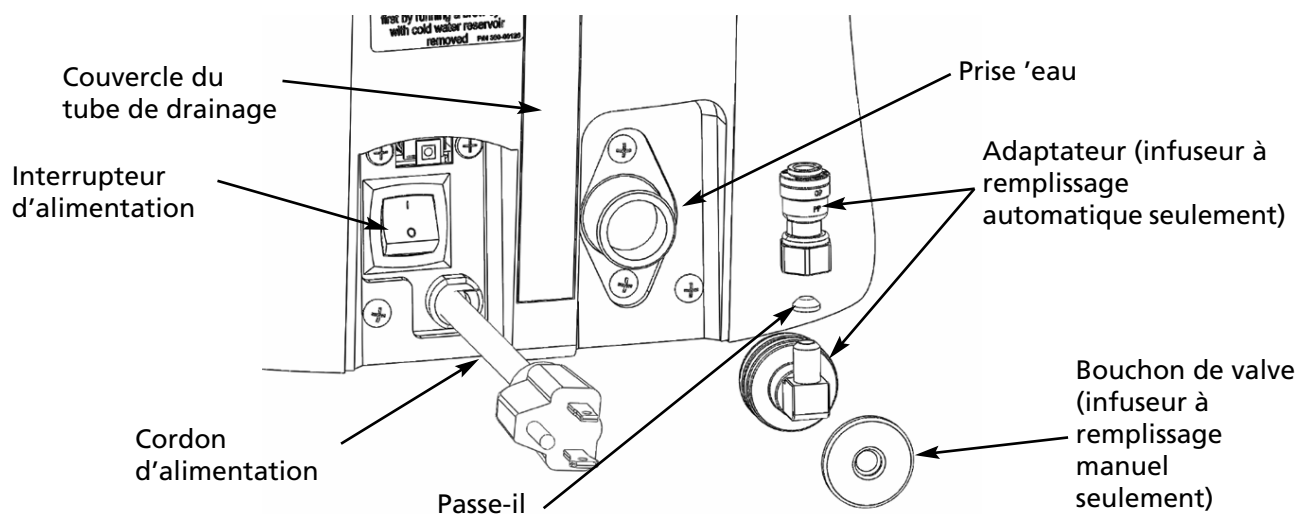


Installation

Où l'installer

L'infuseur doit être installé sur une surface ferme, stable et de niveau. Tenir à l'écart des animaux de compagnie. Surveiller les enfants et assister ceux qui ont besoin d'aide pour faire fonctionner l'infuseur.

Prises d'eau et électriques



Installation (suite)

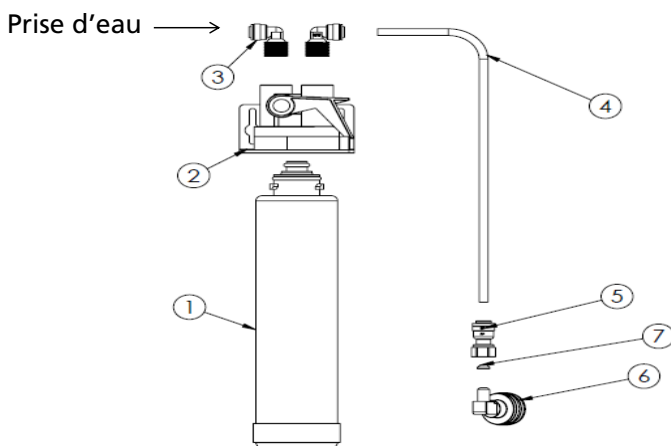
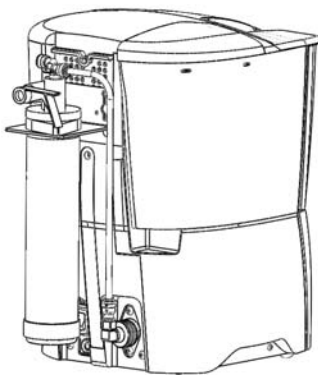
Alimentation en eau

AVIS: L'infuseur est conçu pour fonctionner avec des pressions d'eau allant de 20 psig à 100 psig. Grindmaster recommande l'utilisation d'un filtre à eau externe tel que le kit de filtres à eau P/N 250-00034. Le filtre se monte sur la face arrière de l'infuseur.

Type d'eau : Pour assurer le bon fonctionnement des contrôles électroniques, ne pas utiliser d'eau osmosée, distillée, ou déminéralisée. L'eau qui ne contient pas de minéraux, d'impuretés et d'autres ions sera mal détectée par l'infuseur et provoquera un dysfonctionnement. Utiliser de l'eau du robinet filtrée ou en bouteille. Pour réduire l'accumulation de tartre, ne pas utiliser d'eau minérale.

Water Filter Kit Installation

Kit de filtre à eau (pièce #250-00034)



REMARQUE : La tête de filtre QL3B est livrée avec les 2 raccords cylindriques 1/4 pouce pré- attachés.

Instructions d'installation du filtre à eau

1. Installer le filtre (420-00000) dans la tête de filtre en le faisant glisser dans le fond et tourner pour verrouiller.
2. Fixer la tête de filtre à l'arrière de la RC400 sur les deux vis pré-installées sur le dos de l'appareil ; faire glisser la tête de filtre sur les têtes de vis et serrer.
3. Installer les raccords (359-00031, 359-00115 et 359-00003) sur l'arrivée d'eau à l'arrière de la RC400.
4. Faire glisser le tube (362-00028) dans les raccords rapides sur la sortie du filtre (359-00004) et l'entrée sur l'infuseur à café(359-00031).
5. Raccorder l'alimentation d'eau à l'entrée de la tête de filtre à travers la connexion rapide (359-00004).
6. Ouvrir l'alimentation d'eau et vérifier les fuites.
7. Allumer RC400 et profiter du nouveau filtre à eau.

Repère No.	Pièce No.	Description
1	420-00000	Filtre, PC-WF Filtre à café
2	280-00010	Tête de filtre QL3B Simple tête
3	359-00004	Raccord cylindrique 1/4, 3/8 NPTF (2)
4	362-00028	Tube 1/4 pouce diamètre extérieur X 0,180 pouce diamètre intérieur
5	359-00003	Raccord conique, Mur-Lok 1/4 X 1/4
6	359-00031	Raccord assemblé, 1/4 conique X 3/4 tuyau pivotant
7	359-00115	Joint d'étanchéité, 1/4" SAE conique

Alimentation électrique

⚠ ATTENTION

Couper l'alimentation si la machine fonctionne anormalement et informer le personnel de maintenance quand un non qualifié effectue des réparations.

Il n'y a pas de composants réparables à l'intérieur de l'infuseur. Ne pas démonter l'infuseur.

AVIS

Cet appareil est équipé d'un cordon d'alimentation à trois broches. Un circuit électrique 120V 15A NEMA 5-15 avec terre doit être utilisé.

- Un circuit électrique 120 VAC, 60 Hz, 15 A, de type 5-15, est nécessaire au bon fonctionnement.
- Toujours débrancher la machine avant l'entretien ou la maintenance de l'appareil.
- Placer l'interrupteur d'alimentation en position OFF et brancher le cordon d'alimentation sur un circuit électrique 120V 15A NEMA 5-15 avec terre

Préparation

Amorçage de la cuve de chauffage interne

AVIS : L'infuseur ne fonctionnera pas tant que le réservoir d'eau chaude n'est pas amorcé. Merci de suivre ces procédures pour assurer une bonne installation.

Version pour infuseur à remplissage manuel

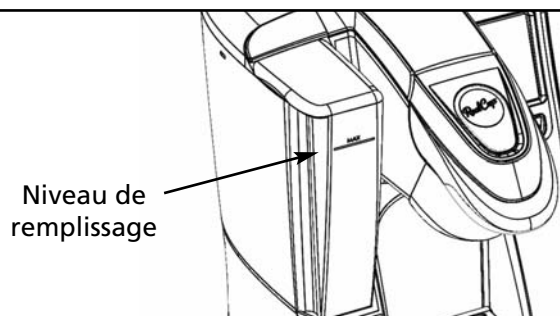
1. Assurez-vous que le bouchon de valve d'admission d'eau fourni avec la machine est installé sur la vanne d'entrée d'eau pour empêcher les fuites.
2. Ouvrez le couvercle du réservoir.
3. Remplissez le réservoir avec de l'eau du robinet ou de l'eau en bouteille jusqu'au niveau indiqué sur le réservoir. Ne pas utiliser d'eau distillée.
4. Branchez l'appareil sur une prise 120V/15 A. Mettez l'interrupteur principal sur ON.
5. Placer une tasse sur le plateau d'égouttage de l'appareil pour recueillir l'eau de l'opération d'amorçage.
6. L'écran affichera « Amorçage de l'infuseur » (Prime Brewer), appuyez sur le bouton INFUSER (BREWER) jusqu'à ce que l'eau s'écoule dans la tasse.
7. Remplissez à nouveau le réservoir jusqu'au niveau approprié.
8. Laisser l'infuseur atteindre la température d'infusion.

Version à remplissage automatique

1. Branchez l'eau à la vanne de remplissage située à l'arrière de la cafetière. Un adaptateur raccord femelle conique ¼ " x tube ¼" ainsi qu'un adaptateur conique 1/4" x tuyau sont fournis avec l'infuseur. N'utilisez pas d'eau osmosée.
2. Remplissez le réservoir avec de l'eau du robinet ou de l'eau en bouteille jusqu'au niveau indiqué sur le réservoir. Ne pas utiliser d'eau distillée.

AVIS: remplissage automatique SEULEMENT :

L'eau est amenée directement à l'unité et le marquage du niveau de remplissage n'est pas utilisé. Le niveau de remplissage varie en fonction de la pression d'eau. Le niveau de remplissage normal sera en-dessous de la ligne « MAX ».



3. Ouvrez la vanne de service d'eau.
4. Branchez l'appareil sur une prise 120V/15 A. Mettez l'interrupteur principal sur ON.
5. Placez une tasse sur le plateau d'égouttage de l'appareil pour recueillir l'eau de l'opération d'amorçage.
6. L'écran affichera « Amorçage de l'infuseur » (Prime Brewer), appuyez sur le bouton INFUSER (BREWER) jusqu'à ce que l'eau s'écoule dans la tasse.
7. Laisser l'infuseur atteindre la température d'infusion.

Réglage de la température du point de consigne.

Entrer dans l'écran des paramètres en touchant l'icône de réglage (⚙️) sur l'écran principal. Ensuite, appuyer sur l'icône de verrouillage (🔒) en bas à droite pour accéder à l'écran des paramètres avancés. Entrer le code. (Le code d'accès par défaut est 0400). Sélectionner la température de l'eau et la régler à l'aide des flèches haut et bas à la température désirée. L'appareil est réglé en usine à 195°F (90.6°C).

Consigne recommandée °F (°C)	Altitude en pieds (M)	Ville
200 (93)	0	
198 (92)	1000 (305)	
196 (91)	2000 (610)	
195 (90)	3000 (915)	Calgary
193 (89)	4000 (1219)	
191 (88)	5000 (1524)	Denver/Albuquerque
189 (87)	6000 (1828)	Colorado Springs
187 (86)	7000 (2134)	Santa Fe
185 (85)	8000 (2438)	

Mode d'emploi

Merci de garder ce manuel d'instructions pour une utilisation future.

⚠ ATTENTION

Les sondes d'infusion sont tranchantes. Pour éviter les blessures ne pas mettre les doigts à l'intérieur de la chambre d'infusion. En cas de débordement accidentel, appuyer sur "INFUSER"(BREW) pour arrêter.



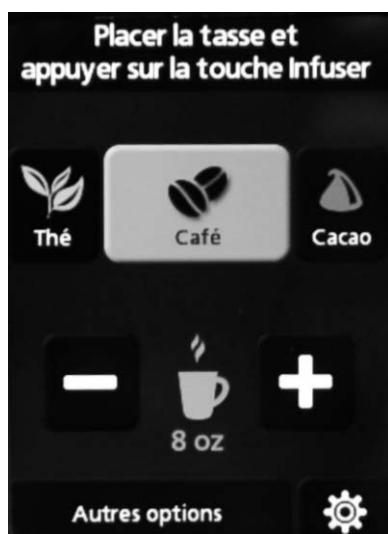
Étape 1 – Levez le couvercle de la chambre d'infusion



Étape 2 – Insérez la capsule RealCup™



Étape 3 – Fermez la chambre d'infusion



Étape 4 – Sélectionnez les paramètres



Étape 5 – Mettez la tasse et appuyez sur le bouton INFUSER



Étape 6 – Enlevez la capsule Real Cup™ et savourez

Mode d'emploi (suite)

Couleurs du bouton INFUSER

ROUGE-BLEU-VERT : Couleur de la séquence de démarrage.

ROUGE : Impulsions pendant le cycle de chauffage. Le voyant clignote rapidement en cas d'anomalie.

JAUNE : Lumière fixe lorsque la chambre d'infusion est ouverte.

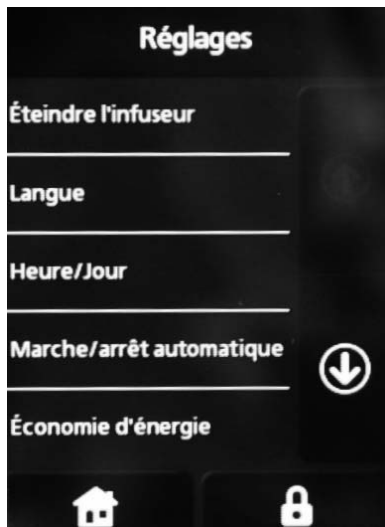
VERT : Lumière fixe une fois prêt à infuser ou à la fin de l'infusion. Impulsions pendant l'infusion.

ORANGE : Une nouvelle capsule doit être mise en place avant d'infuser.

BLEU : Réservoir bas ou opération de détartrage en cours.

Compléter le remplissage de la tasse – Après la fin de l'étape 5, si vous désirez plus d'eau chaude, maintenez appuyé le bouton INFUSER jusqu'au niveau désiré. Lorsque le niveau désiré est atteint, relâchez le bouton INFUSER.

Écrans de réglage



Ecran de réglage : Fournit l'accès à la mise hors tension, aux changements de langue, au réglage heure/jour, aux changements de marche/arrêt automatiques, à l'économie d'énergie, à la lumière du réservoir d'eau, au contact d'entretien, au détartrage de l'infuseur, et à la réinitialisation des paramètres d'usine par défaut (UNIQUEMENT POUR LE PERSONNEL D'ENTRETIEN). Le bouton d'accueil en bas à gauche permet à l'utilisateur de retourner à l'écran "Lift to Brew". Le bouton de verrouillage en bas à droite donne accès à des écrans de réglages avancés (protégé par un code). **Le code d'accès par défaut est 0400.** Si le mot de passe est perdu une réinitialisation d'usine doit être effectuée. Il y a six écrans de réglage utilisables. Les écrans sont Langue, Heure & Jour, Mise en marche de la cafetière

à, Arrêt de la cafetière à, Economie d'énergie, Lumière du réservoir d'eau. La flèche en bas à gauche revient à l'écran précédent des paramètres sans enregistrer les modifications. Le bouton Valider (Confirm) enregistre les modifications et retourne à l'écran de réglage précédent.



Types d'écran

Il y a trois types d'écran:

1. L'écran Lever pour infuser ("Accueil") avec des images de produits et d'ingrédients qui défilent.
2. Ecran de message : Ces images fournissent une instruction pour l'utilisateur de l'infuseur et/ou fournissent le statut d'un process interne qui doit avoir lieu avant l'infusion d'une boisson.
 - Lever pour infuser
 - En chauffe, attendre s'il-vous-plaît
 - Appuyer sur Infuser pour mettre en pause
 - Terminer l'infusion
 - Insérer la capsule Real Cup™
 - Fermer la chambre d'infusion
3. Ecran d'alerte : Les écrans liés à une action obligent l'utilisateur à effectuer une action. Si cette action n'est pas effectuée, l'infuseur ne fonctionnera pas correctement.
 - Amorçage de l'infuseur
 - Remplir le réservoir d'eau
 - S'assurer que le réservoir d'eau est correctement positionné
 - Erreur : Chambre d'infusion ouverte
 - Problème d'écoulement d'eau
 - Eau trop chaude
 - L'eau ne chauffe pas
 - Défaut critique

Mode d'emploi (suite)

Si l'écran des actions a un point d'exclamation rouge, appelez un réparateur. S'il est jaune, une action de l'utilisateur est requise.



- S'assurer que les surfaces environnantes et sous l'infuseur sont nettoyées régulièrement pour éviter d'attirer de la vermine et la croissance des bactéries provenant du café et des sucres déversés.

Vidange: Cette action videra l'eau de l'infuseur. Ne pas placer l'infuseur ou des pièces individuelles dans un lave-vaisselle.

1. Eteindre l'infuseur. Laisser l'infuseur refroidir. Fermer la vanne d'arrivée d'eau (Remplissage automatique seulement) et déconnecter l'arrivée d'eau.
2. Enlever et vider le réservoir.
3. Enlever le panneau arrière, déboucher et vidanger le réservoir. Reboucher et replacer le panneau arrière.
4. Allumer l'infuseur.
5. Mettre une tasse sous la chambre d'infusion, maintenir l'interrupteur de détection de réservoir et démarrer une séquence d'infusion.
6. Continuer la séquence d'infusion jusqu'à ce que l'eau arrête de s'écouler dans la tasse ou jusqu'à ce que l'erreur d'écoulement d'eau s'affiche.

Nettoyage et entretien

▲ DANGER

Pour éviter les chocs électriques, ne pas plonger l'appareil dans l'eau.

▲ ATTENTION

Les sondes d'infusion sont tranchantes. Pour éviter les blessures ne pas mettre les doigts à l'intérieur de la chambre d'infusion.

Nettoyage

Nettoyage quotidien:

- Pour assurer la sécurité alimentaire et le bon fonctionnement, vider le bac de récupération en fonction des besoins et laver dans une solution de produit vaisselle et d'eau, rincer abondamment.
- Toutes les surfaces externes peuvent être nettoyées avec un chiffon doux et humide. Ne pas utiliser de produits abrasifs. Ils pourraient rayer les surfaces externes.
- Ne pas placer l'infuseur ou des pièces individuelles dans un lave-vaisselle.

Nettoyage hebdomadaire:

- Enlever et vider le réservoir et laver dans une solution de produit vaisselle et d'eau, rincer abondamment.

Détartrage : Cette action contribuera à éliminer les dépôts calcaires. **Le processus prendra environ 3,5 heures** et exige 72 onces de vinaigre distillé. Ne pas placer l'infuseur ou des pièces individuelles dans un lave-vaisselle.

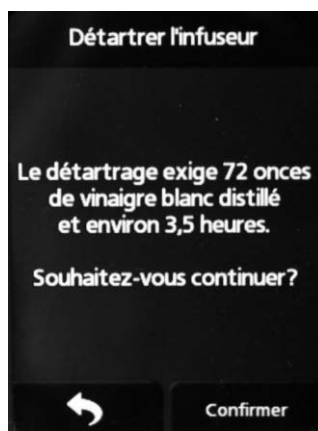
La fréquence de détartrage dépend du niveau de teneur en minéraux de votre eau. Voilà pourquoi nous recommandons d'utiliser de l'eau filtrée ou en bouteille. Les dépôts de calcium ou calcaire peuvent s'accumuler dans votre infuseur et entraver ses performances. Un détartrage régulier de votre cafetière tous les 3 à 6 mois permet d'éviter que cela ne se produise; toutefois, si vous sentez que votre eau a un niveau plus élevé de teneur en minéraux, alors vous devez envisager un détartrage plus fréquent.

Nettoyage et entretien (suite)

Détartrage (suite):



Dans Paramètres, sélectionner Détartrage l'infuseur.



Étape 1 - Fermer le robinet d'arrivée d'eau (modèles à remplissage automatique uniquement). Vider le réservoir. Vider la chambre d'infusion.



Étape 1 : Fermer le robinet d'alimentation en eau. Vider le réservoir d'eau.

Terminé



Étape 2 : Remplir de 72 oz de vinaigre blanc distillé.

Terminé

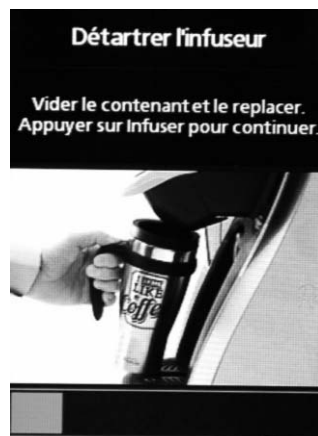
Étape 2 - Ajouter 72 onces de vinaigre blanc distillé dans le réservoir.



Étape 3 : Placer un contenant de 14 oz ou plus et appuyer sur la touche Infuser pour commencer.

Terminé

Étape 3 - Placer un récipient de 14 onces ou plus et appuyer sur le bouton d'infusion.



Vider le contenant et le replacer. Appuyer sur Infuser pour continuer. (6 totale)

Lorsque c'est demandé, vider le récipient, le replacer et appuyer sur le bouton d'infusion pour continuer. (6 totale)



Étape 4 : Laver le ramasse-gouttes et le réservoir à eau. Bien les rincer.

Temps restant : 3h 0m

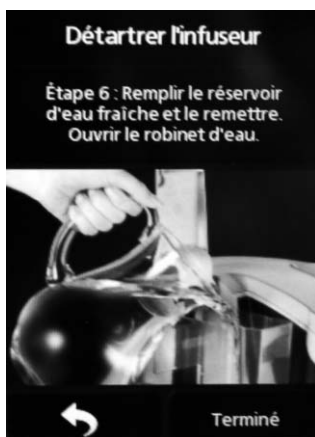
Étape 4 - Laver le bac de récupération et le réservoir. Rincer abondamment. Attendre 3 heures.



Étape 5 : Éteindre l'appareil. Retirer le panneau arrière. Déboucher et vider l'infuseur. Refermer et remettre le panneau.

Terminé

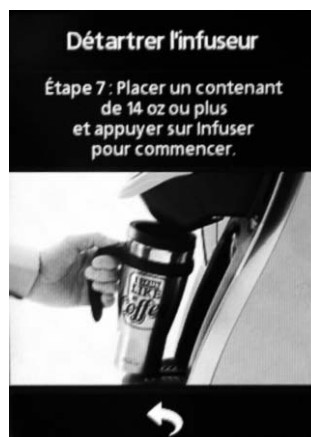
Étape 5 - Retirer le panneau arrière, déboucher et vidanger le réservoir. Reboucher et replacer le panneau arrière.



Étape 6 : Remplir le réservoir d'eau fraîche et le remettre. Ouvrir le robinet d'eau.

Terminé

Étape 6 - Ouvrir la vanne d'arrivée d'eau (Remplissage automatique seulement). Remplir le réservoir avec de l'eau fraîche.



Étape 7 : Placer un contenant de 14 oz ou plus et appuyer sur Infuser pour commencer.

Étape 7 - Placer un récipient de 14 onces ou plus et appuyer sur le bouton d'infusion. Lorsque c'est demandé, vider le récipient, le replacer et appuyer sur le bouton d'infusion pour continuer. (6 totale)



Le détartrage est terminé. Continuer avec des infusions de 12 oz si l'appareil ne produit pas la saveur et les odeurs normales.

Fini

Rincer avec l'infusion 12 onces si le goût et l'odeur normale ne sont pas revenus.

Nettoyage et entretien (suite)

Instructions de nettoyage des sondes:

Ne suivre cette procédure que si vous rencontrez des problèmes avec l'infuseur. Ne pas placer l'infuseur ou des pièces individuelles dans un lave-vaisselle.

⚠ ATTENTION

Les sondes d'infusion sont tranchantes. Pour éviter les blessures, ne pas mettre les doigts à l'intérieur de la chambre d'infusion. Nettoyer les sondes avec extrême prudence.

Nettoyage de la sonde supérieure:

1. Insérer délicatement 1/4 pouce, maximum, d'un trombone propre dans la sonde de distribution supérieure.
2. Rincer abondamment, sans la capsule, avec de l'eau chaude.

Nettoyage de la sonde inférieure:



1. Retirer l'ensemble porte-capsule du plateau.
2. Mettre de côté l'ensemble porte-capsule.
3. Insérer un trombone dans la sonde inférieure à partir du côté inférieur.
4. Rincer abondamment.
5. Remonter l'ensemble porte-capsule et encliqueter sur le plateau d'infusion.

Dépannage

⚠ ATTENTION Les sondes d'infusion sont tranchantes. Pour éviter les blessures ne pas mettre les doigts à l'intérieur de la chambre d'infusion. Pour éviter aux corps étrangers de pénétrer dans l'infuseur, garder la chambre d'infusion et les couvercles de réservoir fermés.

PROBLÈME		SOLUTION
Pas d'alimentation		Vérifier que l'appareil est branché à une prise 120V/ 15A et que l'interrupteur d'alimentation est en position ON.
Message pour remplir le réservoir d'eau	Modèle à remplissage manuel SEULEMENT	Ajouter de l'eau jusqu'au niveau de remplissage du réservoir.
	Modèle à remplissage automatique SEULEMENT	S'assurer que la vanne d'arrêt d'eau est ouverte. Eteindre l'infuseur et redémarrer en utilisant l'interrupteur d'alimentation à l'arrière de l'infuseur.
Le volume infusé est inférieur à la normale		Régler le volume de boisson à l'écran. Si l'erreur persiste, effectuer la procédure de détartrage.
De l'eau coule de la machine quand elle ne fonctionne pas		S'assurer que le réservoir ne soit pas rempli au dessus du niveau de remplissage maximal. Effectuer la procédure de détartrage. Appeler un technicien.
De l'eau coule de la machine (modèle à remplissage manuel SEULEMENT)		Pour un modèle à remplissage manuel, s'assurer que le clapet d'arrivée d'eau est fermé avec le bouchon qui a été fourni avec l'infuseur.
De l'eau fuit de la machine quand elle fonctionne		Retirer le couvercle du tuyau de vidange et vérifier que le tuyau de vidange est correctement branché.
Le voyant rouge clignote en permanence		Appuyer sur le bouton d'alimentation pendant 5 secondes. Si cela continue de clignoter, contacter un technicien.
L'appareil ne semble pas amorcé	La conductivité de l'eau est trop faible pour le niveau de détection du circuit.	Ne pas utiliser d'eau osmosée, déminéralisée, ou distillée.
L'appareil surchauffe ou bout	La température de consigne est trop élevée.	Diminuer la température de consigne de 10 degrés et réessayer.
Ruptures de capsule	Sonde de sortie obstruée	Nettoyer la sonde de sortie avec un trombone et bien rincer. Suivre les instructions de nettoyage de la sonde dans la section Nettoyage et entretien.
	Défaut de joint de capsule	Déterminer si cela est lié à un type de capsule particulier. Changer de marque si nécessaire. Ne pas utiliser les marques de capsule qui sont sujettes à se détériorer.
	La température de l'eau est trop élevée pour le papier filtre	Diminuer la température de consigne de l'eau de 10 degrés.
	Le porte-capsule n'est pas enclenché dans le bac correctement. Le couvercle de la chambre d'infusion a été fermé et ouvert sans changer de capsule	Vérifier que le porte-capsule est complètement enclenché dans le bac. Vérifier que le film de la capsule est déchirée à l'endroit où la sonde la perforé. Éviter d'ouvrir et de fermer la chambre pour empêcher une double perforation des capsules.

Dépannage (suite)

⚠ ATTENTION Les sondes d'infusion sont tranchantes. Pour éviter les blessures ne pas mettre les doigts à l'intérieur de la chambre d'infusion. Pour éviter aux corps étrangers de pénétrer dans l'infuseur, garder la chambre d'infusion et les couvercles de réservoir fermés.

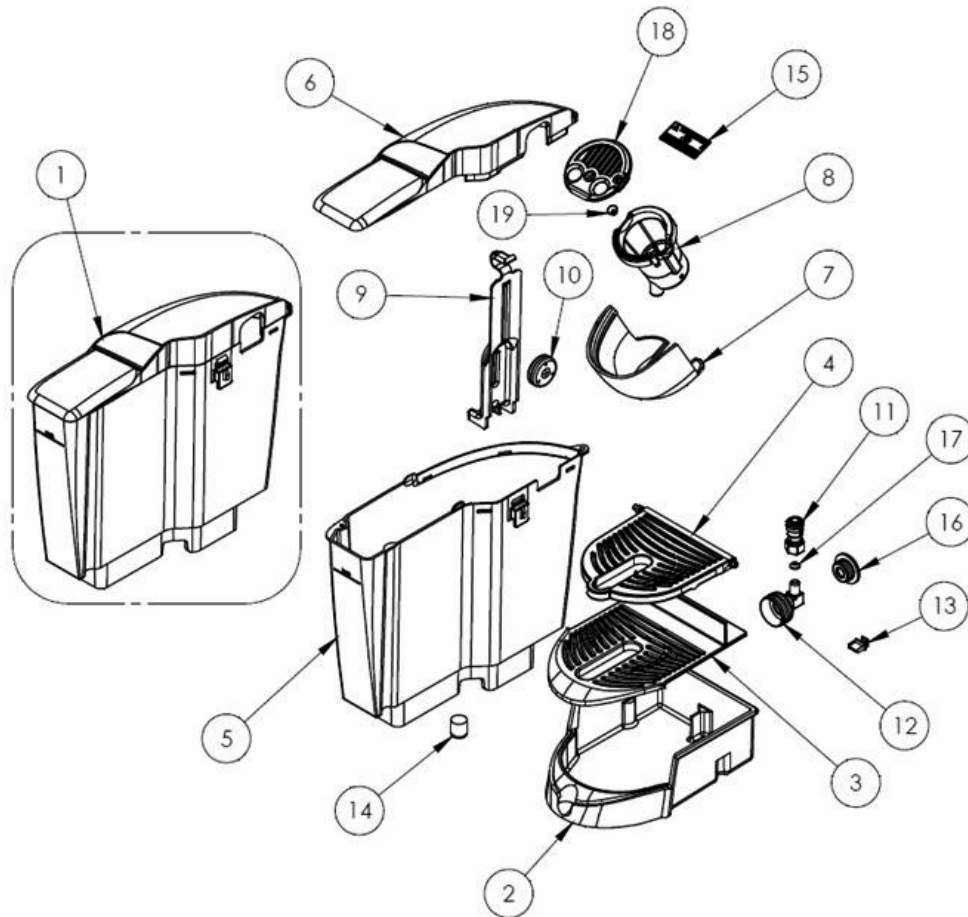
PROBLÈME	SOLUTION	
Ruptures de capsule	Les capsules de café de grande capacité gonflent et rompent pour des réglages de grand volume	Enlever le réglage de grand volume du menu. Eviter l'utilisation de capsules gênantes.
De l'eau coule de la chambre d'infusion pendant l'infusion	L'eau coule du joint d'entrée	S'assurer que le joint d'étanchéité de l'entrée supérieure est installé correctement.
L'écran indique de replacer le réservoir	Le réservoir n'est pas installé correctement	S'assurer que le réservoir est placé en bordure gauche de l'infuseur pour engager le contacteur de présence.
L'écran indique un niveau d'eau faible ou nul	Flotteur de niveau absent du réservoir L'alimentation en eau de la machine est coupée L'appareil attend un remplissage manuel	Replacer le flotteur dans le réservoir. Restaurer l'alimentation en eau à l'appareil. Remplir le réservoir manuellement.
La chambre d'infusion s'ouvre pendant l'infusion	Le porte-capsule n'est pas enclenché correctement dans le bac La chambre d'infusion n'est pas complètement verrouillée	S'assurer que le porte-capsule est enclenché complètement dans le bac. S'assurer que le loquet est enclenché en position à la fermeture.
De l'eau claire est distribuée au cours de l'infusion	L'orifice d'entrée ou de sortie est obstrué par des grains de café La sonde d'entrée n'a pas complètement perforé le film de la capsule	Insérer un trombone déplié dans la sonde de distribution supérieure, pas plus de 1/4 de pouce, pour enlever délicatement le blocage. Sur le porte-capsule, retirer le support du plateau et retirer le boîtier inférieur du boîtier supérieur. Insérez le trombone dans la sonde inférieure depuis le fond pour enlever tout blocage et ré-assembler. Essayer différentes marques de capsule.
L'eau depuis la sélection de distribution d'eau chaude n'est pas claire	L'eau chaude d'infusion rince le porte-capsule de tous les produits précédemment distribués.	Effectuer un rinçage à l'eau chaude et jeter l'eau si de l'eau plus pure est souhaitée. Nettoyer régulièrement la chambre d'infusion et le joint de l'entrée supérieure.
Défaut critique après l'amorçage	Détection de l'ouverture d'une thermistance	Laisser l'appareil atteindre la température ambiante pendant 1/2 heure. Enclencher l'interrupteur d'alimentation et vérifier le bon fonctionnement.
Indication de faible débit	Le réservoir est bas et le flotteur du réservoir n'est pas en position L'appareil a été exposé au gel (le système de tuyauterie est gelé)	Vérifier que le flotteur de niveau est en position et n'a pas été délogé au cours de la livraison ou replacé après le nettoyage. Laisser l'appareil atteindre la température ambiante pour permettre à la tuyauterie de dégeler. Eteindre puis rallumer pour déterminer s'il y a des dommages irréversibles.

Si vous avez besoin d'aide complémentaire, appelez le Service Technique de GMCW, (502) 425-4776 ou (800) 695-4500 (États-Unis et Canada uniquement) (du lundi au vendredi 8 heures-18 heures HNE). Veuillez avoir les numéros de modèle et de série à portée de la main pour pouvoir obtenir des renseignements exacts.

Une autorisation préalable doit être obtenue auprès de GMCW pour toute réclamation de garantie.

Consulter GMCW.com pour les informations sur la garantie actuelle.

Pièces de rechange utilisateur



Repère No.	Pièce No.	Description	Qté
1	230-00001	Ensemble réservoir	1
2	210-00030	Plateau d'égouttage - une tasse	1
3	210-00031	Grille - une tasse	1
4	230-00004	Ensemble de l'abaisseur de grille	1
5	210-00051	Réservoir	1
6	230-00044	Ensemble une pièce du couvercle du réservoir	1
7	210-00004	Capot	1
8	230-00015	Ensemble du porte-capsule	1
9	210-00052	Guide du flotteur	1
10	230-00021	Ensemble du flotteur	1
11	359-00003	Raccord conique, Mur-Lok 1/4 X 1/4	1
12	359-00031	Raccord assemblé, 1/4 conique X 3/4 tuyau pivotant	1
13	B256A	Cache, port USB	1
14	280-00001	Clapet anti-retour DW15	1
15	380-00020	Etiquette d'avertissement d'eau chaude	1
16	210-00235	Bouchon de la valve d'arrivée d'eau	1
17	359-00115	Joint d'étanchéité, 1/4" SAE conique	1
18	210-00283	Tampon, joint intérieur une tasse	1
19	210-00023	Joint, sonde inférieure	1

GMCW

4003 Collins Lane, Louisville, KY 40245 USA
Phone: 502.425.4776 Toll Free: 800.695.4500
Fax: 502.425.4664
Web: gmcw.com Email: info@gmcw.com

©2013 GMCW
Imprimé en Thaïlande

0515 Form # BW-305-03
Élément # 390-00005