

THREE WARMER POUROVER COFFEE BREWERS

Project

Date

Models

CPO-3P-15A
CPO-3RP-15A
CPO-3P-CE
CPO-3RP-CE

Item #

Quantity



Model CPO-3P



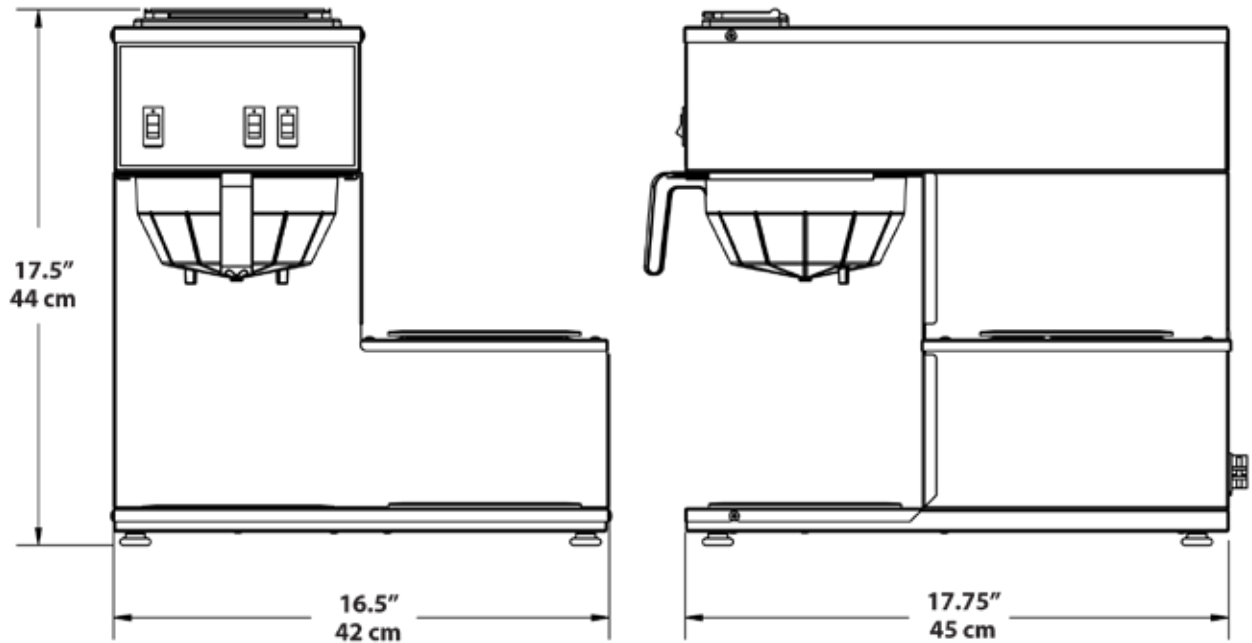
Model CPO-3RP

Features

- Solid and dependable portable pourover brewers.
- Stand-alone, temperature-controlled powerhouses brew directly into decanters.
- Two additional warmers to keep extra decanters of coffee ready to be served.
- All stainless steel construction.
- Completely portable unit.
- Requires no plumbing.
- 1.2 gallon (4.5 L) tank capacity.
- CPO-3P is a compact 8.25" (21 cm) wide.



THREE WARMER POUROVER COFFEE BREWERS



Model CPO-3RP-15A represented



MODEL	DESCRIPTION	ELECTRICAL	PRODUCT DIMENSIONS (H X W X D)	SHIPPING DIMENSIONS (H X W X D)	SHIP WEIGHT
CPO-3P-15A (0002-30001)	Warmers - 3 total: 2 top and 1 bottom	120V / 15A 1.7 kW / 1 Ph	18.5" x 8.25" x 17.75" (47 cm x 21 cm x 45 cm)	23" x 12.5" x 24" (58 cm x 32 cm x 61 cm)	44 lbs. (20 kg)
CPO-3RP-15A (0002-30005)	Warmers - 3 total: 1 right top, 1 bottom, and 1 right bottom	120V / 15A 1.7 kW / 1 Ph	17.5" x 16.5" x 17.75" (44 cm x 42 cm x 45 cm)	23" x 20.5" x 24" (58 cm x 52 cm x 61 cm)	35 lbs. (15.9 kg)
CPO-3RP-15A (0002-30005)	Warmers - 3 total: 2 top and 1 bottom	230V / 50/60 Hz 2.62 kW / 11.4A	18.5" x 8.25" x 17.75" (47 cm x 21 cm x 45 cm)	23" x 12.5" x 24" (58 cm x 32 cm x 61 cm)	26 lbs. (11.8 kg)
CPO-3RP-CE (0002-30009)	Warmers - 3 total: 1 right top, 1 bottom, 1 right bottom	230V / 50/60 Hz 2.62 kW / 11.4A	17.5" x 16.5" x 17.75" (44 cm x 42 cm x 45 cm)	23" x 20.5" x 24" (58 cm x 52 cm x 61 cm)	35 lbs. (15.9 kg)

Electrical: NEMA 5-15P or 5-20P line cord included.

Note: Decanters sold separately.