

Model B-SGP

PRECISION BREW™ Single Thermal Gravity Container Brewer



Model B-SGP

(Container sold separately)

Digitally controlled gravity container brewer holds brew temperature to $\pm 1^{\circ}\text{F}$ throughout brew cycle. Brew temperature, brew volume, operator defined pre-infusion/pulse brewing, and low temp/no brew are programmable from the front display.



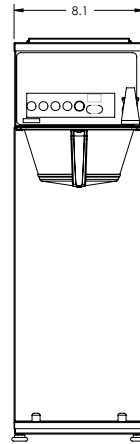
GRINDMASTER™
CORPORATION



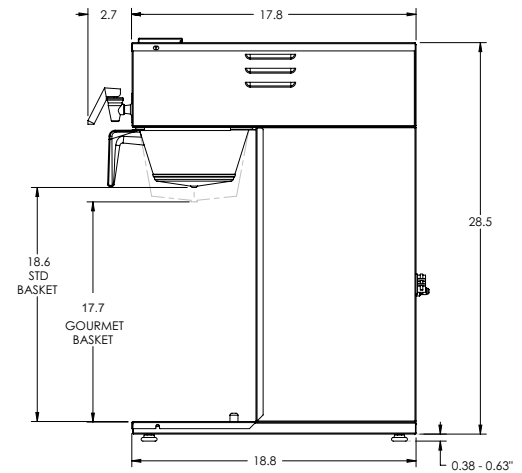
Model B-SGP

Features

- Model B-SGP is a single, digitally controlled brewer. It brews into a 2.5L (85oz.) vacuum insulated gravity container (container sold separately).
- Vacuum insulated gravity container model GP-2.5 is portable and holds fresh coffee for hours without adding heat (container sold separately).
- Precise Brew Temperature - The brewer will hold the brew temperature to +/- 1°F during the complete brew cycle.
- Brew Volume - Can be set by 'teach' mode to eliminate trial-and-error set-up.
- Pulse brewing/pre-infusion - Allows brew sequence to extract up to 20% more dissolved solids per batch of coffee. Programmable: number of pulses, pulse-on time and pulse-off time. Changing the pulse sequence does not affect the brew volume.
- Low Temp/No Brew - Allows the brew cycle to begin only when the water has reached the optimum brew temperature.
- Cycle Counter - The brewer counts the total number of brew cycles.
- Programming Lock-Out - The brewer settings can be "locked" to prevent tampering.
- Gourmet Brew basket, (pn 71431) available as an option.
- Warranty - 2 years parts and labor on the brewer. 3 years part warranty on the control board.



FRONT VIEW



SIDE VIEW

Specification	Model B-SGP
Electrical	120V, 1780W, 14.9A 120/240V, 3500W, 14.6A 120/208V, 2630W, 12.7A <i>European voltages available</i>
Brew Capacity (# of 2.5 liter containers / hour)	@120V: 7 @ 240V: 14 @ 208V: 10
Water Line	1/4" Flare
Water Line Pressure	30 to 80 psi
Tank Drain	Yes
Tank Size	1.4 Gallons
Dimensions (H x W x D)	29" H x 8-1/4" W x 17-3/4"D (73 cm x 20 cm x 46 cm)
Ship Dimensions (H x W x D)	32" H x 13" W x 24"D (81 cm x 31 cm x 61 cm)
Weight	28 lbs (12.7 kg)
Ship Weight	37 lbs (16.8 kg)
Listings	UL, CUL, NSF, (CE for E models only)

Specifications are subject to improvement or change without notice.



GRINDMASTER™
CORPORATION



Grindmaster® Coffee Grinders and Brewers • Espresso® Espresso Machines • Crathco® Hot Beverage Dispensers
Crathco® Cold and Frozen Beverage Dispensers • American Metal Ware® Coffee and Tea Systems
Tel (502) 425-4776 • Fax (502) 425-4664 • 1-800-695-4500 (USA & Canada only)

P.O. Box 35020 • Louisville, KY 40232 • USA