



GRINDMASTER™
CORPORATION

Item # _____

Project _____

Date _____



PIC-2



PIC-23A

Model PIC-2 Two Head Powdered Specialty Beverage Dispensers

Features:

- Large, Clear-View™ hopper for fast product level visibility
- Large, bold, front-lit graphics draw more attention and sales
- Patented safety rib on dispense nozzle and generous cup clearance assures cups don't catch
- Direct Drive Hoppers - Self-aligning pin and link hopper drive for durability and easy install
- Visible dispense spout and cup guide on drip tray clearly indicate cup placement for ease of self-service
- Option of continuous flow dispensing for a variety of drink sizes (PIC-2) or easily programmable portion control for one touch dispensing (PIC-2A, PIC-23A)
- Generous cup clearance accommodates most cup sizes
- Sturdy metal door with molded European style cover
- Optional water pump allows unit to operate in remote location from bottled water (ideal for catering)

Ideal for dispensing a variety of products including cappuccino, hot chocolate, soup, chai tea, steamed milk, hot apple cider, flavored cappuccinos and gourmet cocoas.



GRINDMASTER™
CORPORATION



Grindmaster® Coffee Grinders and Brewers • Espresso® Espresso Machines • Crathco® Hot Beverage Dispensers
Crathco® Cold and Frozen Beverage Dispensers • American Metal Ware® Coffee and Tea Systems
Tel (502) 425-4776 • Fax (502) 425-4664 • 1-800-695-4500 (USA & Canada only)
P.O. Box 35020 • Louisville, KY 40232 • USA
www.grindmaster.com • email: info@grindmaster.com

Model PIC-2 - Two Head

Powdered Specialty Beverage Dispensers

Choice of backlit signs:



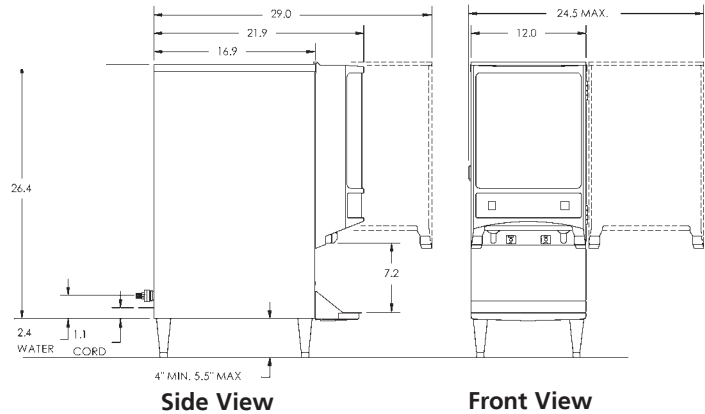
Choice of Controls:



CONTINUOUS FLOW DISPENSING (PIC-2) OR SINGLE PORTION CONTROL (PIC-2A)



PROGRAMMABLE PORTION CONTROL - THREE PORTIONS PER HEAD (PIC-23A)



Specifications	PIC-2, PIC-2A, PIC-23A, PSD-2 (120V/60Hz)	PIC-2Q, PIC-2AQ, PIC-23AQ, PSD-2Q (120/240V, 60Hz)	PIC-2E, PIC-2AE, PIC-23AE, PSD-2E (230V, 50/60Hz)
Volts/Watts/Amps	120V-60Hz / 1650W / 14A	120V/240V, 60Hz, 2500W, 10.4A	230V-50/60Hz / 2400W / 10.5A
Water Line	1/4" (6.35mm) flare	1/4" (6.35mm) flare	1/4" (6.35mm) flare
Tank Size	3.5 gallons (13.2L)	3.5 gallons (13.2L)	3.5 gallons (13.2L)
Cup Clearance	PIC-2: 7" (18 cm) PIC-2-CUL, PSD-2: 4.4" (11.2 cm)	7" (18 cm)	4.4" (11.2 cm)
Dimensions (H x W x D)	26-1/2" * x 12" x 22" (67 cm x 30 cm x 56 cm)	26-1/2" * x 12" x 22" (67 cm x 30 cm x 56 cm)	26-1/2" * x 12" x 22" (67 cm x 30 cm x 56 cm)
Ship Dimensions (H x W x D)	32" x 16 1/2" x 26-3/4" (81 cm x 42 cm x 68 cm)	32" x 16 1/2" x 26-3/4" (81 cm x 42 cm x 68 cm)	32" x 16 1/2" x 26-3/4" (81 cm x 42 cm x 68 cm)
Weight	71 lbs (32 kg)	71 lbs (32 kg)	71 lbs (32 kg)
Ship Weight	81 lbs (37 kg)	81 lbs (37 kg)	81 lbs (37 kg)
Listings	UL, NSF (15A cord & plug) CUL units: CUL, UL, NSF (1400W - 15A cord; 1650W - 20A cord)	UL, CUL, NSF	CE, NSF

Specifications are subject to improvement or change without notice.

* Does not include adjustable 4" (10 cm) legs

Options (Standard PIC-2 has manual flow dispensing)

Portion Control - 3 cup sizes & top off (add "3A" to model #)	Dispenses preset portion of product at the push of a button - 3 cup sizes (small, medium, large) per head plus top off button are easily programmed
Portion Control - 1 cup size (add "A" to model #)	Dispenses preset portion of product at the push of a button - one cup size per head
Soup Option (Model PSD-2)	Comes with soup graphics, soup flavor strips, soup dispenser nozzle, and larger drain tray (for 4.4" (11.2 cm) cup clearance)
Dual Pinwheel in Hopper	Provides additional circulation in hopper for dense products (additional cost applies)
Water Pump Option (add "P" to model #)	Water pump installed inside unit allows machine to draw water from remote or bottled water supply (additional cost applies)
4" Adjustable Legs (order accessory Part # 61188)	Raises units from counter to allow easy access under unit for cleaning, or allows clearance to connect 5/8" ID (15.8mm) silicone drain hose to drain trays on units with 6" cup clearance. Add 4-5" to unit height when legs are installed (additional cost applies).
High Wattage (Add "Q" to model #)	2500W heater offers extra quick recovery for added capacity
Key Lock	Lock on door offers added security (additional cost applies)
Cup Counter / External Drink Strength Adjustment <i>Standard units include drink strength adjustments on control board.</i>	Cup counters provide sales tracking and category management data. External drink strength adjustment (behind drip trays) offers easy access to drink settings for recipe changes. (additional cost applies)



GRINDMASTER
CORPORATION



Grindmaster® Coffee Grinders and Brewers • Espresso® Espresso Machines • Crathco® Hot Beverage Dispensers
Crathco® Cold and Frozen Beverage Dispensers • American Metal Ware® Coffee and Tea Systems
Tel (502) 425-4776 • Fax (502) 425-4664 • 1-800-695-4500 (USA & Canada only)
P.O. Box 35020 • Louisville, KY 40232 • USA