



**GRINDMASTER™**  
CORPORATION

Item # \_\_\_\_\_

Project \_\_\_\_\_

Date \_\_\_\_\_

## Model PIC-5 Five Flavor Powdered Specialty Beverage Dispenser



- More flavors, more choices, more customers: flavored cappuccinos, gourmet cocoas, chai tea, milk steamers, cider, coffee, tea, hot chocolate, soup.
- 270° high impact graphics with stopping power - large, bold, front-lit graphics and full coverage side merchandisers\* draw more attention and sales.
- Oversized push buttons invite customers to dispense. Microswitch reliability tested to 10,000,000 cycles.
- Curved panel and cup guide on drain tray allow easy self-service without waste.
- Large, Clear-View™ hoppers offer fast product level visibility.
- Direct Drive Hoppers - self-aligning pin and link hopper drive system for easy install.
- More is better... 1½ gallon (6 liter) drain tray holds more so you can empty it less. Drain connect option included.
- Patented safety rib on dispense nozzle assures cups don't catch.
- Generous cup clearance allows space for popular C-Store cup sizes.
- Insulated high capacity 5 gallon (19L) water tank for peak demand - economically operates at 75W standby for about the same cost as a 75W lightbulb.
- Durable metal construction stands up to the test of time - even in the busiest locations!
- Easy access graphics cover over light, easy to change "channel mounted" side graphics.

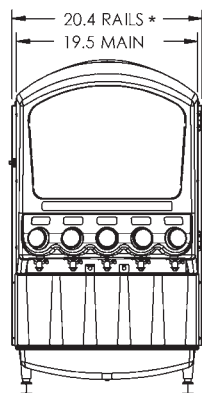
\* side merchandisers are optional - see Island Option



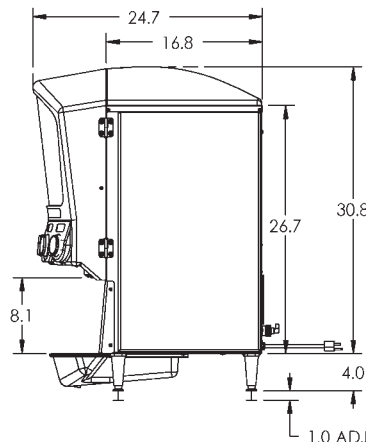
**GRINDMASTER™**  
CORPORATION

Grindmaster® Coffee Grinders and Brewers • Espresso® Espresso Machines • Crathco® Hot Beverage Dispensers  
Crathco® Cold and Frozen Beverage Dispensers • American Metal Ware® Coffee and Tea Systems  
Tel (502) 425-4776 • Fax (502) 425-4664 • 1-800-695-4500  
P.O. Box 35020 • Louisville, KY 40232 • USA  
www.grindmaster.com • email: info@grindmaster.com

# Model PIC-5 - Five Flavor Powdered Specialty Beverage Dispenser



\* Rails are included with Island Option



Specifications	PIC-5 (120V / 60Hz)	PIC-5Q (120/240V, 60Hz)
Volts/Watts/Amps	PIC-5: 120V-60Hz / 1650W / 14A PIC-5CUL: 120V-60Hz / 1400W / 12A	PIC-5Q: 120/240V, 60Hz, 2500W, 10.4A
Water Line	1/4" (6.35mm) flare	1/4" (6.35mm) flare
Water Tank Size	5 gallon (19L) insulated tank	5 gallon (19L) insulated tank
Cup Clearance	8.1" (21 cm)	8.1" (21 cm)
Dimensions (H x W x D)	34.8"-35.8" H x 20.4" W x 24.7" D (88 - 91 cm x 52 cm x 63 cm)	34.8"-35.8" H x 20.4" W x 24.7" D (88 - 91 cm x 52 cm x 63 cm)
Ship Dimensions (H x W x D)	44" H x 30.25" W x 30.25" D 112 cm x 77 cm x 77 cm	44" H x 30.25" W x 30.25" D 112 cm x 77 cm x 77 cm
Weight	114 lbs. (52 kg)	114 lbs. (52 kg)
Ship Weight	130 lbs. (59 kg)	130 lbs. (59 kg)
Listings	UL, NSF, CUL	UL, NSF, CUL

Specifications are subject to improvement or change without notice.

## Options and Accessories\*

Dual Pinwheel in Hopper	Provides additional circulation in hopper for dense products.
Water Pump (Part # 60568) (115V/60Hz)	External water pump allows standard machine to operate off of remote water reservoir.
Island Option	Full coverage side merchandisers expand coverage to a high impact 270°.
Key Lock	Lock on door offers added security.
Soluble Coffee Option	Serve fresh, hot coffee fast using your soluble coffee.

\* Additional cost applies



**GRINDMASTER™**  
CORPORATION



Grindmaster® Coffee Grinders and Brewers • Espresso® Espresso Machines • Crathco® Hot Beverage Dispensers  
Crathco® Cold and Frozen Beverage Dispensers • American Metal Ware® Coffee and Tea Systems  
Tel (502) 425-4776 • Fax (502) 425-4664 • 1-800-695-4500  
P.O. Box 35020 • Louisville, KY 40232 • USA

www.grindmaster.com • email: info@grindmaster.com