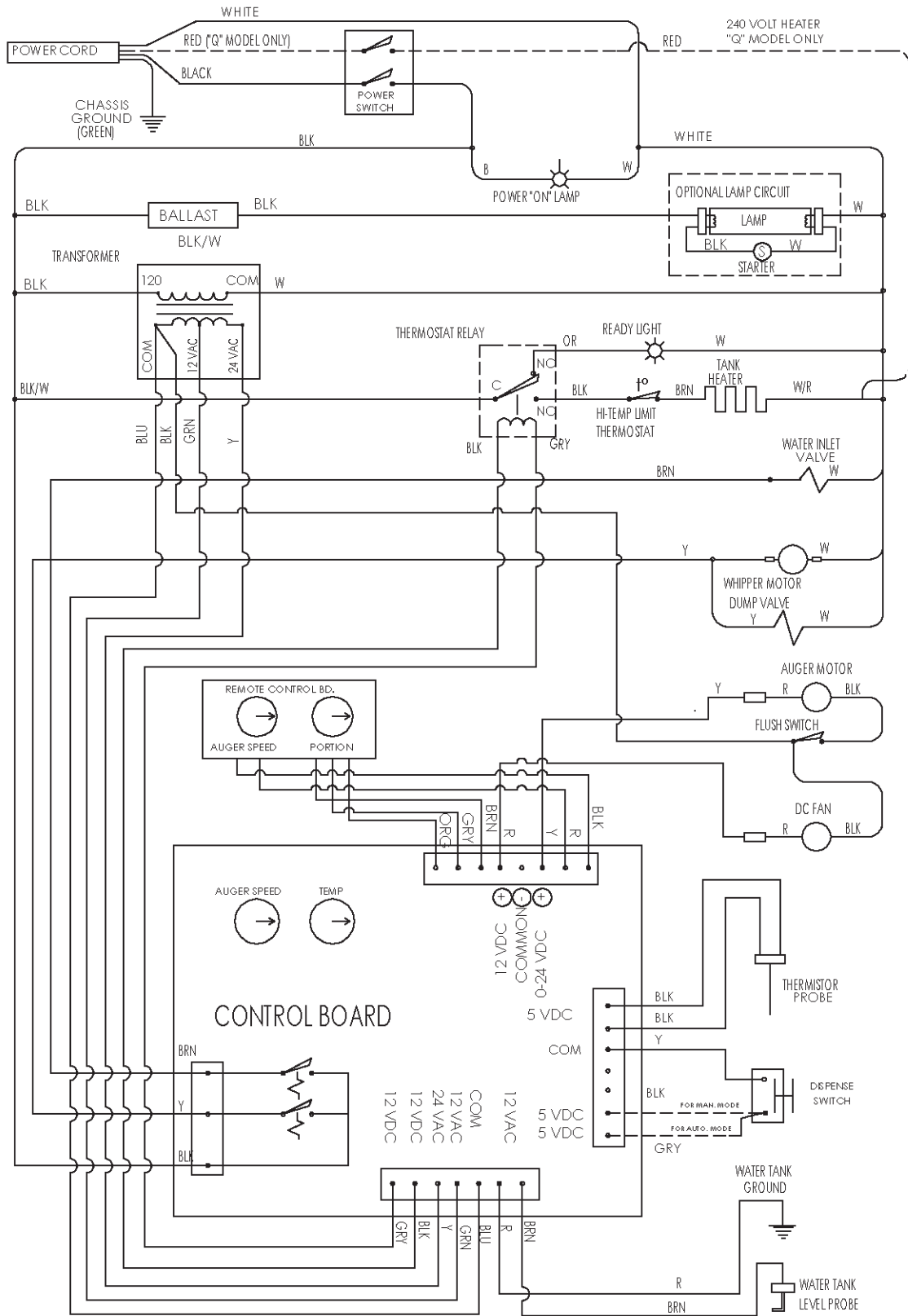
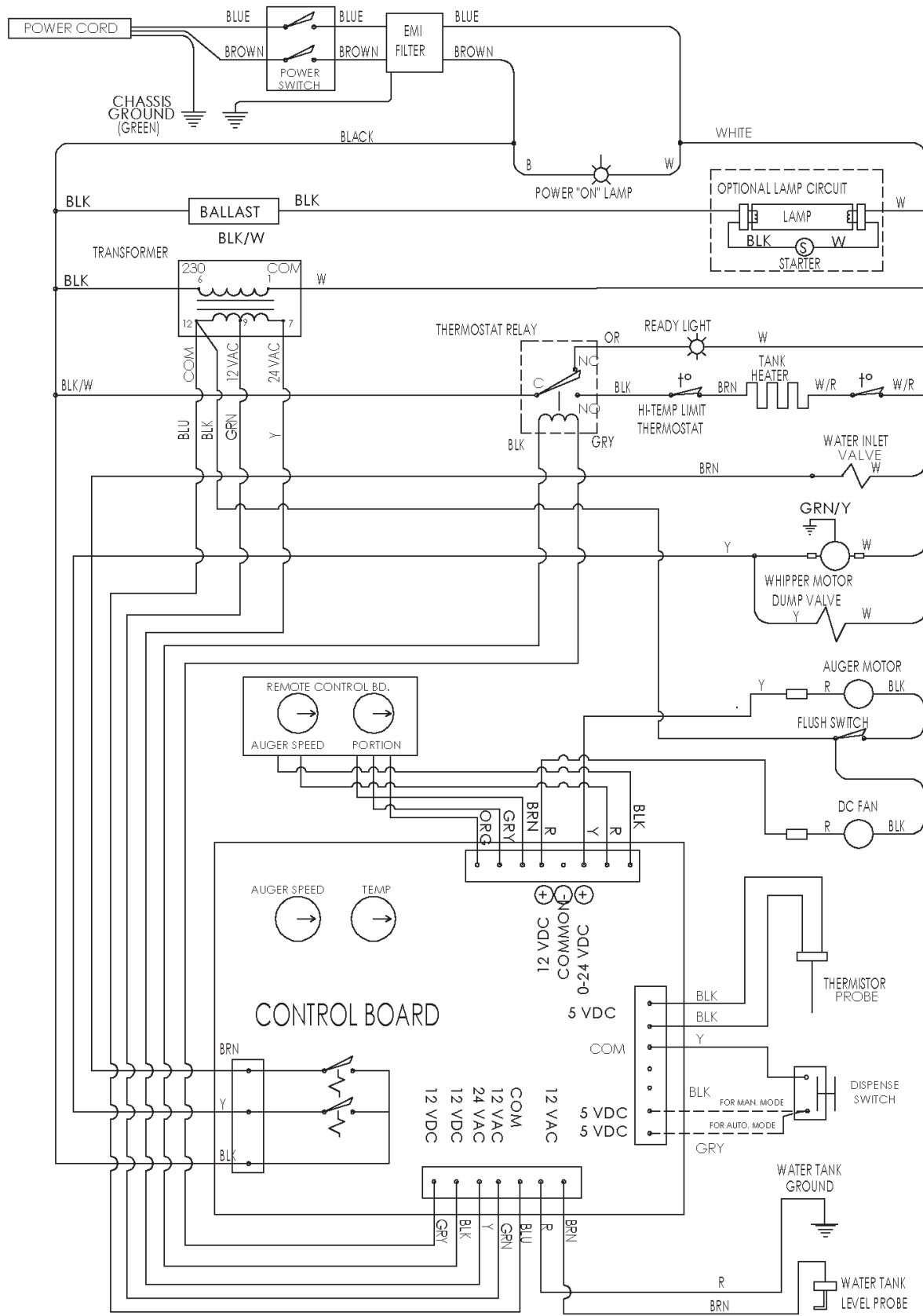


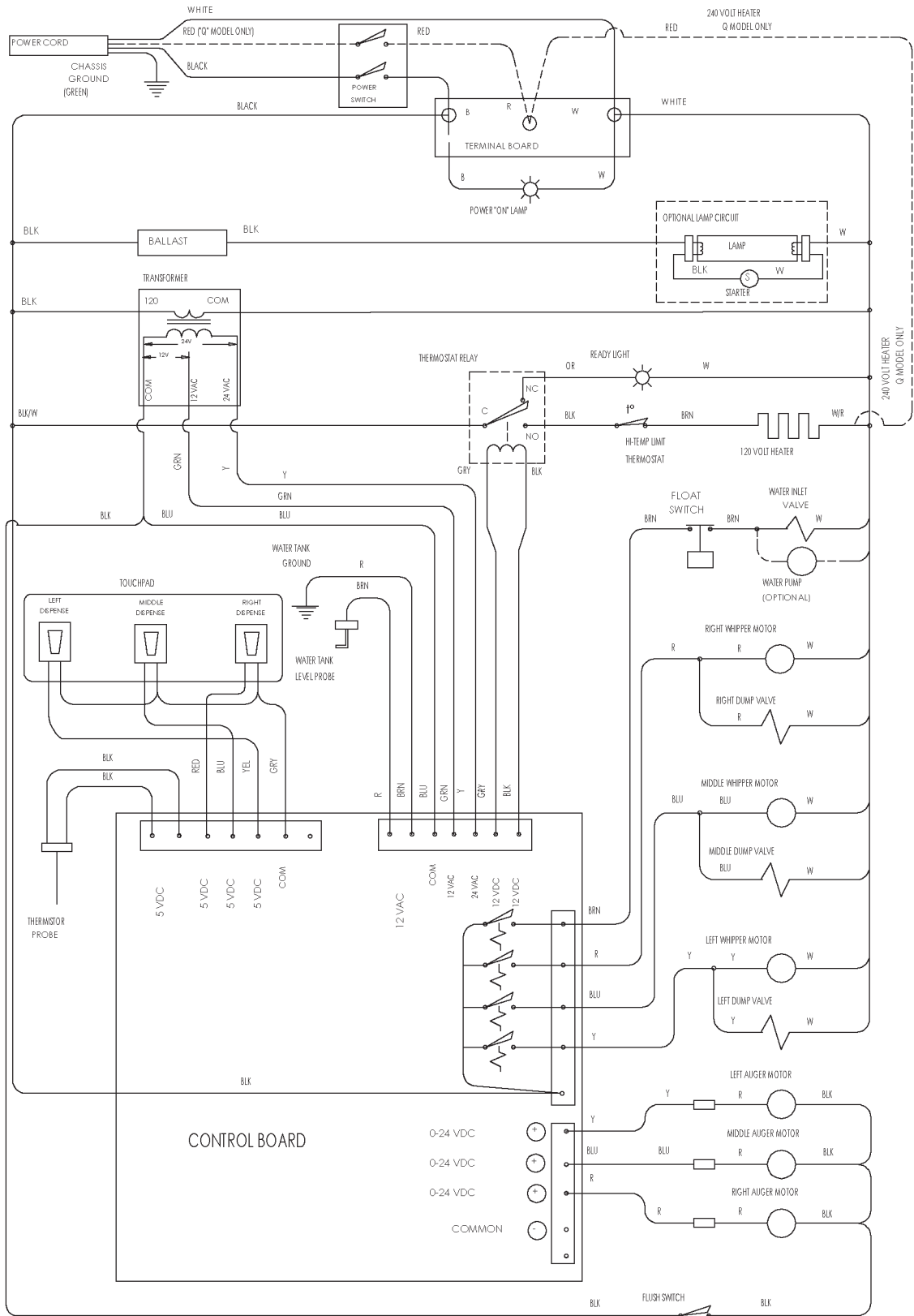
# PIC 1 120V and 120/240V "Q" Model Wiring



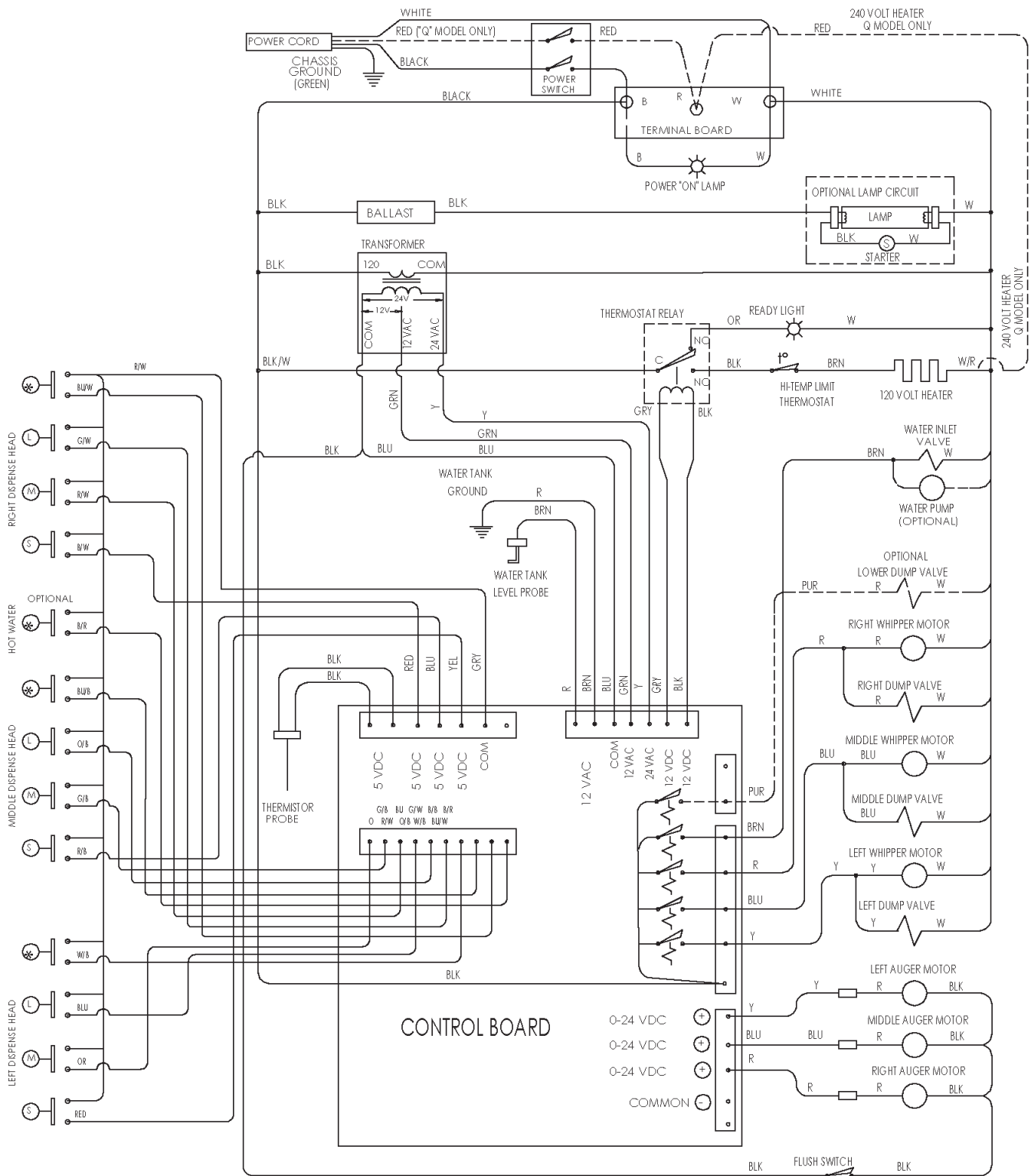
# PIC 1 230V "E" Model Wiring



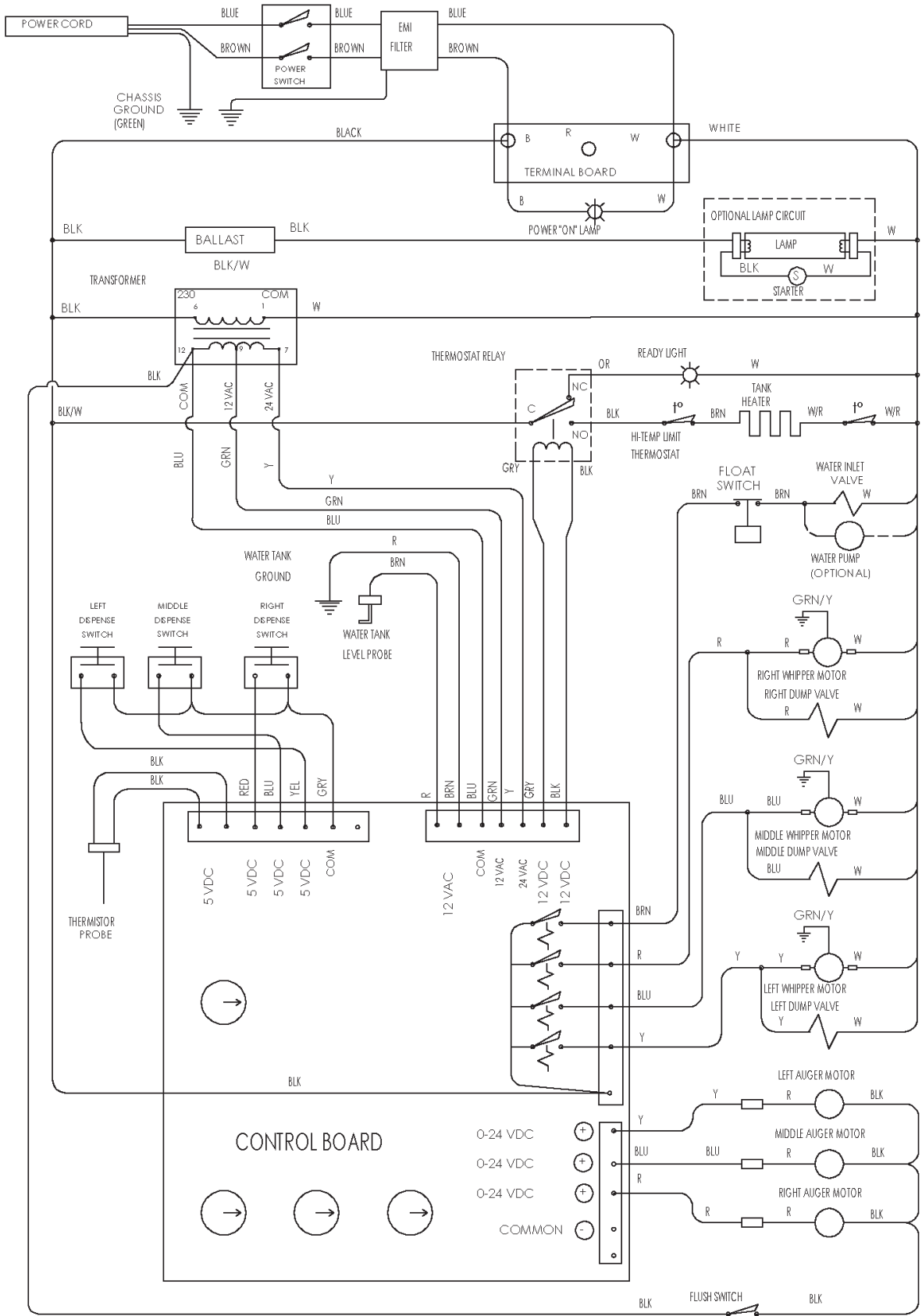
# PIC 2/3 120 & 120/240V "Q" Model Wiring



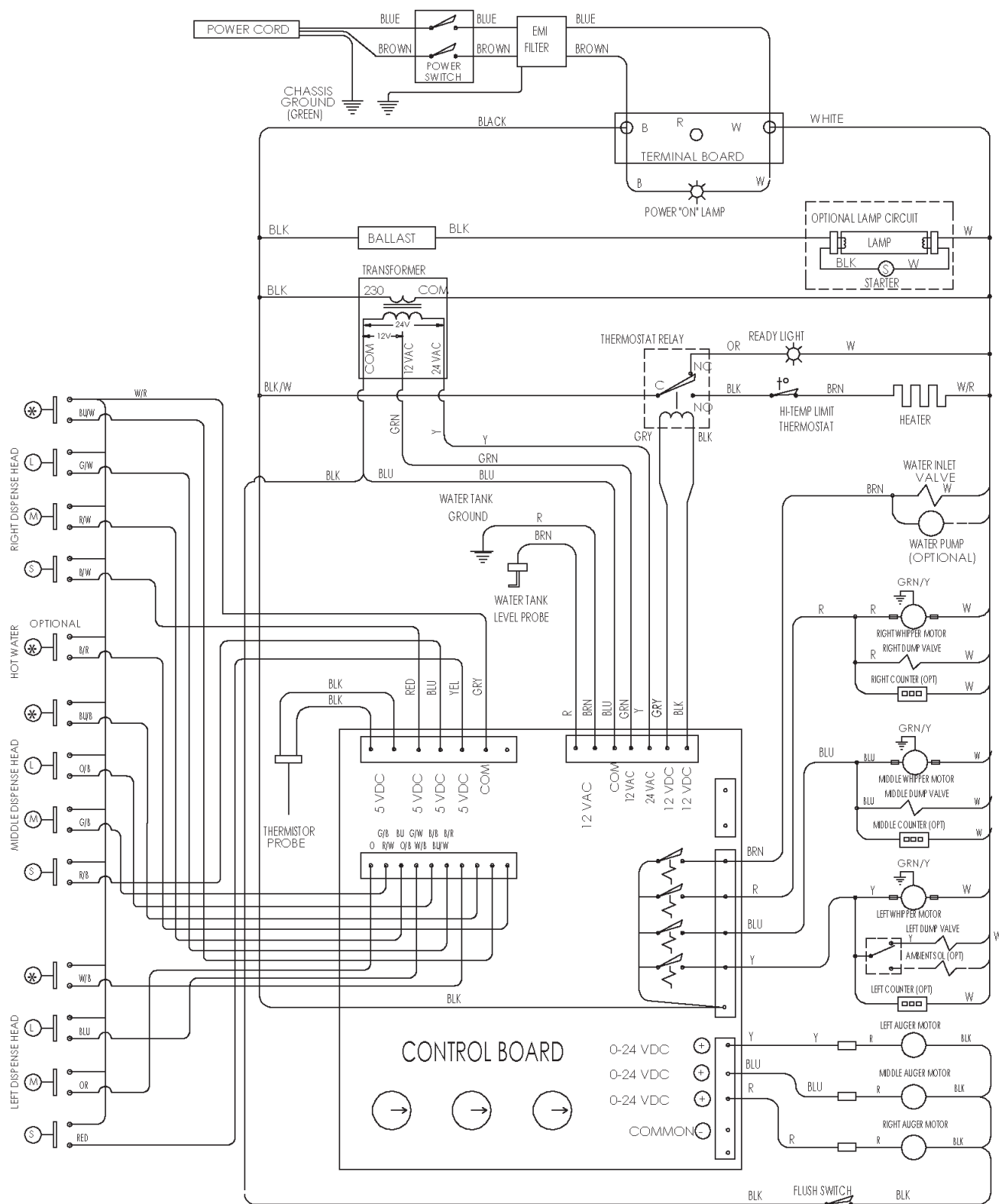
# PIC 23A, PIC33A 120 & 120/240V "Q" Model with 3-Portion Touch Pads



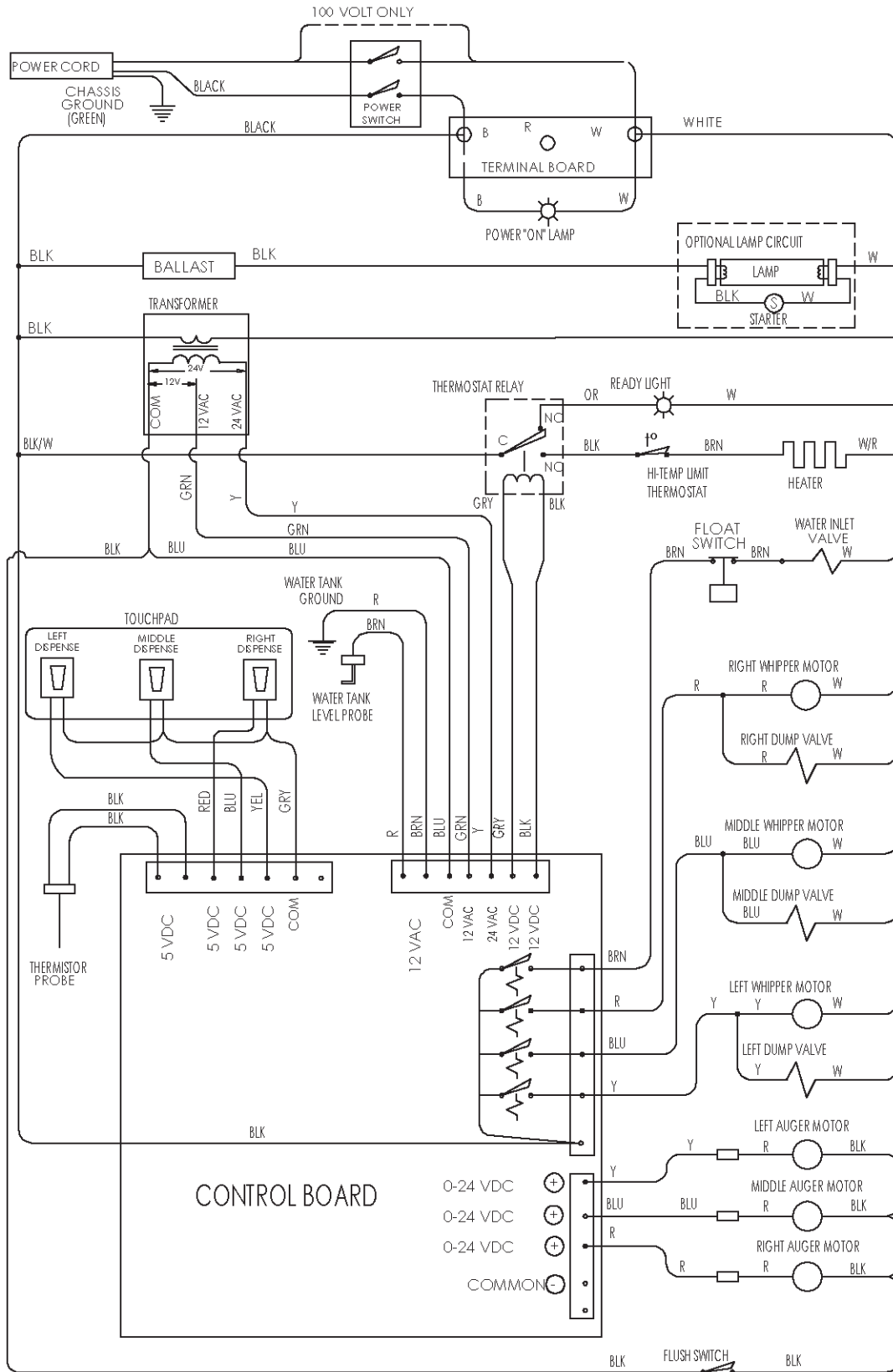
# PIC 2/3 230V "E" Model Wiring



# PIC33AE 230V "CE" Model Wiring with 3-Portion Touch Pads

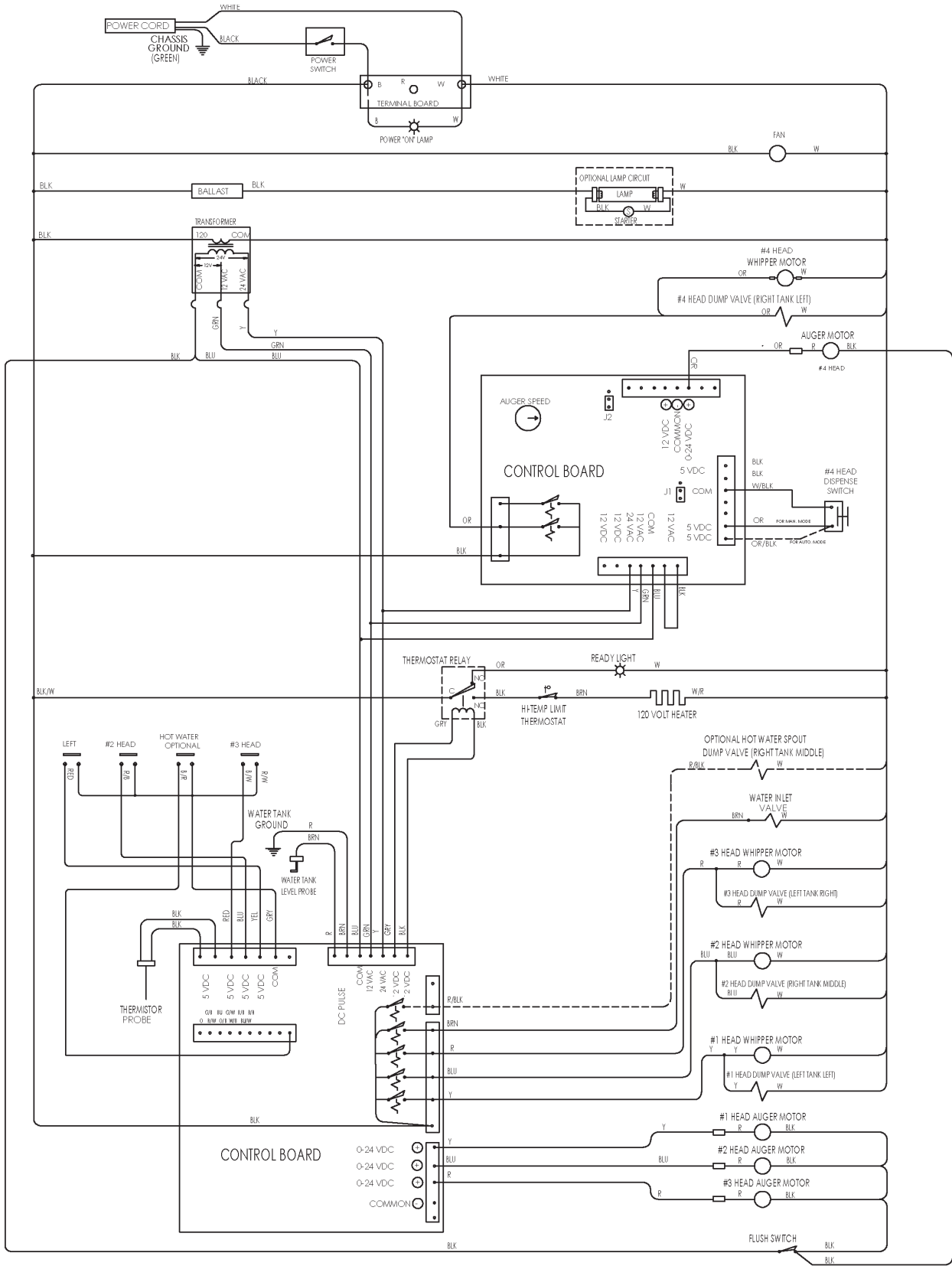


# PIC 2/3 100 & 200V "J" Model Wiring





# PIC 4 Wiring



# PIC43A 120V & PIC43AQ 120/240V Wiring

