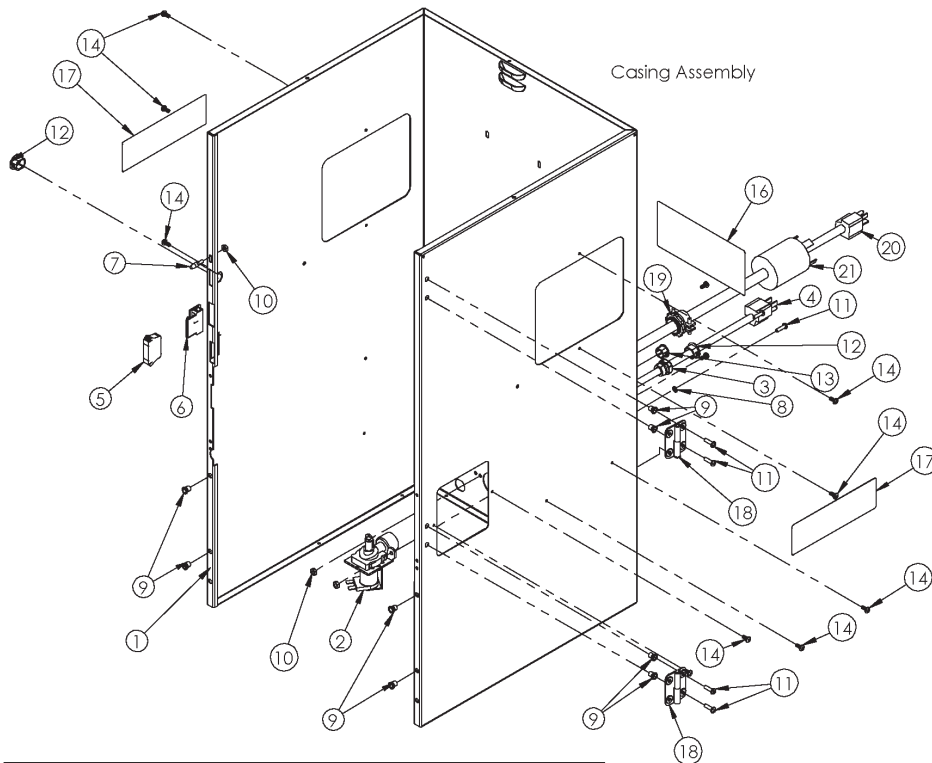
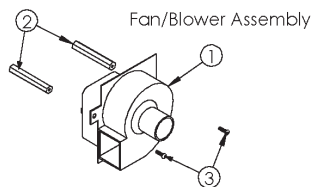


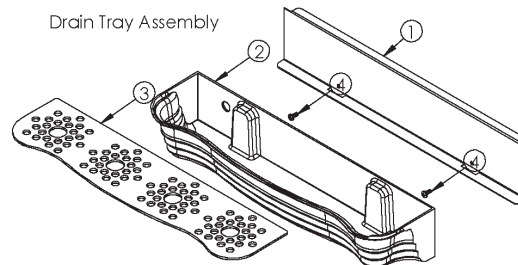
# PIC 4 Chassis Parts



ITEM NO.	PART NO.	DESCRIPTION
1	62543	Casing, PIC4
2	61104	Valve, 120 V Inlet 1.2 Gpm
3	61479	STRAIN RELIEF,HEYCO
4	61530	Cord,Power Supply 14-3 SJO
5	61235	Latch, Magnetic Snap-In
6	61234	Latch, Snap-In
7	61270	Enter Title
8	61186	Washer, #8 Int Lock
9	82096	RIVNUT, 8-32 AKS4-832-80
10	71129	NUT, 8-32 KEPS SS
11	61305	Screw, 8-32 x 5/8 black
12	61751	Plug, Hole, .75x.625 DD
13	71138	Plug, Hole, .625x.563 DD
14	61303	Screw, #8 x 3/8 black trilobe
15	61341	Decal, 1/4 Flr Wtr Connection
16	61319	Decal, Caution
17	61326	Decal, Caution Side PIC
18	61792	HINGE, PWDR COATED SS 2 LEAF
19	07920	Connector, 3/4 Conduit Metal Romex
20	60106	Cord,Power 12-3 SJO 5-20
21	60200	Cord,Power 12-4 SJO L14-20

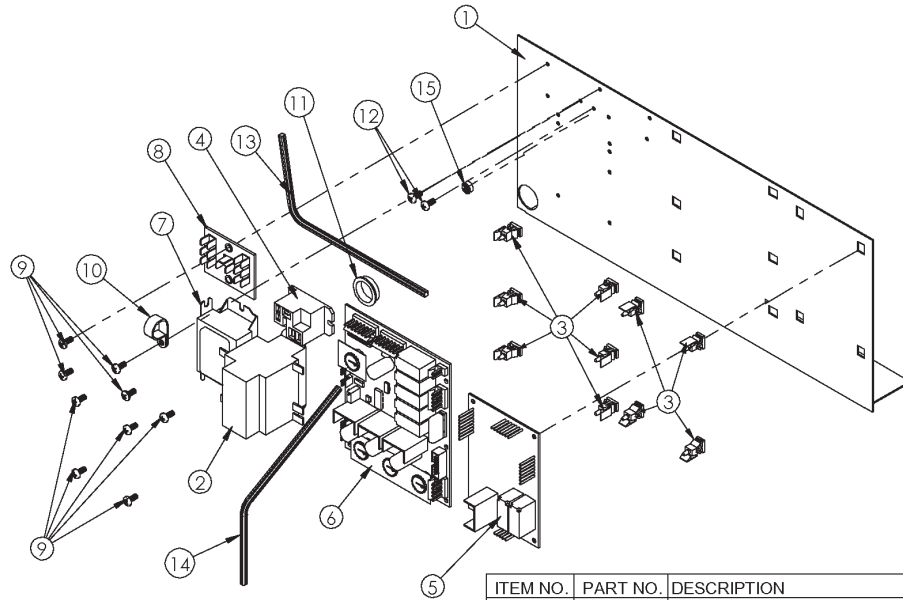


ITEM NO.	PART NO.	DESCRIPTION
1	61103	Fan, Blower 120V
2	60245	Spacer, Boiler
3	61304	Screw, 6-32 x 1/2 PPH,SS



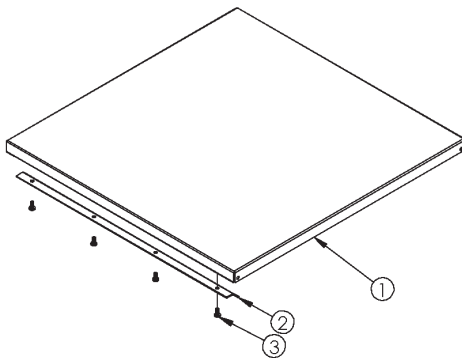
ITEM NO.	PART NO.	DESCRIPTION
1	62541	Panel, Lower Splash PIC4
2	62662	Tray, Drain PIC4 (ref 62546)
3	62545	Grid, Drain PIC4
4	61303	Screw, #8 x 3/8 black trilobe

# PIC 4 Control Bracket Assembly



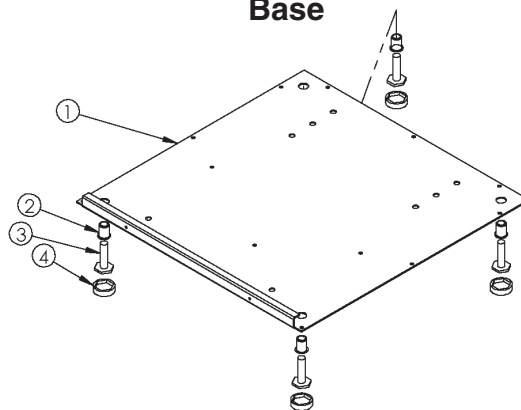
ITEM NO.	PART NO.	DESCRIPTION
1	62544	Bracket, Control Mtg PIC4
2	61481	Transformer,40VA 120 P 24/12 S
3	61266	STANDOFF, RVRS EDGEMOUNT
4	61131	Relay, 12 vdc Coil
5	61632	Controller,PIC1
6	61800	Controller,Pic 3 Portion
7	61196	Ballast
8	61338	Terminal Board
9	61303	Screw, #8 x 3/8 black trilobe
10	60080	Clamp,5/8"Nylon **SC**
11	60394	Bushing,Snap-7/8"OD x 3/4"
12	61272	SCRW, #8X3/8 PH PN T/B ZNC/GN
13	61890	Harness, Control PIC2/3
14	62637	Harness, PIC4 Right Head
15	10073	Label, Ground Symbol
16	70425	TERM, 1/4M INS QD 18-22 GA
17	70426	TERM, 1/4F INS QD 18-22 GA

**Lid**



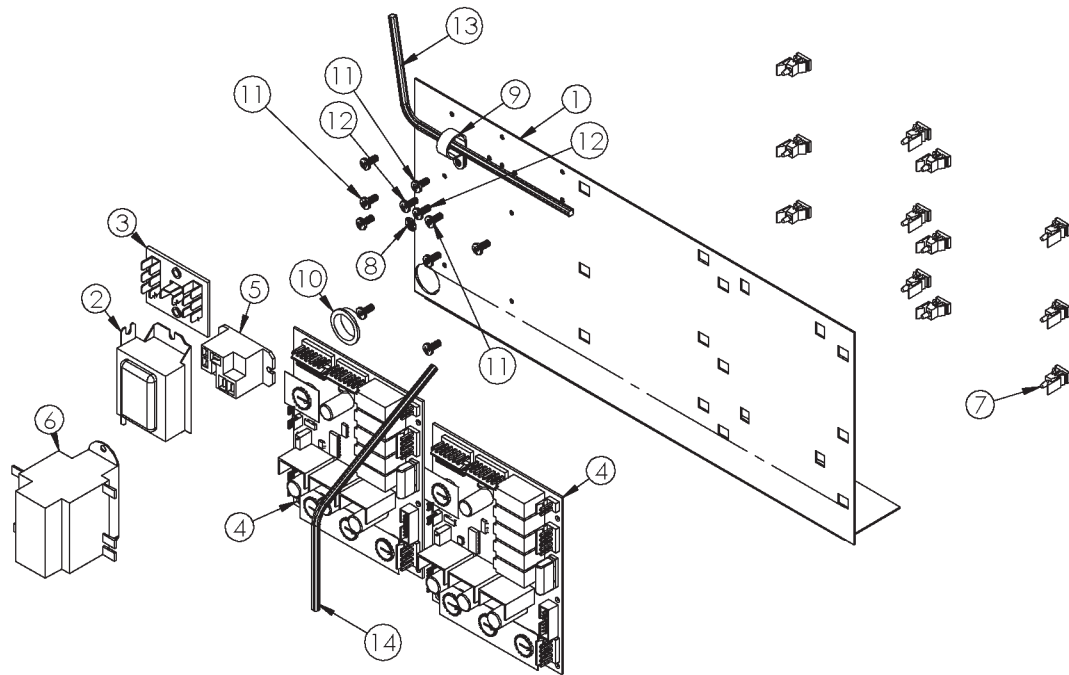
ITEM NO.	PART NO.	DESCRIPTION
1	62536	Panel, Lid PIC4
2	62704	Brace, Hopper Support PIC4
3	61303	Screw, #8 x 3/8 black trilobe

**Base**



ITEM NO.	PART NO.	DESCRIPTION
1	62537	Panel, Base PIC4
2	60380	Rivnut, 3/8 - 16
3	61343	Leveler,Leg 3/8"-16 x 1.500"
4	61344	Pad,Leg 7/8"-1582-SOC-G

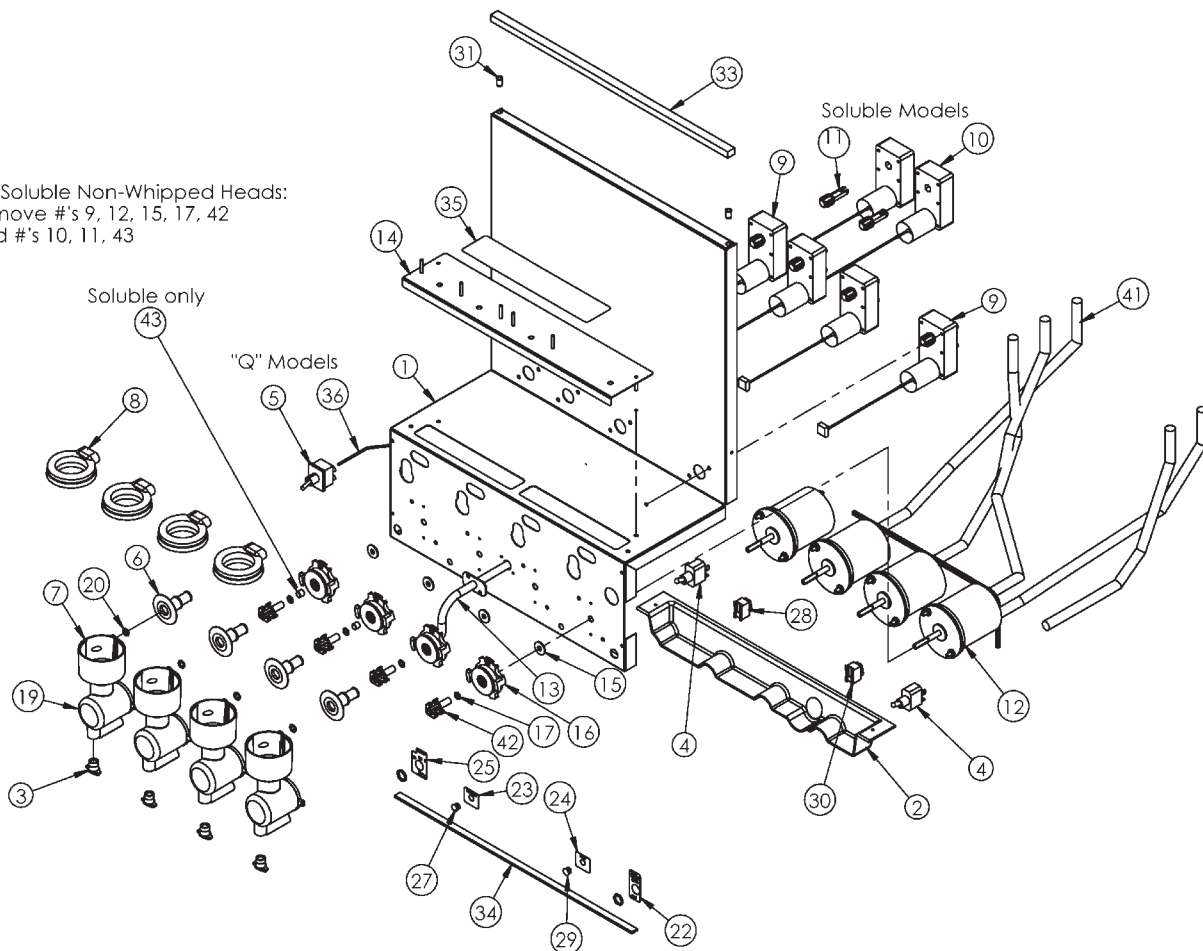
# PIC43A Control Bracket Assembly



ITEM NO.	QTY.	PART NO.	DESCRIPTION
1	1	62737	Bracket, Control Mtg PIC43
2	1	61196	Ballast
3	1	61338	Terminal Board
4	2	61800	Controller, Pic 3 Portion
5	1	61131	Relay, 12 vdc Coil
6	1	61481	Transformer, 40VA 120 P 24/12 S
7	12	61266	STANDOFF, RVRS EDGEMOUNT
8	1	10073	Label, Ground Symbol
9	1	60080	Clamp, 5/8" Nylon **SC**
10	1	60394	Bushing, Snap-7/8" OD x 3/4"
11	9	61303	Screw, #8 x 3/8 black trilobe
12	2	61272	SCRW, #8X3/8 PH PN T/B ZNC/GN
13	1	61890	Harness, Control PIC2/3
14	1	62738	Harness, PIC43 Right Head

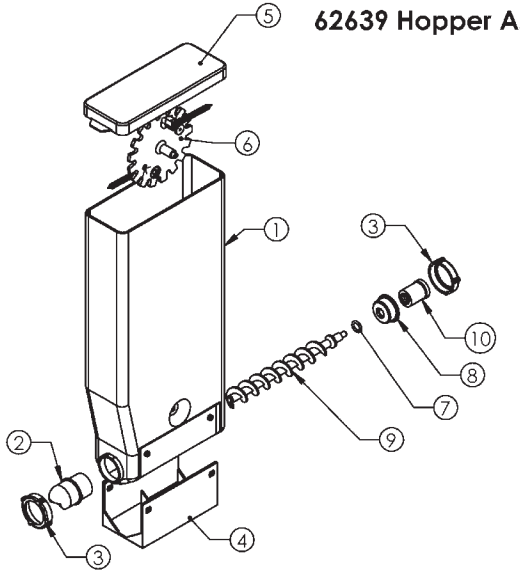
# PIC 4 Hopper Bracket

For Soluble Non-Whipped Heads:  
Remove #'s 9, 12, 15, 17, 42  
Add #'s 10, 11, 43



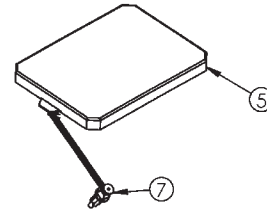
ITEM NO.	PART NO.	DESCRIPTION	ITEM NO.	PART NO.	DESCRIPTION
1	62533	Bracket, Hopper PIC4	23	61247	Label, Power On Light PIC
2	62754	Plenum, Steam PIC4	24	61248	Label, Ready Light PIC
3	61461	Button, Restrictor	25	61889	Label, PWR ON/OFF PIC
4	61847	Switch,Toggle-Spst	26	61303	Screw, #8 x 3/8 black trilobe
5	61466	Switch,Toggle 16 Amp Dpst	27	05096-1	Lens, Red for Indicator Light
6	61266	Fitting Funnel Disconnect	28	05096-2	Light, Indicator, 125v, Red
7	61221	Funnel, Whipper	29	62436-1	Lens, Green for Indicator Light
8	61255	SHROUD	30	62436-2	Lamp, Ind, 125v, GrnNeon, 3/16Tab
9	100090	Gearbox Assy,24VDC,145RPM	31	60381	Rivnut, 6-32 ALS4-632-80
10	65063	Gear Motor, 24VDC,30 RPM	32	61891	Harness, Hopper Brkt PIC2/3/4
11	100089	Shaft,Gearbox,PIC4/SP	33	61159-16-5	Seal, Closed Cell Foam 16.5"
12	61116-01-1	Motor, Whipper 120V	34	61352-16-5	Seal,Hopper Brkt - 16.5"
13	61809	Spout, Water LCD/PIC4	35	61848	Decal, Do Not Pour
14	62535	Plate, Cover Clean-Out Assy	36	61312	Wire, Jumper
15	61334	Washer, Slinger	37	71155-13-PIC4-R	Tubing, Silicone 5/16x1/2
16	61523	Whipper Base Assy	38	71155-16-PIC4-W	Tubing, Silicone PIC4 Water
17	60741	O-Ring,2-014	39	71155-16-PIC4-3	Tubing, Silicone 5/16x1/2
18	07023-04	Screw,6-32x1/4 PH BD M/S SS	40	71155-16-PIC4-2	Tubing, Silicone, 5/16x1/2
19	62395	Chamber, Whipper	41	71155-16-PIC4-L	Tubing, Silicone 5/16x1/2
20	61127	O-RING,.335 ID X .079 CS	42	61458	Blade, Whipper
21	61847-1	Nut, Switch, for 61847	43	63072	Plug,Whipper Base,Soluble
22	61242	Label, Flush On/Off			

# PIC 4 Hopper



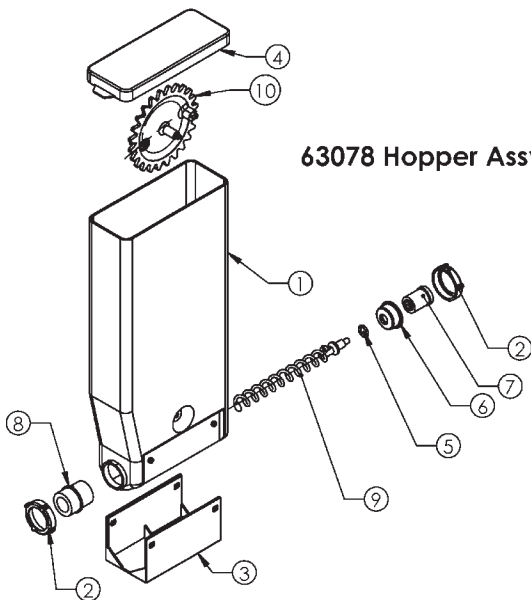
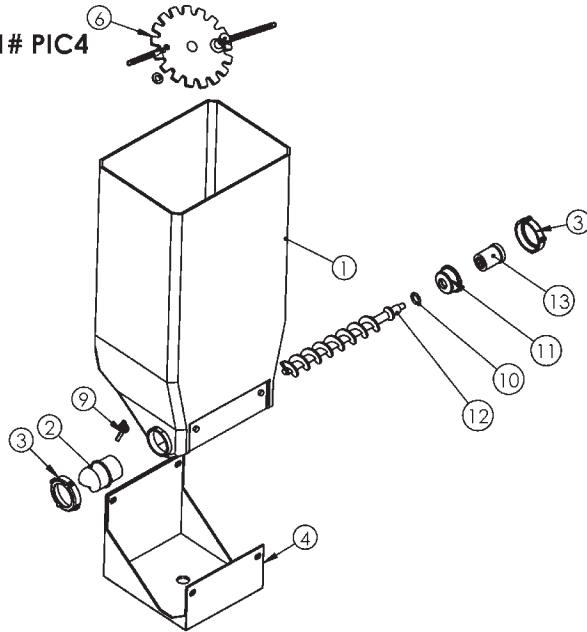
**62639 Hopper Assy 5.5# PIC4**

ITEM NO.	PART NO.	DESCRIPTION
1	100360	Hopper, 5.5# PIC4
2	100363	Sleeve,Hopr,Front,Flange PIC4/SP
3	100362	Nut,Hopr,Plast,PIC4/SP
4	100353	Base,Hopr,Metal Pin,PIC4/SP
5	100351	Lid,Hopr,PIC4/SP
6	100352	Pinwheel Assy,Hopr,Compo.Thin
7	100139	O-Ring,.375x.563
8	100364	Bearing,Hopper
9	100355	Auger,Plastic,Componenti
10	100354	Coupling,Hopper,Long,PIC4



**62640 Hopper Assy 11# PIC4**

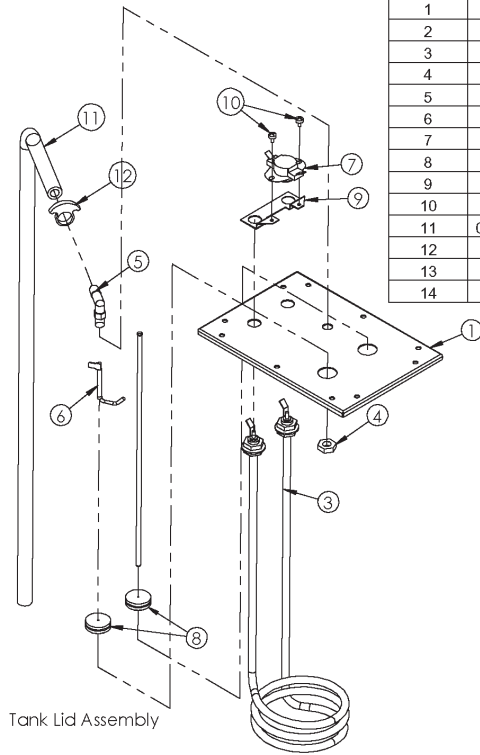
ITEM NO.	PART NO.	DESCRIPTION
1	100361	Hopper, 11#, PIC4
2	100363	Sleeve,Hopr,Front,Flange PIC4/SP
3	100362	Nut,Hopr,Plast,PIC4/SP
4	100359	Cradle,Hopper,Wide
5	100356	Lid, Wide Hopper,
6	100357	Pinwheel Assy, Large Hopper
7	100358	Gear, Pinwl, Assy, Hopr, Wide
8	100366-1	Flat Washer, Hopper
9	100365	Nut, 8-32, Wing, Zinc
10	100139	O-Ring, .375x.563
11	100364	Bearing, Hopper
12	100355	Auger, Plastic, Componenti
13	100354	Coupling, Hopper, Long, PIC4



**63078 Hopper Assy 5.5# PIC4 SOL**

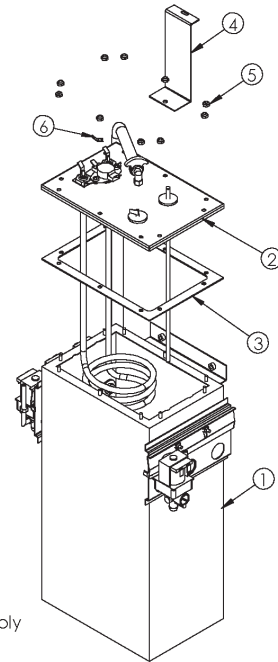
ITEM NO.	PART NO.	DESCRIPTION
1	100360	Hopper, 5.5# PIC4
2	100362	Nut,Hopr,Plast,PIC4/SP
3	100353	Base,Hopr,Metal Pin,PIC4/SP
4	100351	Lid,Hopr,PIC4/SP
5	100139	O-Ring,.375x.563
6	100364	Bearing,Hopper
7	100354	Coupling,Hopper,Long,PIC4
8	100564	Sleeve,Hopr,Front,Flange,17mm
9	100715	Auger,17mm Spring,SOL
10	100563	Pinwheel Assy,Hopr,17mm Spring

# PIC 4 Tank Assembly



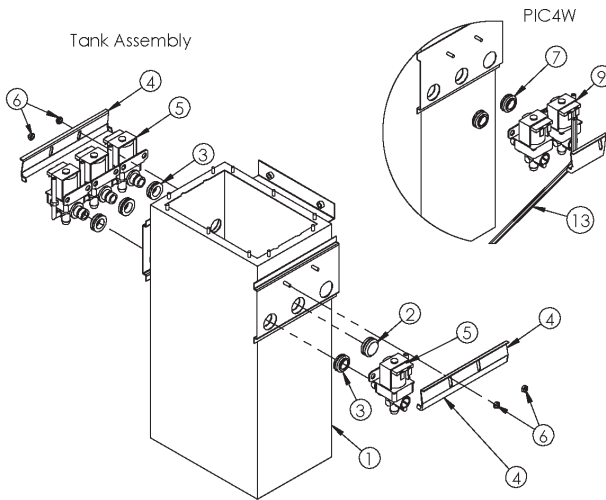
Tank Lid Assembly

ITEM NO.	PART NO.	DESCRIPTION
1	61842	Cover, PIC Welded Tank Lid
2	61128	Probe, Thermistor, 9"
3	61626	Element, 120V/1650W
4	61143	NUT, 1/8 NPT BRASS
5	61317	Elbow, Vent
6	61108	PROBE, PIC
7	62305	T-STAT, HI TEMP LIMIT
8	71147	GROMMET, SILICONE WHT
9	62238	Bracket, TStat PIC
10	61353	Screw, 8-32 X 1/4" PH PN 18-8 SS
11	05826,29.0	Tubing, 3/8IDx1/8WL, Silicone
12	07327	Clamp, Hose, 21/32ID, Heyco#2322
13	61280	Element, 120V/1400W
14	61107	Element, 240V/2500W



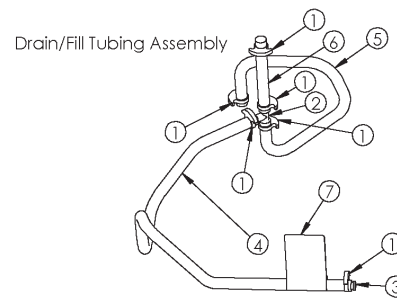
Tank Final Assembly

ITEM NO.	PART NO.	DESCRIPTION
1	62645	Tank Assy, PIC4W
2	62646	Tank Lid Assy 120V, 1650W
3	61844	Gasket, PIC3 Welded Tank
4	62634	Bracket, Tank Brace Top PIC4
5	71261	NUT, 8-32 ESNA SS
6	70635	TERMINAL, 1/4-032 X 45DEG TAB



Tank Assembly

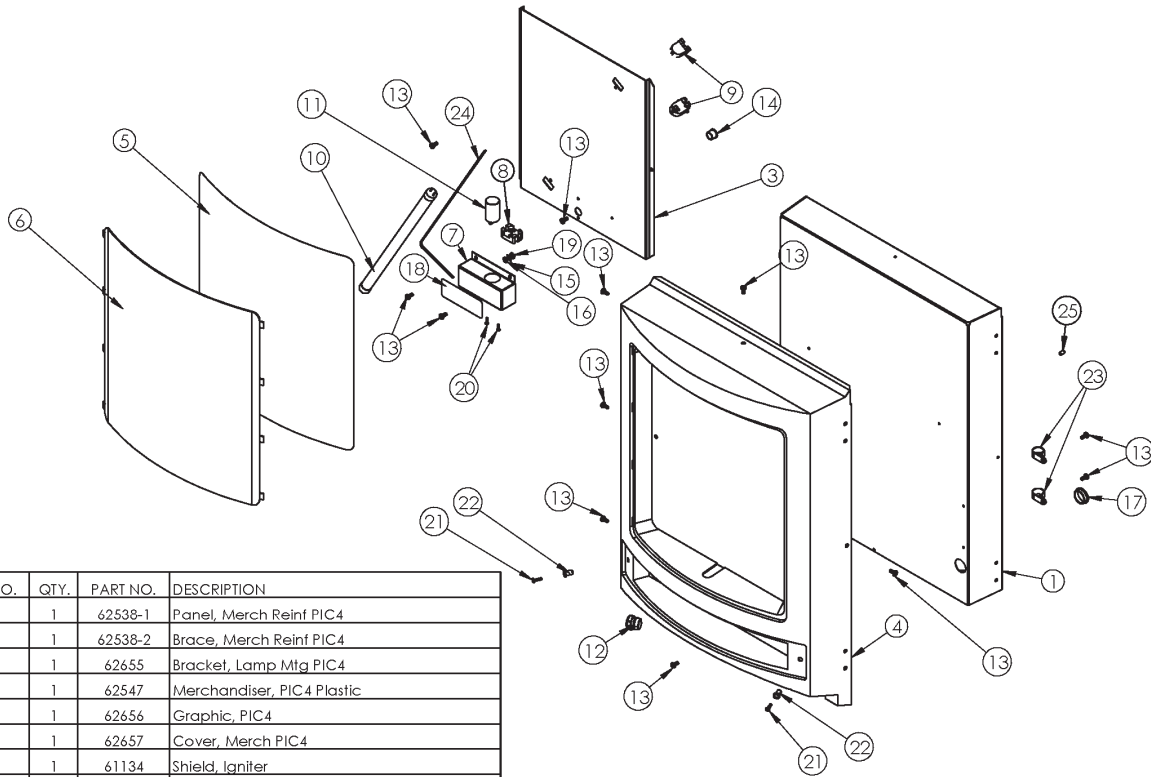
ITEM NO.	PART NO.	DESCRIPTION
1	62636	Tank, Water PIC4
2	61229	Grommet, Plug PIC units
3	61243	Grommet, Dump Valve
4	61137	Bracket, Dump Valve Brace
5	61102	Valve, Dump 120V
6	71261	NUT, 8-32 ESNA SS



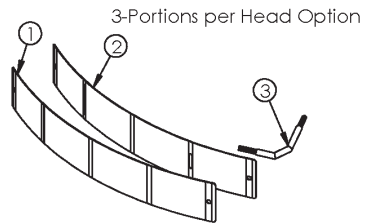
Drain/Fill Tubing Assembly

ITEM NO.	PART NO.	DESCRIPTION
1	07327	Clamp, Hose, 21/32ID, Heyco#2322
2	61152	TEE, 7/16X7/16X7/16 BARBED
3	61232	Plug, 3/8 Barb
4	05826,29.00	Tubing, 3/8IDx1/8WL, Silicone
5	05826,17.0	Tubing, 3/8IDx1/8WL, Silicone
6	05826,5.0	Tubing, 3/8IDx1/8WL, Silicone
7	61325	Decal, Tank Drain Hose

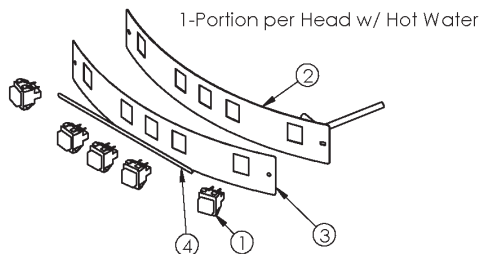
# PIC 4 Door Assembly



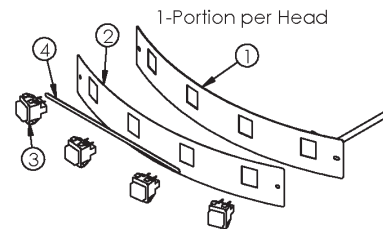
ITEM NO.	QTY.	PART NO.	DESCRIPTION
1	1	62538-1	Panel, Merch Reinf PIC4
2	1	62538-2	Brace, Merch Reinf PIC4
3	1	62655	Bracket, Lamp Mtg PIC4
4	1	62547	Merchandiser, PIC4 Plastic
5	1	62656	Graphic, PIC4
6	1	62657	Cover, Merch PIC4
7	1	61134	Shield, Igniter
8	1	62521	Base, Starter
9	2	61513	Holder, Mini Bi Pin
10	1	61118	Lamp, F8T5
11	1	61194	Starter, Bulb
12	1	61479	STRAIN RELIEF, HEYCO
13	12	61303	Screw, #8 x 3/8 black trilobe
14	1	07339-02	Bushing, Snap-1/2 Hey#SB-500-6
15	1	70635	TERMINAL, 1/4-032 X 45DEG TAB
16	1	61272	SCRW, #8X3/8 PH PN T/B ZNC/GN
17	1	60394	Bushing, Snap-7/8"OD x 3/4"
18	1	61327	Decal, Light Replace
19	1	61187	Washer, #8 Star Lock
20	2	62522	Screw, 4-36 x 3/8
21	2	61304	Screw, 6-32 x 1/2 PPH, SS
22	2	60122	Rivnut, 6-32
23	2	60080	Clamp, 5/8"Nylon **SC**
24	1	61136	Harness, Control PIC2/3
25	1	61440	CAP, #8 SCREW SOFT



ITEM NO.	QTY.	PART NO.	DESCRIPTION
1	1	62734	Touchpad PIC43
2	1	62782	Panel, Switch PIC43
3	1	62736	Harness, Door PIC43

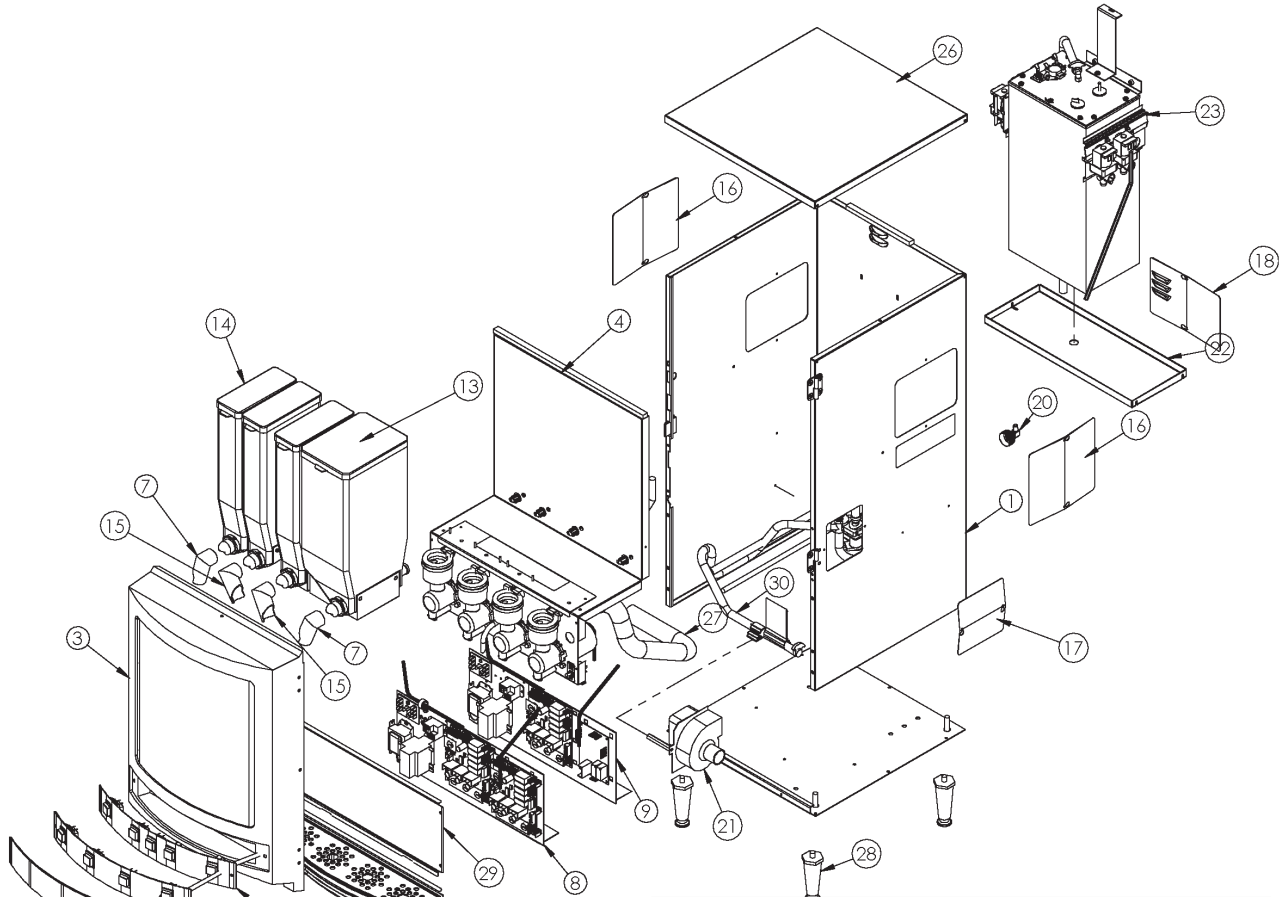


ITEM NO.	PART NO.	DESCRIPTION
1	61725	Switch, Dispensing
2	62660	Panel, Switch PIC4W
3	62661	Decal, Switch PIC4HW
4	61496	Decal, Auto Sw. panel Translation
5	62632	Harness, PIC4 Door



ITEM NO.	PART NO.	DESCRIPTION
1	62550	Panel, Switch PIC4
2	62551	Decal, Switch PIC4
3	61725	Switch, Dispensing
4	61496	Decal, Auto Sw. panel Translation
5	62632	Harness, PIC4 Door

# PIC 4 Final Assembly



ITEM NO.	PART NO.	DESCRIPTION	
1	62708	Casing Assy,PIC4	
2	62647	Base Assy PIC4	
3	62643	Door Merch Assy,PIC4	
4	62644	Hopper Brkt Assy PIC4	
5	62720	Hopper Brkt Assy PIC4	PIC4W
6	62787	Hopper Brkt Assy PIC4	PIC4 Q
7	100549	Elbow,Dispense,300deg	
8	62786	Control Brkt Assy PIC43	
9	62650	Control Brkt Assy PIC4	
10	62659	Dispense Panel Assy	PIC4W
11	62658	Dispense Panel Assy	PIC4
12	62790	Touchpad Assy PIC43A	
13	62640	Hopper,11# Componenti	
14	62639	Hopper, 5# Componenti	
15	100548	Elbow,Dispense,240deg	
16	61423	Panel, Side Access DV	
17	61438	Panel,Steam Plenum-Black *IH*	
18	61141	Plate,Back Access	
19	62654	Drain Tray/Lower Splash Assy	
20	61237	Fitting,Assy,1/4 fL X 3/4 Hs, Brs	
21	62649	Blower Assembly 120V	
22	62633	Bracket, Tank Retaining PIC4	
23	62702	Tank Final Assy	PIC4 1650W
24	62789	Tank Final Assy	PIC4 Q 25000W
25	62719	Tank Final Assy	PIC4W 1650W
26	62648	Lid Assy PIC4	
27	61123,24.0	TUBING, 1-1/4X24 LONG FLEX	
28	71256	Leg, 4" Plastic	
29	62534	Panel, Upper Splash PIC4	
30	62705	Tubing Assy,Drain,PIC2/3/4	
31	71160	Clip,Syphon Hose w/Blk Adhsv	
32	61159-7	Seal, Closed Cell Foam 7"	