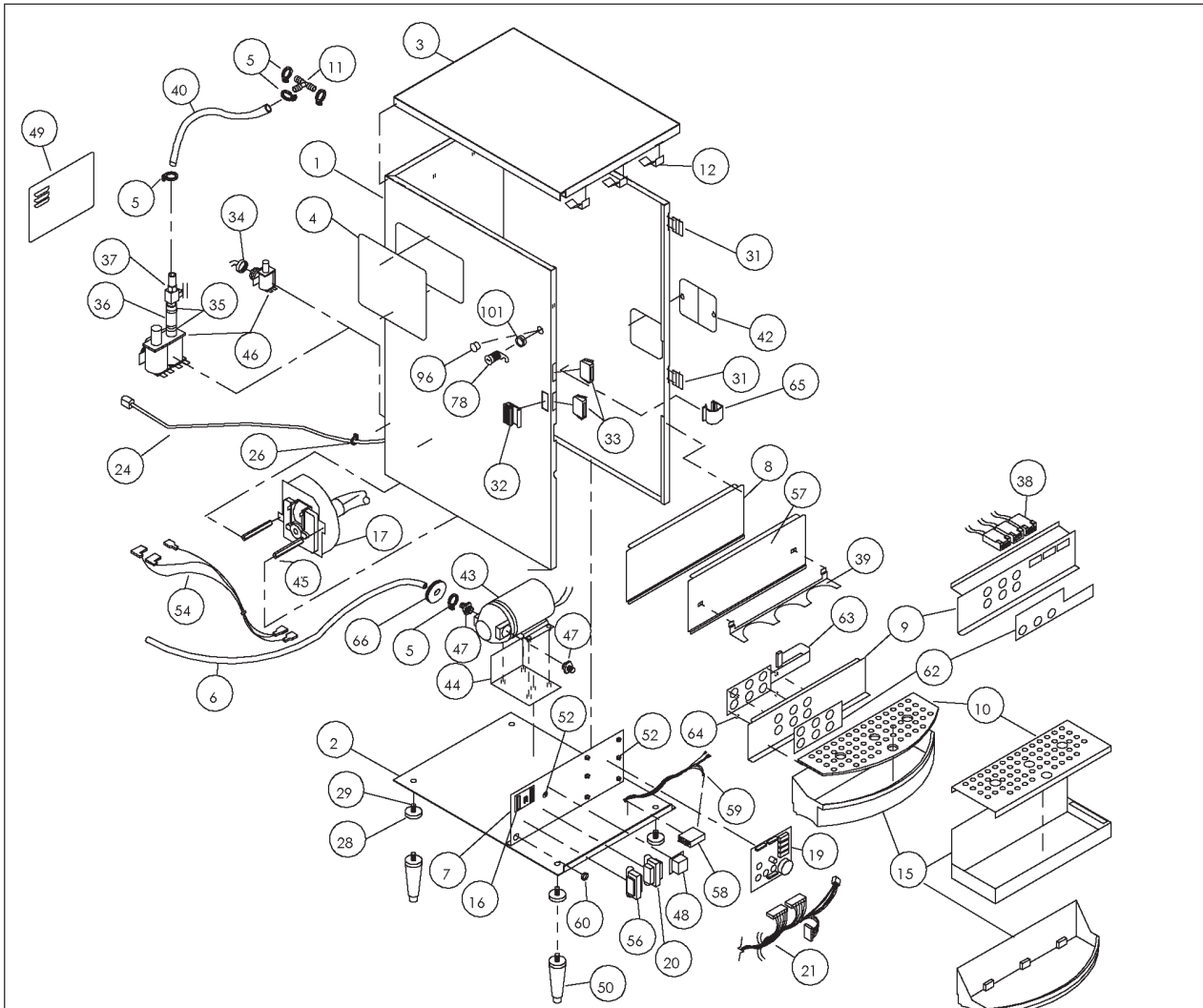
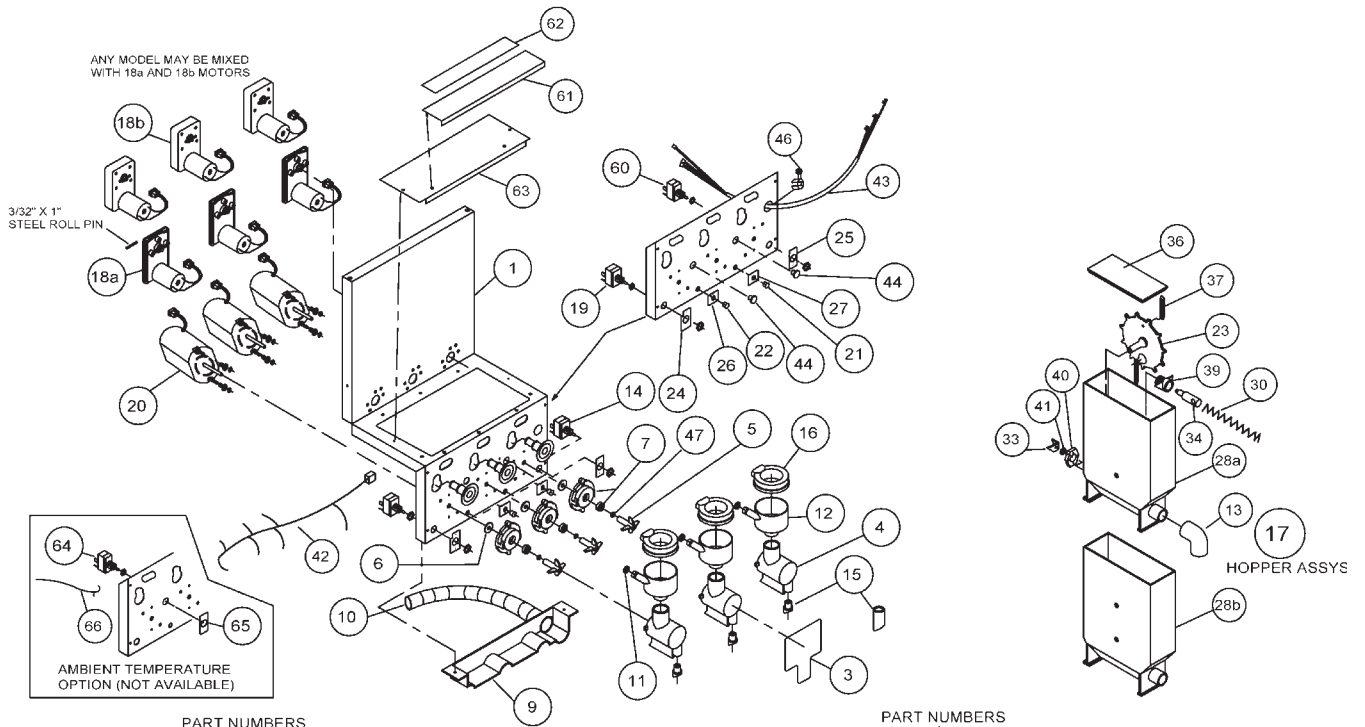


PIC 2/3 Chassis Parts



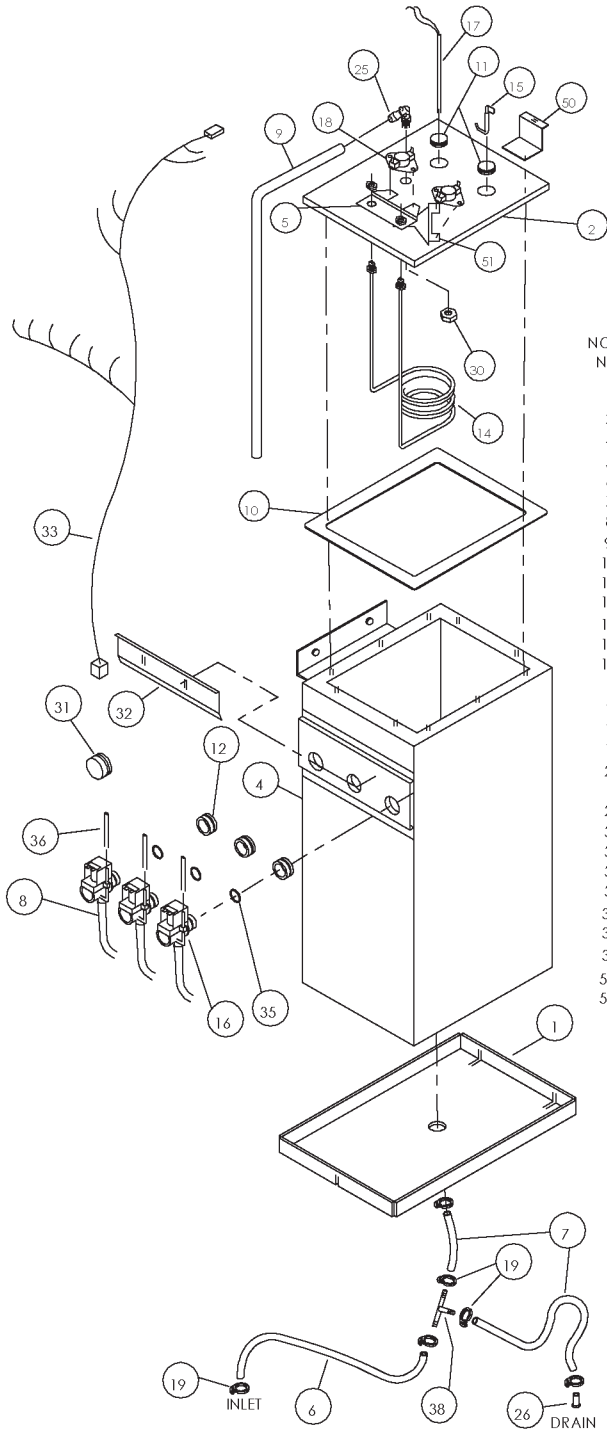
NOTE NO.	PART NUMBERS					DESCRIPTION	NOTE NO.	PART NUMBERS					DESCRIPTION
	100V "J"	120 VOLT	240V "Q"	200V "J"	230V "E"			100V "J"	120 VOLT	240V "Q"	200V "J"	230V "E"	
1	62513	62513	62513	62513	62513	CASING, BLACK POWDER COATED	34	61237	61237	61237	61237	61237	FITTING, HOSE TO 1/4 FLARE
2	61378	61378	61378	61378	61378	CASING, STAINLESS STEEL	35	60550	60550	60550	60550	60550	CLAMP, 11/16 STEPLESS EAR
	61201	61201	61201	61201	61201	BOITOM, POWDER COATED	36	61153	61153	61153	61153	61153	TUBING, INNERBRAIDED PVC
	61377	61377	61377	61377	61377	BOITOM, STAINLESS STEEL	37	61150	61150	61150	61150	61150	VALVE, AMBIENT FLOW CONTROL
3	61207	61207	61207	61207	61207	COVER, POWDER COATED	38	61540	61540	61540	61754	61754	COUNTER, TOTALIZER
	61379	61379	61379	61379	61379	COVER, STAINLESS STEEL	39	61366	61366	61366	61366	61366	BRACKET, CUP LOCATOR
4	61423	61423	61423	61423	61423	PLATE, POWDER COATED SIDE	40	71155	71155	71155	71155	71155	TUBING, 5/16 ID SILICONE
	61376	61376	61376	61376	61376	PLATE, SS SIDE ACCESS	41	61152	61152	61152	61152	61152	TEE, 3/8 X 3/8 X 3/8 BARBED
5	07327	07327	07327	07327	07327	CLAMP, 5/8 ID HOSE	42	61438	61438	61438	61438	61438	PANEL, STEAM PLENUM ACCESS
6	05826	05826	05826	05826	05826	TUBING, 3/8 ID SILICONE	43	61290	61290	61290	61543	61543	PANEL, S.S. STEAM PLENUM ACCESS
7	61473	61473	61473	61473	61473	BRACKET, CONTROL MOUNTING	44	61254	61254	61254	61254	61254	PUMP(OPTION "P")
8	61212	61212	61212	61212	61212	PANEL, UPPER SPLASH	45	60245	60245	60245	60245	60245	PANEL, S.S. STEAM PLENUM ACCESS
	61399	61399	61399	61399	61399	PANEL, UPPER SPLASH #3 S.S.	46	61104	61104	61104	61105	61105	SPACER, BOILER
9	61213	61213	61213	61213	61213	PANEL, LOWER SPLASH	47	71650	61104	61104	61105	61105	VALVE, INLET 1.2 GPM
	61486	N/A	N/A	61486	61486	PANEL, LOWER SPLASH REMOTE	48	61149	61149	61149	N/A	N/A	REPAIR KIT, INLET VALVE
	61528	N/A	N/A	61528	61528	PANEL, LOWER SPL. REMOTE/COUNTERS	49	61121	61121	61121	61121	61121	VALVE, 120 VOLT DUAL OUTLET INLET
	N/A	61769	61769	N/A	N/A	PANEL, LOWER SPLASH COUNTERS	50	61131	61131	61131	61131	61131	FITTING, 3/8NPT X 3/8BARB (OPTION"P")
10	61892	61892	61892	61892	61892	GRID, ROUNDED PLASTIC	51	61375	61375	61375	61375	61375	RELAY, HEATER
	61366	61366	61366	61366	61366	GRID, ROUNDED BRUSHED SS DRAIN	52	61266	61266	61266	61266	61266	PLATE, POWDER COATED BACK ACCESS
	61382	61382	61382	61382	61382	GRID, NON-ROUNDED STAINLESS	53	N/A	N/A	N/A	N/A	N/A	SS BACK ACCESS
11	61152	61152	61152	61152	61152	TEE, 3/8 X 3/8 X 3/8 BARBED	54	N/A	N/A	N/A	N/A	N/A	LEG, 4" 3/8-16 PLASTIC
12	61217	61217	61217	61217	61217	SPRING, HOPPER RETAINING	55	61166	61196	61196	61468	61468	LEG, 4" 3/8-16 DIE CAST METAL
15	61198	N/A	N/A	61198	61198	TRAY, BLACK ROUNDED PLASTIC DRAIN	56	61367	61367	61367	61367	61367	STANDOFF, REVERSE EDGEMOUNT
	N/A	62444	62444	N/A	N/A	TRAY, RECTANGLE STAINLESS	57	N/A	N/A	N/A	N/A	N/A	SPACER, BOILER
	N/A	62336	62336	N/A	N/A	TRAY, LOWERED DRAIN I-MOLDED	58	N/A	N/A	N/A	N/A	N/A	VALVE, INLET 1.2 GPM
16	61338	61338	61338	61338	61338	BOARD, TERMINAL	59	61073	10073	10073	10073	10073	REPAIR KIT, INLET VALVE
17	61103	61103	61103	61111	61111	BLOWER	60	60394	60394	60394	60394	60394	VALVE, 120 VOLT DUAL OUTLET INLET
19	61800	61800	61800	61800	61800	CONTROLLER, STANDARD	61	10073	10073	10073	10073	10073	FITTING, 3/8NPT X 3/8BARB (OPTION"P")
	62300	62300	62300	62300	62300	CONTROLLER, AUTO/1-BUTTON ONLY	62	61508	N/A	N/A	61508	61508	RELAY, HEATER
20	61482	61481	61481	61482	61470	TRANSFORMER	63	61539	N/A	N/A	61539	61539	PLATE, POWDER COATED BACK ACCESS
21	61890	61890	61890	61890	61472	HARNES, CHASSIS/CONTROL BOARD	64	61519	N/A	N/A	61519	61519	SS BACK ACCESS
24	61530	61530	60200	61453	61453	ELECTRICAL CORD	65	71160	71160	71160	71160	71160	LEG, 4" 3/8-16 PLASTIC
26	61479	61479	N/A	86071	86071	STRAIN RELIEF	66	N/A	N/A	N/A	N/A	N/A	LEG, 4" 3/8-16 DIE CAST METAL
	N/A	N/A	07920	N/A	N/A	STRAIN RELIEF, METAL ROMEX	67	61539	N/A	N/A	61539	61539	STANDOFF, REVERSE EDGEMOUNT
28	61344	61344	61344	61344	61344	PAD, LEVELER FOOT	68	61519	N/A	N/A	61519	61519	SPACER, BOILER
29	61343	61343	61343	61343	61343	BOLT, LEVELER FOOT	69	61519	N/A	N/A	61519	61519	VALVE, INLET 1.2 GPM
30	60394	60394	60394	60394	60394	BUSHINGS, 7/8 OD X 3/4 ID	70	61519	N/A	N/A	61519	61519	REPAIR KIT, INLET VALVE
31	61792	61792	61792	61792	61792	HINGE, BLACK STAINLESS 2-LEAF	71	61154	61154	61154	61154	61154	FITTING, 3/8NPT X 3/8BARB (OPTION"P")
	61393	61393	61393	61393	61393	HINGE, STAINLESS STEEL	72	61751	61751	61751	61751	61751	RELAY, HEATER
	61234	61234	61234	61234	61234	LATCH, MERCHANDISER	73	62219	62219	62219	62219	62219	PLATE, POWDER COATED BACK ACCESS
32	61235	61235	61235	61235	61235	CATCH, MAGNETIC SNAP-IN	74						SS BACK ACCESS
33	61235	61235	61235	61235	61235		75						LEG, 4" 3/8-16 PLASTIC

PIC 2/3 Hopper Bracket



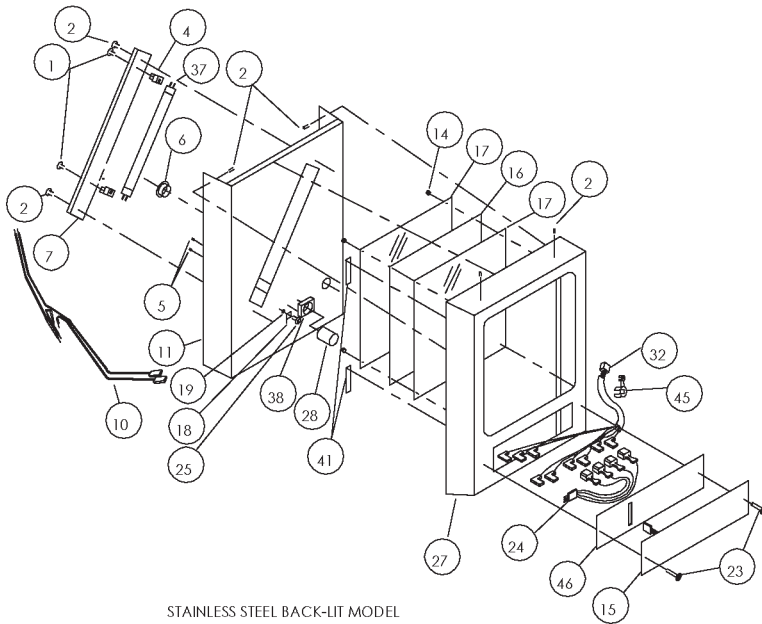
PART NUMBERS						DESCRIPTION	PART NUMBERS					DESCRIPTION		
NOTE NO.	100V "J"	120 VOLT "J"	240V "Q"	200V "J"	230V "E"		NOTE NO.	100V "J"	120 VOLT "J"	240V "Q"	200V "J"		230V "E"	
	1	65209	65209	65209	65209	65209	BRACKET, HPR MTG CP3-PIC2/3	26	61247	61247	61247	61247	61247	DECAL, POWER ON
	3	61244	61244	61244	61244	61244	PLATE, DISPENSE HEAD TRIM	27	61248	61248	61248	61248	61248	DECAL, READY
	4	62395	62395	62395	62395	62395	CHAMBER, WHIPPER	28a	61222	61222	61222	61222	61222	HOPPER, 5lb.
	5	61458	61458	61458	61458	61458	BLADE, WHIPPER FOUR	28b	61489	61489	61489	61489	61489	HOPPER, 5lb. DUAL PINWHEEL
	6	61334	61334	61334	61334	61334	WASHER, SLINGER	30	61224	61224	61224	61224	61224	AUGER, STD 0.531 PITCH
	7	61523	61523	61523	61523	61523	ASSY, WHIPPER BASE/SEAL/BRNG.		61302	61302	61302	61302	61302	AUGER, 0.718 PITCH
	9	61197	61197	61197	61197	61197	PLENUM, STEAM RECOVERY	33	61225	61225	61225	61225	61225	LINK, AUGER DRIVE
	10	61123	61123	61123	61123	61123	TUBING, 1 1/4" ID FLEXIBLE	34	61230	61230	61230	61230	61230	DRIVESHAFT, AUGER SPRING
	11	61127	61127	61127	61127	61127	O-RING, 3/8 ID x 1/2 OD	36	61315	61315	61315	61315	61315	COVER, 5lb. HOPPER
	12	61221	61221	61221	61221	61221	FUNNEL	37	61313	61313	61313	61313	61313	SPRING, PINWHEEL AGITATOR
	13	61223	61223	61223	61223	61223	ELBOW, HOPPER	39	61246	61246	61246	61246	61246	BEARING, DRIVESHAFT
	14	61226	61226	61226	61226	61226	FITTING, FUNNEL QUICK CONNECT	40	61314	61314	61314	61314	61314	PALNUT, 5/8-11 UNC.
	15	61461	61461	61461	61461	61461	BUTTON, RESTRICTOR ANGLED	41	07301-04		07301-04		07301-04	WASHER, FLAT #10 SAE S.S.
		62494	62494	62494	62494	62494	SPOUT, PSD LONGER	42	61891	61891	61891	61891	61471	HARNES, DC HOPPER BRACKET
	16	61255	61255	61255	61255	61255	SHROUD, STEAM RECOVERY	43	61474	61474	61474	61474	61474	HARNES, DOOR INTERCONNECT
	17	61372	61372	61372	61372	61372	HOPPER, ASY. 531 AUG 1-PW		61820	61820	61820	61820	61820	HARNES, DOOR INTERCONNECT
		61442	61442	61442	61442	61442	HOPPER, ASY. 718 AUG 1-PW	44	88737	88737	88737	88737	88737	PLUG, HOLE 7/16"
		61837	61837	61837	61837	61837	HOPPER, ASY. 531 DUAL PW	46	61480	61480	61480	61480	61480	STRAIN RELIEF, 7/8 HOLE
		61490	61490	61490	61490	61490	HOPPER, ASY. 718 DUAL PW	47	60741	60741	60741	60741	60741	O-RING, 0.239 ID X 0.070 CS
18a		61618	61618	61618	61618	61618	MOTOR, AUGER 145RPM CAP	59	05826	05826	05826	05826	05826	TUBING, 3/8" ID SILICONE
18b		65057	65057	65057	65057	65057	MOTOR, AUGER 30RPM SOLUBLE	60	61847	61847	61847	61847	61847	SWITCH, SPST RINSE
	19	61847	61847	61466	61466	61466	SWITCH, TOGGLE	61	61839	61839	61839	61839	61839	PLATE, CLEAN-OUT COVER
	20		61116-01		61117	61117	MOTOR, WHIPPER	62	61848	61848	61848	61848	61848	DECAL, "DO NOT POUR"
	21	61168	62436	62436	61125	61125	LAMP, GREEN	63	65208	65208	65208	65208	65208	COVER, HOPPER SHELF
	22	61167	05096	05096	70271	70271	LAMP, RED	64	61467	61467	61467	61467	61467	SWITCH SPDT TOGGLE (AMBIENT)
	23	61316	61316	61316	61316	61316	AGITATOR, 5lb. PINWHEEL	65	61156	61156	61156	61156	61156	LABEL, HOT/COLD
	24	61889	61889	61889	61889	61889	DECAL, POWER ON/OFF	66	61158	61158	61158	61158	61158	HARNES, AMBIENT TEMP
	25	61242	61242	61242	61242	61242	DECAL, RINSE ON/OFF							

PIC 2/3 Tank Assembly

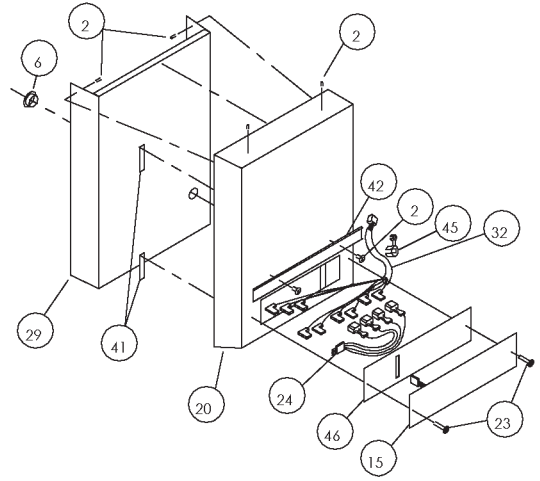


NOTE NO.	PART NUMBERS					DESCRIPTION
	100V "J"	120 VOLT	240V "Q"	200V "J"	230V "E"	
1	61845	61845	61845	61845	61845	BRACKET, TANK RETAINING
2	61842	61842	61842	61842	61842	COVER, TANK
4	61841	61841	61841	61841	61841	TANK, 3.5 GALLON WELDED
5	62238	62238	62238	62238	62238	BRACKET, HI-TEMP THERMOSTAT
6	05826	05826	05826	05826	05826	TUBING, INLET VALVE
7	05826	05826	05826	05826	05826	TUBING, TANK DRAIN
8	71155	71155	71155	71155	71155	TUBING, DUMP VALVE (PIC)
9	05826	05826	05826	05826	05826	TUBING, VENT
10	61844	61844	61844	61844	61844	GASKET, 3.5 GALLON TANK
11	71147	71147	71147	71147	71147	GROMMET, PROBE
12	61243	61243	61243	61243	61243	GROMMET, DUMP VALVE
14	61626	61626	61107	61107	61107	ELEMENT, HEATING
15	61108	61108	61108	61108	61108	PROBE, WATER LEVEL
16	61165	61102	61102	61109	61109	VALVE, DUMP
	71610	71610	71610	71610	71610	REBUILD KIT, DUMP VALVE
17	61128	61128	61128	61128	61128	PROBE, THERMISTOR
18	62305	62305	62305	62305	62305	THERMOSTAT, HI-LIMIT
19	07327	07327	07327	07327	07327	CLAMP, 5/8 ID HOSE
25	61317	61317	61317	61317	61317	ELBOW, KYNAR 1/8NPTx3/8BARB
	61417	61417	61417	61417	61417	ELBOW, BRASS 1/8NPTx3/8BARB
26	61232	61232	61232	61232	61232	PLUG, 3/8 BARB
30	61143	61143	61143	61143	61143	NUT, 1/8 NPT BRASS JAM
31	61229	61229	61229	61229	61229	GROMMET, PLUG
32	61137	61137	61137	61137	61137	CLIP, VALVE RETAINING
33	61890	61890	61890	61890	61268	HARNES, TANK PIC, PSD
35	61365	61365	61365	61365	61365	O-RING, DUMP VALVE
36	05872	05872	05872	05872	05872	TUBING, 1/4" SILICONE
38	61152	61152	61152	61152	61152	TEE, 7/16" BARBED
50	62306	62306	62306	62306	62306	BRACKET, TANK PIC2/3
51					62239	BRACKET, HI-TEMP T-STAT CE

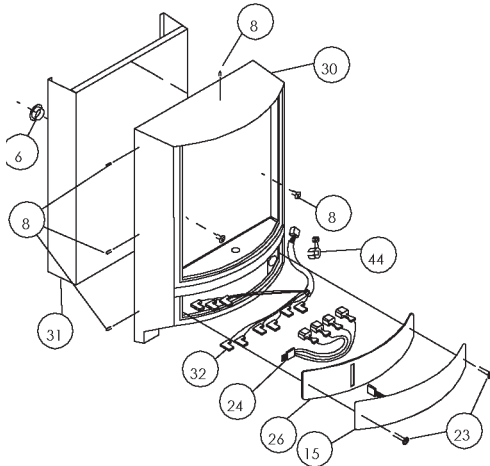
PIC 2/3 Door Assembly



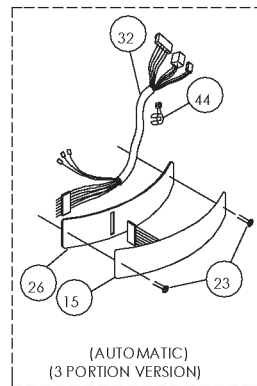
STAINLESS STEEL BACK-LIT MODEL



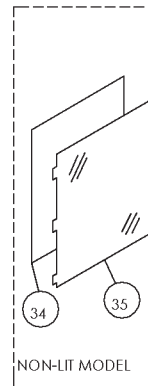
STAINLESS STEEL NON-LIT MODEL



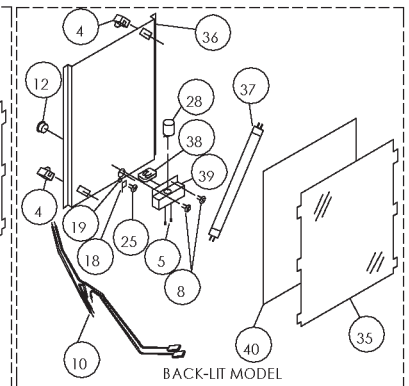
BLACK ROUNDED MERCHANDISER MODELS



(AUTOMATIC)
3 PORTION VERSION



NON-LIT MODEL



BACK-LIT MODEL

PART NUMBERS				DESCRIPTION	PART NUMBERS					
NOTE NO.	100V "J" VOLT	200V "Q" VOLT	240V "Q"		230V "E"	NOTE NO.	100V "J" VOLT	200V "Q" VOLT	240V "Q"	230V "E"
1	07023-04	07023-04	07023-04	SCREW, 6-32 X 1/4	26	61824	61824	61824	61824	PANEL, SWITCH TOUCH PAD CURVED
2	07026-07	07026-07	07026-07	SCREW, 8-32 X 3/8	27	61397	61397	61397	61397	SKIN, BACK LIT SS MERCHANDISER STARTER
4	61513	61513	61513	HOLDER, MINI BL-PIN	28	61194	61194	61194	61194	COVER, SS MERCHANDISER BACK DOOR, PLASTIC MERCHANDISER BRACKET, MERCH. REINFORCING
5	62522	62522	62522	SCREW, 4-40 X 3/8	29	61385	61385	61385	61385	DOOR, PLASTIC MERCHANDISER BRACKET, MERCH. REINFORCING
6	60394	60394	60394	BUSHING, 7/8" OD X 3/4" ID	30	61199	61199	61199	61199	HARNES, MERCHANDISER TO CHASSIS
7	61358	61358	61358	BRACKET, LAMP HOLDER	31	62514	62514	62514	62514	HARNES, DOOR INT. 3-PORTION
8	61303	61303	61303	SCREW, #8 X 3/8 BLACK SS	32	61474	61474	61474	61474	GRAPHIC, NON-LIT CAPPUCCINO
10	61136	61136	61136	HARNES, LAMP	33	61820	61820	61820	61820	GRAPHIC, BACK-LIT COFFEE
11	61356	61356	61356	COVER, SS MERCHANDISER BACK	34	61783	61783	61783	61783	PLATE, STRIKER
12	61266	61266	61266	BUSHING	35	61219	61219	61219	61219	CHANNEL, FLAVOR STRIP (OPTIONAL)
14	86086	86086	86086	NUT, 8-32 NYLON	36	61120	61120	61120	61120	STRAIN RELIEF, 3/4 HOLE
15	62301	62301	62301	TOUCHPAD, PIC2 MANUAL	37	61118	61118	61118	61118	STRAIN RELIEF, 7/8 HOLE
	61840	61840	61840	TOUCHPAD, PIC3 MANUAL	38	62521	62521	62521	62521	PANEL, SWITCH TOUCH PAD FLAT
	62302	62302	62302	TOUCHPAD, PIC2 3 PORTION W/O HOT WATER	39	61134	61134	61134	61134	
	61826	61826	61826	TOUCHPAD, PIC3 3 PORTION W/O HOT WATER	40	61776	61776	61776	61776	
16	61784	61784	61784	GRAPHIC, SS BACKLIT CAPPUCCINO	41	61806	61806	61806	61806	
17	61359	61359	61359	MEDALLION, SS MERCHANDISER FRONT	42	61424	61424	61424	61424	
18	70635	70635	70635	TERMINAL LUG	44	61425	61425	61425	61425	
19	61186	61186	61186	WASHER, #8 INTERNAL STAR	45	61479	61479	61479	61479	
20	61384	61384	61384	SKIN, SS NON-BACKLIT MERCHANDISER	46	61480	61480	61480	61480	
23	61305	61305	61305	SCREW, 8-32 X 5/8 BLACK		62012	62012	62012	62012	
24	62303	62303	62303	HARNES, FIG TAIL T-PAD MANUAL						
25	61272	61272	61272	SCREW, #8 X 3/8 GREEN						