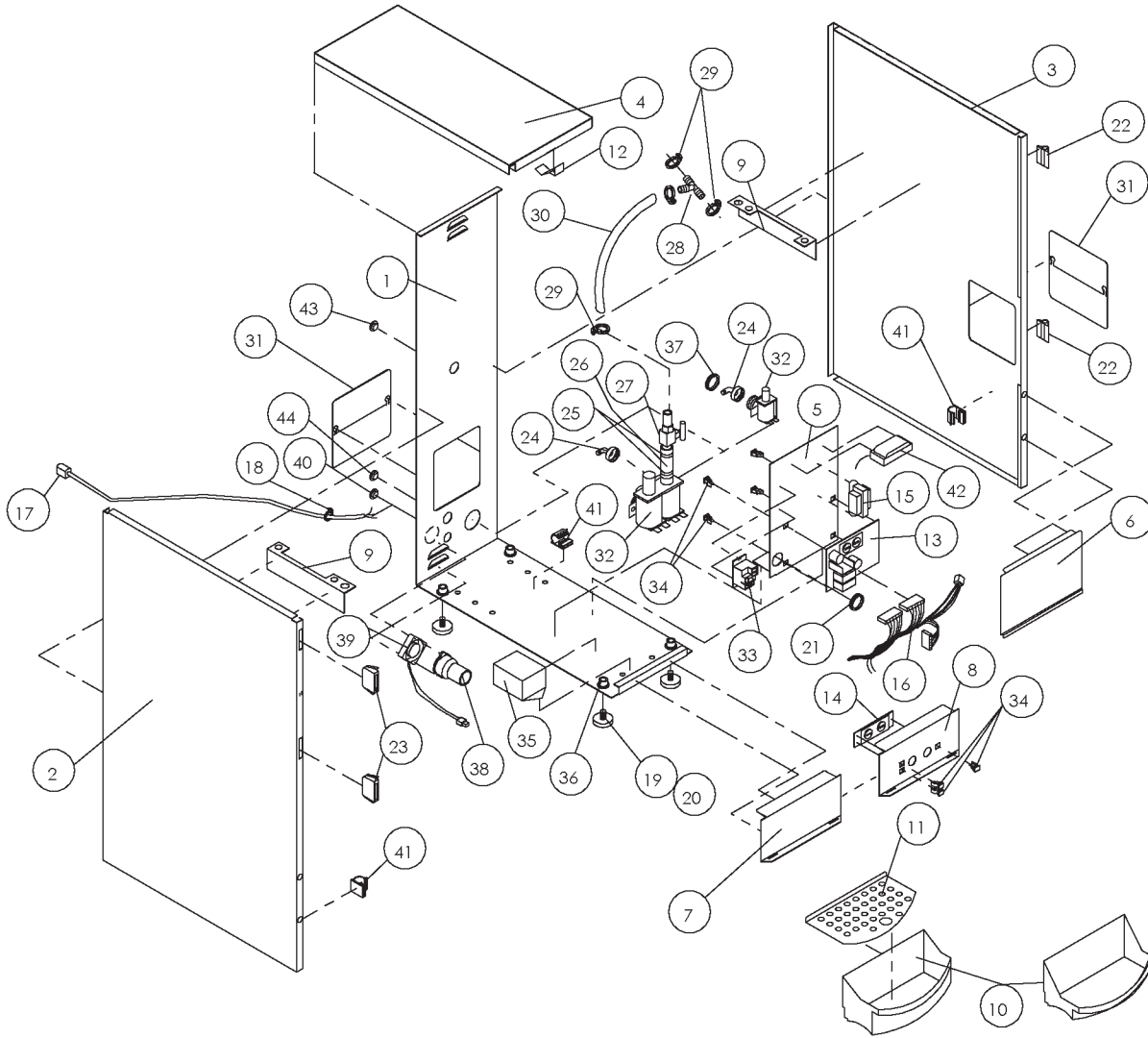


PIC 1 Chassis Parts

(units with serial numbers beginning with "L")

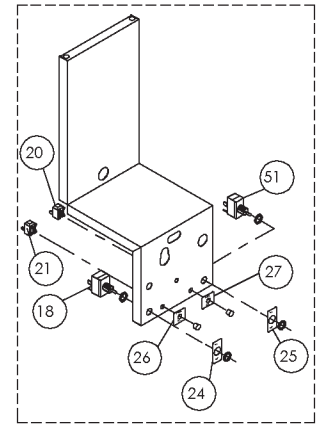
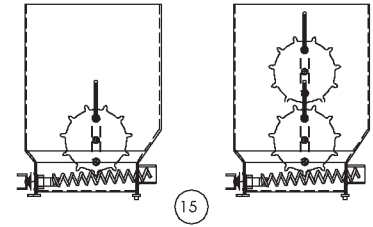
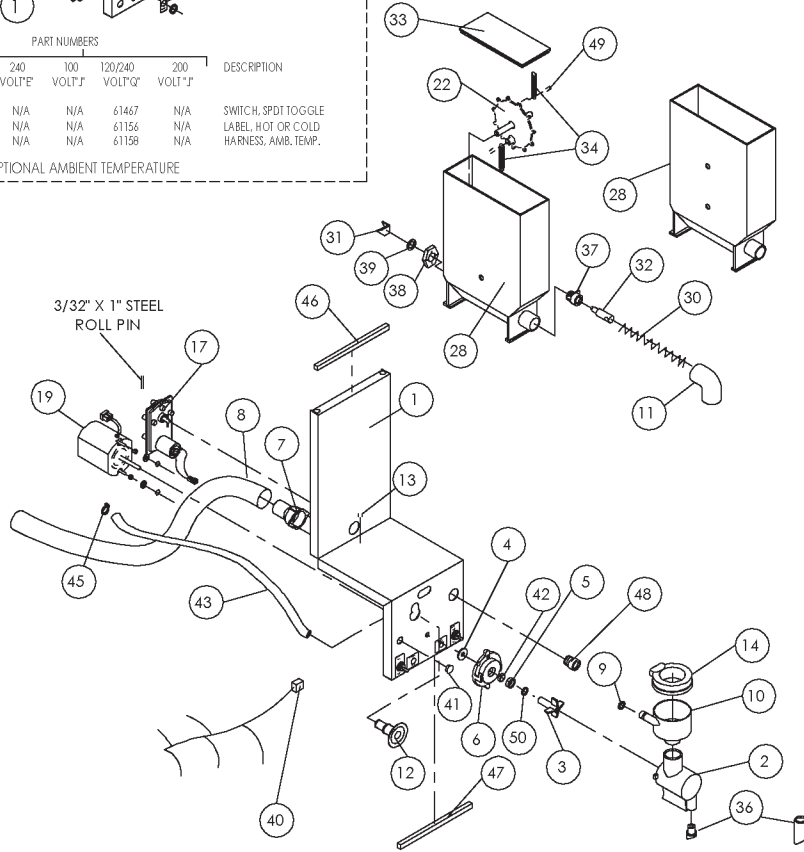
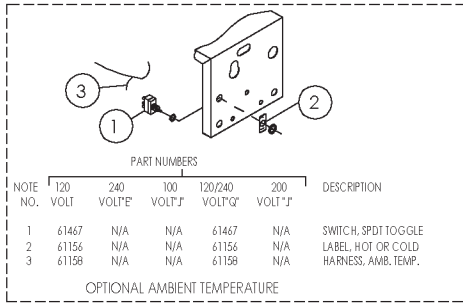


NOTE NO.	PART NUMBERS					DESCRIPTION	NOTE NO.	PART NUMBERS					DESCRIPTION	
	120 VOLT	230V "E"	100V "J"	240V "Q"	200V "J"			120 VOLT	230V "E"	100V "J"	240V "Q"	200V "J"		
1	61601	61601	61601	61601	61601	BOTTOM/BACK, POWDER COATED	21	60394	60394	60394	60394	BUSHING, 7/8 O.D. x 3/4 I.D.		
2	61624	61624	61624	61624	61624	PANEL, LEFT SIDE, POWDER COATED	22	61400	61400	61400	61400	HINGE, BLACK STAINLESS 4-LEAF		
3	61625	61625	61625	61625	61625	PANEL, RIGHT SIDE, POWDER COATED	23	61235	61235	61235	61235	CATCH, MAGNETIC SNAP-IN		
4	61607	61607	61607	61607	61607	COVER, TOP, POWDER COATED	24	61237	61237	61237	61237	FITTING, HOSE TO 1/4 FLARE		
5	61610	61610	61610	61610	61610	BRACKET, CONTROL MOUNTING	25	60550	N/A	N/A	60550	N/A	CLAMP, 11/16 STEPLESS EAR (*)	
6	61604	61604	61604	61604	61604	PANEL, UPPER SPLASH	26	61153	N/A	N/A	61153	N/A	TUBING, INNER BRAIDED, PVC (*)	
7	61613	N/A	N/A	61613	N/A	PANEL, LWR. SPLASH, STANDARD	27	61150	N/A	N/A	61150	N/A	VALVE, AMBIENT FLOW CTRL. (*)	
8	N/A	61704	61704	N/A	61704	PANEL, LWR. SPLASH, REMOTE	28	61152	N/A	N/A	61152	N/A	TEE, 7/16 x 7/16 x 7/16 (*)	
9	61602	61602	61602	61602	61602	BRACKET, TANK MOUNTING	29	07327	N/A	N/A	07327	N/A	CLAMP, 5/8 I.D. HOSE (*)	
10	61706	61706	61706	61706	61706	TRAY, DRAIN, PLASTIC	30	71155	N/A	N/A	71155	N/A	TUBING, 5/16 I.D. SILICONE (*)	
	62335	62335	62335	62335	62335	TRAY, DRAIN PLASTIC LOW	31	61438	61438	61438	61438	61438	PANEL, PLENUM ACCESS	
11	61617	61617	61617	61617	61617	GRID, DRAIN, PLASTIC	32	61104	61105	61104	61104	61105	VALVE, INLET 1.2 GPM	
12	61217	61217	61217	61217	61217	SPRING, HOPPER RETAINING		71650	71650	71650	71650	71650	REBUILD KIT, INLET VALVE	
13	61632	(61632)	(61632)	61632	(61632)	CONTROLLER, PIC1 (MANUAL)(OPT. OVERSEAS)		61149	N/A	N/A	61149	N/A	VALVE, INLET W/DUAL OUT. (*)	
	N/A	61737	61737	N/A	61737	CONTROLLER, PIC1 (AUTO/ANALOG)	33	61131	61131	61131	61131	61131	RELAY, HEATER	
	(61739)	N/A	N/A	(61739)	N/A	CONTROLLER, PIC1 (AUTO/DIGITAL; OPT.)	34	61266	61266	61266	61266	61266	STANDOFF, PCB MOUNT	
14	N/A	61643	61643	N/A	61643	CTRL. BOARD, REMOTE (ANALOG OPT.)	35	N/A	61170	N/A	N/A	N/A	N/A	FILTER, EMI, 230V
15	61481	61470	61482	61481	61482	TRANSFORMER, CONTROL BOARD	36	60380	60380	60380	60380	60380	RIVNUT, 3/8-16	
16	61708	61712	61708	61708	61708	HARNESS, CONTROL BOARD	37	N/A	61514	N/A	N/A	N/A	N/A	O-RING, 0.906 I.D. x .210
17	61530	61453	02890	60200	61736	POWER CORD	38	61633	61633	61633	61633	61633	PLENUM/FAN MOUNT	
18	61479	86071	86071	N/A	86071	STRAIN RELIEF, HEYCO	39	61635	61635	61635	61635	61635	FAN, 24VDC, 40mm	
	N/A	N/A	N/A	07920	N/A	STRAIN RELIEF, METAL ROMEX	40	71138	N/A	N/A	71138	N/A	N/A	PLUG, STR. RELIEF, 5/8"
19	61344	61344	61344	61344	61344	PAD, LEVELLER FOOT	41	71160	71160	71160	71160	71160	CLIP, HOSE W/ADHESIVE	
20	61343	61343	61343	61343	61343	BOLT, LEVELLER FOOT	42	61196	61468	61166	61196	61169	BALLAST (LIT MERCH. OPTION)	
							43	61743	61743	61743	61743	61743	PLUG, HOLE, 3/4" HEYCO	
							44	N/A	61751	61751	61751	61751	PLUG, STR. RELIEF, 3/4"	

(*) = USED W. AMBIENT TEMP. OPTION

PIC 1 Hopper Bracket

(units with serial numbers beginning with "L")

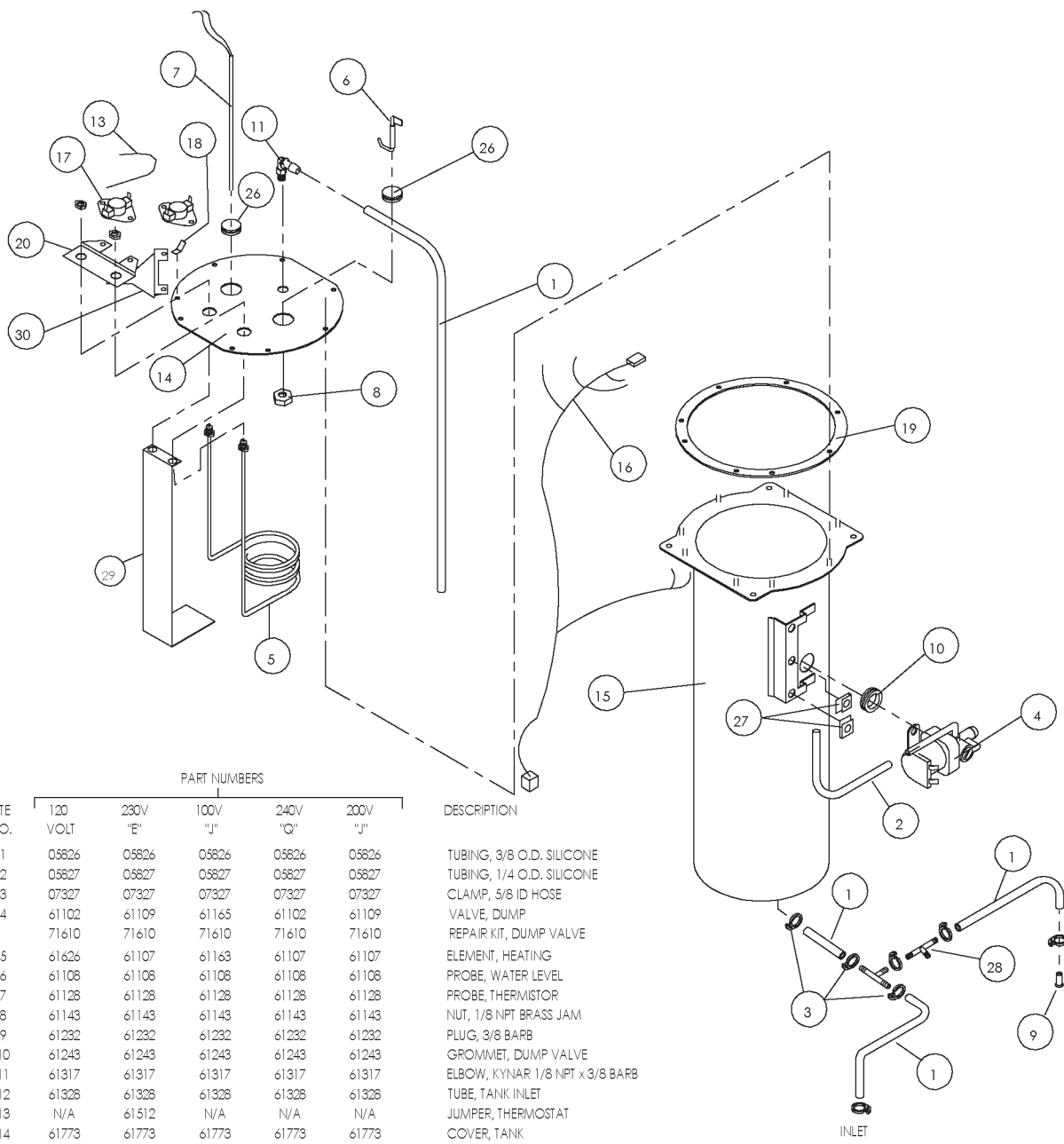


PART NUMBERS						DESCRIPTION
NOTE NO.	120 VOLT	230V "E"	100V "J"	120/240V "Q"	200V "U"	
1	61603	61603	61603	61603	61603	BRACKET, HOPPER MOUNT.
2	62395	62395	62395	62395	62395	CHAMBER, WHIPPER
3	61458	61458	61458	61458	61458	BLADE, WHIPPER FOUR
4	61334	61334	61334	61334	61334	WASHER, SLINGER
5	61459	61459	61459	61459	61459	SEAL, LIP, 1/4 ID x 0.618 OD
6	61456	61456	61456	61456	61456	BASE, WHIPPER, SELF-LOCATING
7	61633	61633	61633	61633	61633	PLENUM, STEAM RECOVERY
8	61123	61123	61123	61123	61123	TUBING, 1 1/4" ID FLEXIBLE
9	61127	61127	61127	61127	61127	O-RING, 3/8 ID x 1/2 OD
10	61221	61221	61221	61221	61221	FUNNEL
11	61223	61223	61223	61223	61223	ELBOW, HOPPER
12	61226	61226	61226	61226	61226	FITTING, FUNNLL, QUIK CNCT.
13	61228	61228	61228	61228	61228	SPACER
14	61255	61255	61255	61255	61255	SHROUD, STEAM RECOVERY
15	61372	61372	61372	61372	61372	HOPPER, ASSY 5LB .531 AUG
	61442	61442	61442	61442	61442	HOPPER, ASSY 5LB .718 AUG
	61837	61837	61837	61837	61837	HOPPER, DUAL PINW .531
	61490	61490	61490	61490	61490	HOPPER, DUAL PINW .718
17	61618	61618	61618	61618	61618	MOTOR, 12VDC AUGER
18	61847	61466	61847	61466	61466	SWITCH, TOGGLE, 16A DPST
19	61116	61117	61116	61116	61117	MOTOR, WHIPPER
20	62436	61125	61168	62436	61125	LAMP, GREEN
21	05096	70271	61167	05096	70271	LAMP, RED
22	61316	61316	61316	61316	61316	AGITATOR, PINWHEEL
24	61241	61241	61241	61241	61241	DECAL, POWER ON/OFF
25	61242	61242	61242	61242	61242	DECAL, RINSE ON/OFF
26	61247	61247	61247	61247	61247	DECAL, POWER ON

PART NUMBERS						DESCRIPTION
NOTE NO.	120 VOLT	230V "E"	100V "J"	120/240V "Q"	200V "U"	
27	61248	61248	61248	61248	61248	DECAL, READY
28	61222	61222	61222	61222	61222	HOPPER, 5lb.
	61489	61489	61489	61489	61489	HOPPER, 5lb. DUAL PINW
30	61224	61224	61224	61224	61224	AUGER, .531 PITCH
	61302	61302	61302	61302	61302	AUGER, .718 PITCH
31	61225	61225	61225	61225	61225	LINK, AUGER DRIVE
32	61230	61230	61230	61230	61230	DRIVESHAFT, AUGER SPRING
33	61315	61315	61315	61315	61315	COVER, 5lb. HOPPER
34	61313	61313	61313	61313	61313	SPRING, PINWHL. AGITR.
36	61461	61461	61461	61461	61461	BUTTON, RESTRICTOR ANGLED
	62494	62494	62494	62494	62494	SPOUT, PSD LONGER
37	61246	61246	61246	61246	61246	BEARING, DRIVESHAFT
38	61314	61314	61314	61314	61314	PALNUT, 5/8-11 UNC.
39	07301-04	07301-04	07301-04	07301-04	07301-04	WASHER, FLAT #10 SAE S.S.
40	61709	61709	61709	61709	61709	HARNES, HOPPER BRACKET
41	61157	61157	61157	61157	61157	PLUG, AMBIENT SWITCH HOLE
42	61460	61460	61460	61460	61460	BEARING, 1/4 ID x 5/16 OD
43	71155	71155	71155	71155	71155	TUBING, 5/16 ID 3/32 WALL
45	N/A	07327	N/A	N/A	N/A	CLAMP, 5/8 ID HOSE
46	61734	61734	61734	61734	61734	SEAL, CLOSED CELL FOAM
47	61735	61735	61735	61735	61735	SEAL, HOPPER BKT.
48	61480	61480	61480	61480	61480	STRAIN RELIEF, HEYCO 1240
49	61437	61437	61437	61437	61437	SCREW, 6-32 KNURL
50	60741	60741	60741	60741	60741	O-RING, 0.239 x 0.070
51	61847	61847	61847	61847	61847	SWITCH, SPST RINSE

PIC 1 Tank Assembly

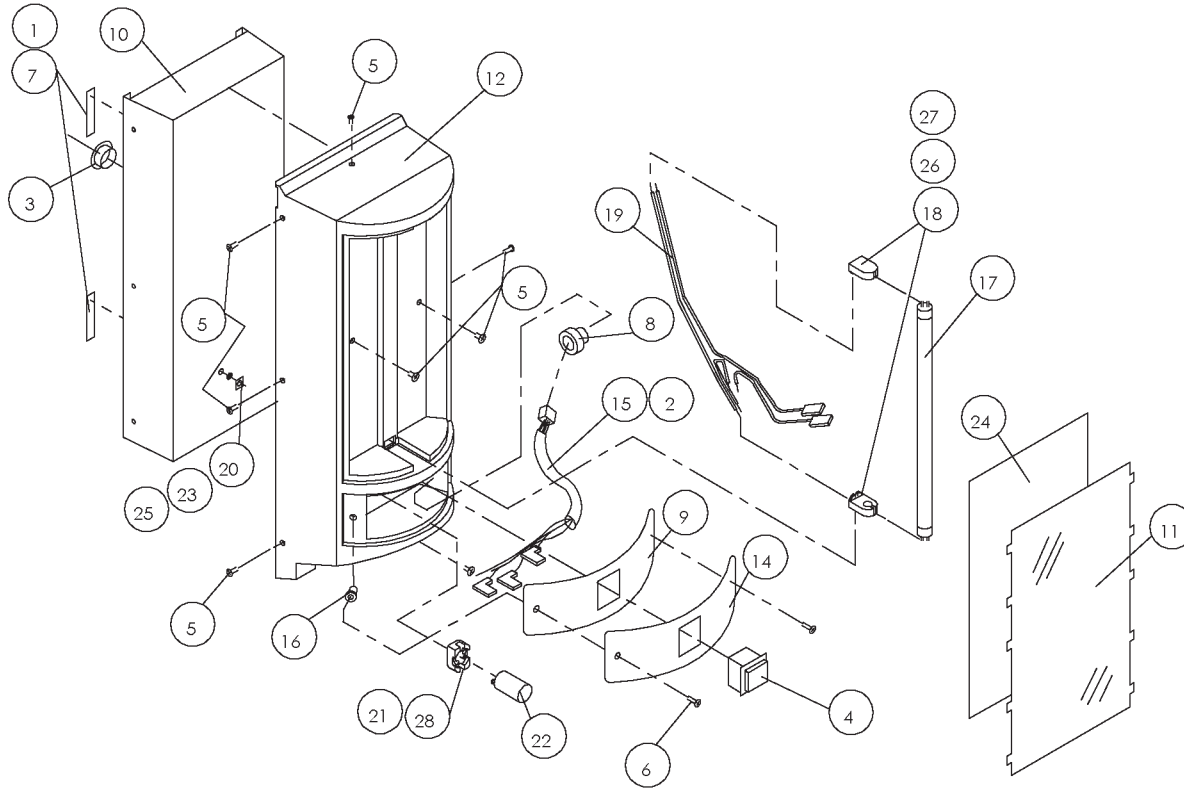
(units with serial numbers beginning with "L")



NOTE NO.	PART NUMBERS					DESCRIPTION
	120 VOLT	230V "E"	100V "J"	240V "Q"	200V "U"	
1	05826	05826	05826	05826	05826	TUBING, 3/8 O.D. SILICONE
2	05827	05827	05827	05827	05827	TUBING, 1/4 O.D. SILICONE
3	07327	07327	07327	07327	07327	CLAMP, 5/8 ID HOSE
4	61102	61109	61165	61102	61109	VALVE, DUMP
	71610	71610	71610	71610	71610	REPAIR KIT, DUMP VALVE
5	61626	61107	61163	61107	61107	ELEMENT, HEATING
6	61108	61108	61108	61108	61108	PROBE, WATER LEVEL
7	61128	61128	61128	61128	61128	PROBE, THERMISTOR
8	61143	61143	61143	61143	61143	NUT, 1/8 NPT BRASS JAM
9	61232	61232	61232	61232	61232	PLUG, 3/8 BARB
10	61243	61243	61243	61243	61243	GROMMET, DUMP VALVE
11	61317	61317	61317	61317	61317	ELBOW, KYNAR 1/8 NPT x 3/8 BARB
12	61328	61328	61328	61328	61328	TUBE, TANK INLET
13	N/A	61512	N/A	N/A	N/A	JUMPER, THERMOSTAT
14	61773	61773	61773	61773	61773	COVER, TANK
15	83447-01	83447-01	83447-01	83447-01	83447-01	TANK, 1.5 GALLON HOT WATER
16	61710	61710	61710	61710	61710	HARNES, TANK
17	62305	62305	62305	62305	62305	THERMOSTAT, HI-LIMIT
18	70635	70635	70635	70635	70635	TERMINAL, GROUND TAB
19	70821	70821	70821	70821	70821	GASKET, 1.5 GALLON TANK
20	62238	62238	62238	62238	62238	BRACKET, HI-TEMP THERMOSTAT
21	71070	71070	71070	71070	71070	FITTING, 9/16-24 x 1/8 FPT
22	71071	71071	71071	71071	71071	NUT, JAM
23	71076	71076	71076	71076	71076	WASHER, 9/16 ID BRASS
24	71097	71097	71097	71097	71097	NUT, 3/8 COMPRESSION
25	71098	71098	71098	71098	71098	SLEEVE, 3/8 COMPRESSION
26	71147	71147	71147	71147	71147	GROMMET, PROBE
27	71166	71166	71166	71166	71166	NUT, TINNEMAN
28	61152	61152	61152	61152	61152	TEE, 7/16" BARBED
29	61868	61868	61868	61868	61868	BRACKET, BAFFLE FOR TANK
30	N/A	62239	N/A	N/A	N/A	BRACKET, HI-TEMP THERMOSTAT

PIC 1 Door Assembly

(units with serial numbers beginning with "L")

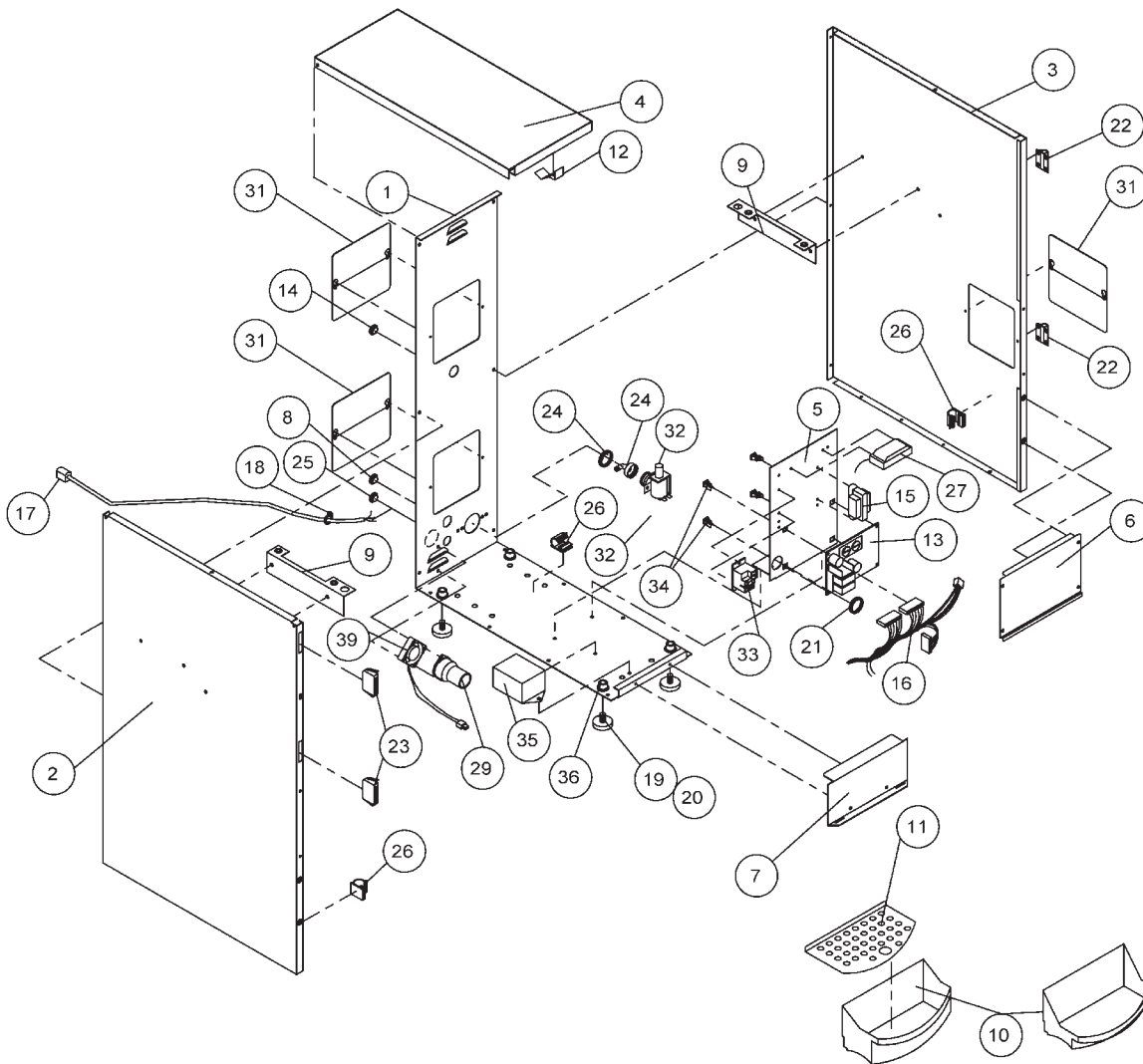


PART NUMBERS

NOTE NO.	PART NUMBERS					DESCRIPTION
	120 VOLT	240 VOLT "E"	100 VOLT "J"	120/240 VOLT "Q"	200 VOLT "J"	
1	07348-01	07348-01	07348-01	07348-01	07348-01	RIVET, POP
2	60080	60080	60080	60080	60080	CLAMP, 5/8 NYLON
3	60394	60394	60394	60394	60394	BUSHING, SNAP, 7/8"
4	61725	61725	61725	61725	61725	SWITCH, BREW DISPENSE
5	61303	61303	61303	61303	61303	SCREW, #8 x 3/8 TAPTITE
6	61304	61304	61304	61304	61304	SCREW, 6-32 x 1/2
7	61424	61424	61424	61424	61424	PLATE, STRIKER
8	61479	61479	61479	61479	61479	STRAIN RELIEF 3/4"
9	61609	61609	61609	61609	61609	PANEL, DISPENSE SWITCH
10	61616	61616	61616	61616	61616	BRACKET, MERCH. REINF.
11	61619	61619	61619	61619	61619	COVER, GRAPHICS
12	61622	61622	61622	61622	61622	MERCHANDISER, PLASTIC
14	61707	61745	61745	61707	61745	DECAL, SWITCHPANEL
15	61711	61711	61711	61711	61711	HARNES, DOOR INTERCONNECT
16	60381	60381	60381	60381	60381	RIVNUT, 6-32 AVK
17	61118	61118	61118	61118	61118	LAMP, FLUORESCENT
18	61513	61513	61513	61513	61513	SOCKET, FLUOR., MINI BI-PIN
19	61136	61136	61136	61136	61136	HARNES, LAMP
20	61187	61187	61187	61187	61187	WASHER, #8 LOCK
21	62522	62522	62522	62522	62522	SCREW, 4-36 x 3/8
22	61194	61194	61194	61194	61194	STARTER
23	61272	61272	61272	61272	61272	SCREW, #8 x 3/8 GREEN
24	61777	61777	61777	61777	61777	GRAPHIC, BACK-LIT, MERCH.
25	70635	70635	70635	70635	70635	TERMINAL, 1/4 M TAB
26	07023-04	07023-04	07023-04	07023-04	07023-04	SCREW, 6-32 x 1/4
27	07206-06	07206-06	07206-06	07206-06	07206-06	NUT, 6-32
28	62521	62521	62521	62521	62521	BASE, STARTER

PIC 1 Chassis Parts

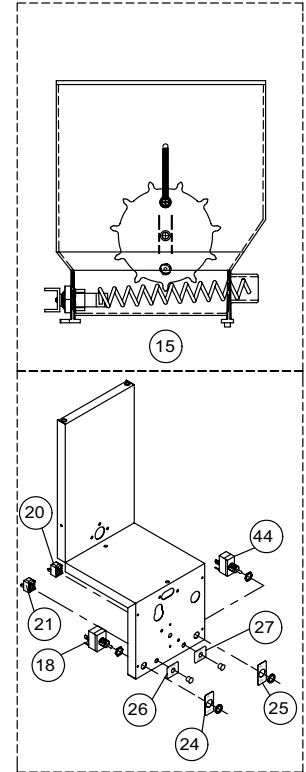
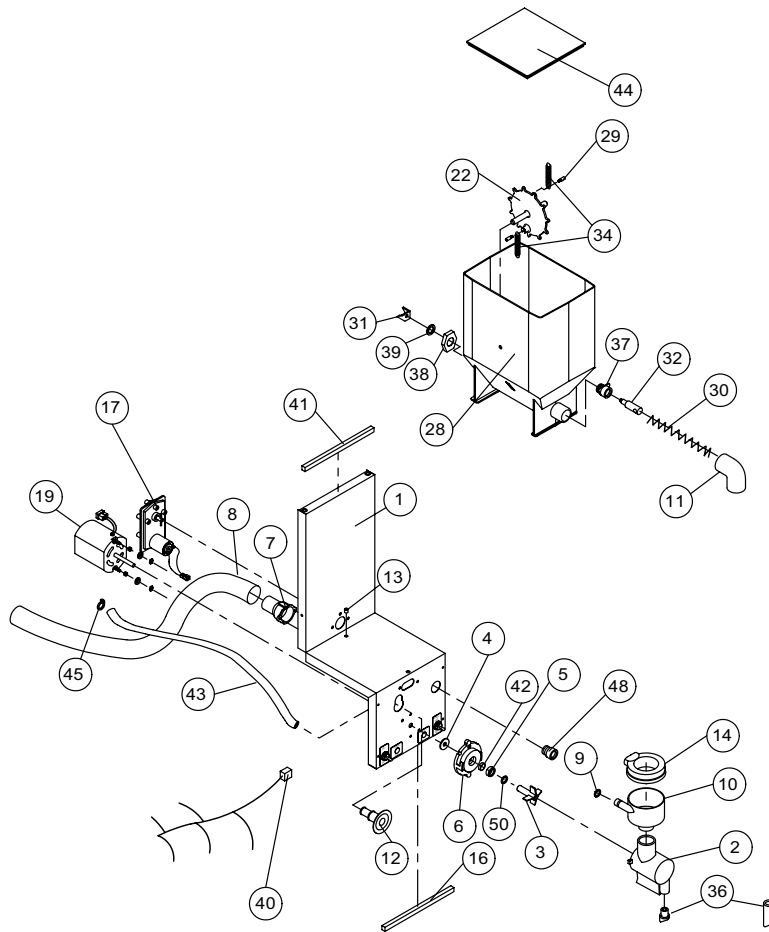
(units with serial numbers beginning with "T")



NOTE NO.	PART NUMBERS					DESCRIPTION	NOTE NO.	PART NUMBERS					DESCRIPTION	
	120 VOLT	230V "E"	100V "J"	240V "Q"	200V "U"			120 VOLT	230V "E"	100V "J"	240V "Q"	200V "U"		
1	60946	60946	60946	60946	60946	BOTTOM/BACK, POWDER COATED	19	61344	61344	61344	61344	61344	PAD, LEVELLER FOOT	
2	61624	61624	61624	61624	61624	PANEL, LEFT SIDE, POWDER COATED	20	61343	61343	61343	61343	61343	BOLT, LEVELLER FOOT	
3	61625	61625	61625	61625	61625	PANEL, RIGHT SIDE, POWDER COATED	21	60394	60394	60394	60394	60394	BUSHING, 7/8" O.D. x 3/4" I.D.	
4	61607	61607	61607	61607	61607	COVER, TOP, POWDER COATED	22	61792	61792	61792	61792	61792	HINGE, BLACK STAINLESS 2-LEAF	
5	61610	61610	61610	61610	61610	BRACKET, CONTROL MOUNTING	23	61235	61235	61235	61235	61235	CATCH, MAGNETIC SNAP-IN	
6	61604	61604	61604	61604	61604	PANEL, UPPER SPLASH	24	61237	61237	61237	61237	61237	FITTING, HOSE TO 1/4" FLARE	
7	61613	N/A	N/A	61613	N/A	PANEL, LWR. SPLASH, STANDARD	25	71138	N/A	N/A	71138	N/A	PLUG, STR. RELIEF, 5/8"	
8	N/A	61751	61751	61751	61751	PLUG, STR. RELIEF, 3/4"	26	71160	71160	71160	71160	71160	CLIP, HOSE W/ADHESIVE	
9	60947	60947	60947	60947	60947	BRACKET, TANK MOUNTING	27	61196	61468	61166	61196	61169	BALLAST (LIT MERCH. OPTION)	
10	61706	61706	61706	61706	61706	TRAY, DRAIN, PLASTIC	28	N/A	N/A	N/A	N/A	N/A	O-RING, 0.906 I.D. x .210	
11	62335	62335	62335	62335	62335	TRAY, DRAIN PLASTIC LOW	29	61633	61633	61633	61633	61633	PLENUM/FAN MOUNT	
12	61617	61617	61617	61617	61617	GRID, DRAIN, PLASTIC	30	61635	61635	61635	61635	61635	FAN, 24VDC, 40mm	
13	61217	61217	61217	61217	61217	SPRING, HOPPER RETAINING	31	61438	61438	61438	61438	61438	PANEL, PLENUM ACCESS	
14	61632	(61632)	(61632)	61632	(61632)	CONTROLLER, PIC1 (MANUAL)(OPT. OVERSEAS)	32	61104	61105	61104	61104	61105	VALVE, INLET	
15	(61739)	N/A	N/A	(61739)	N/A	CONTROLLER, PIC1 (AUTO/DIGITAL; OPT.)	33	61131	61131	61131	61131	61131	RELAY, HEATER	
16	61743	61743	61743	61743	61743	PLUG, HOLE, 3/4" HEYCO	34	61266	61266	61266	61266	61266	STANDOFF, PCB MOUNT	
17	61481	61470	61482	61481	61482	TRANSFORMER, CONTROL BOARD	35	N/A	61170	N/A	N/A	N/A	N/A	FILTER, EMI, 230V
18	61708	61712	61708	61708	61708	HARNESS, CONTROL BOARD	36	60380	60380	60380	60380	60380	RIVNUT, 3/8-16	
19	61530	61453	02880	60200	61736	POWER CORD								
20	61479	86071	86071	N/A	86071	STRAIN RELIEF, HEYCO								
21	N/A	N/A	N/A	07920	N/A	STRAIN RELIEF, METAL ROMEX								

PIC 1 Hopper Bracket

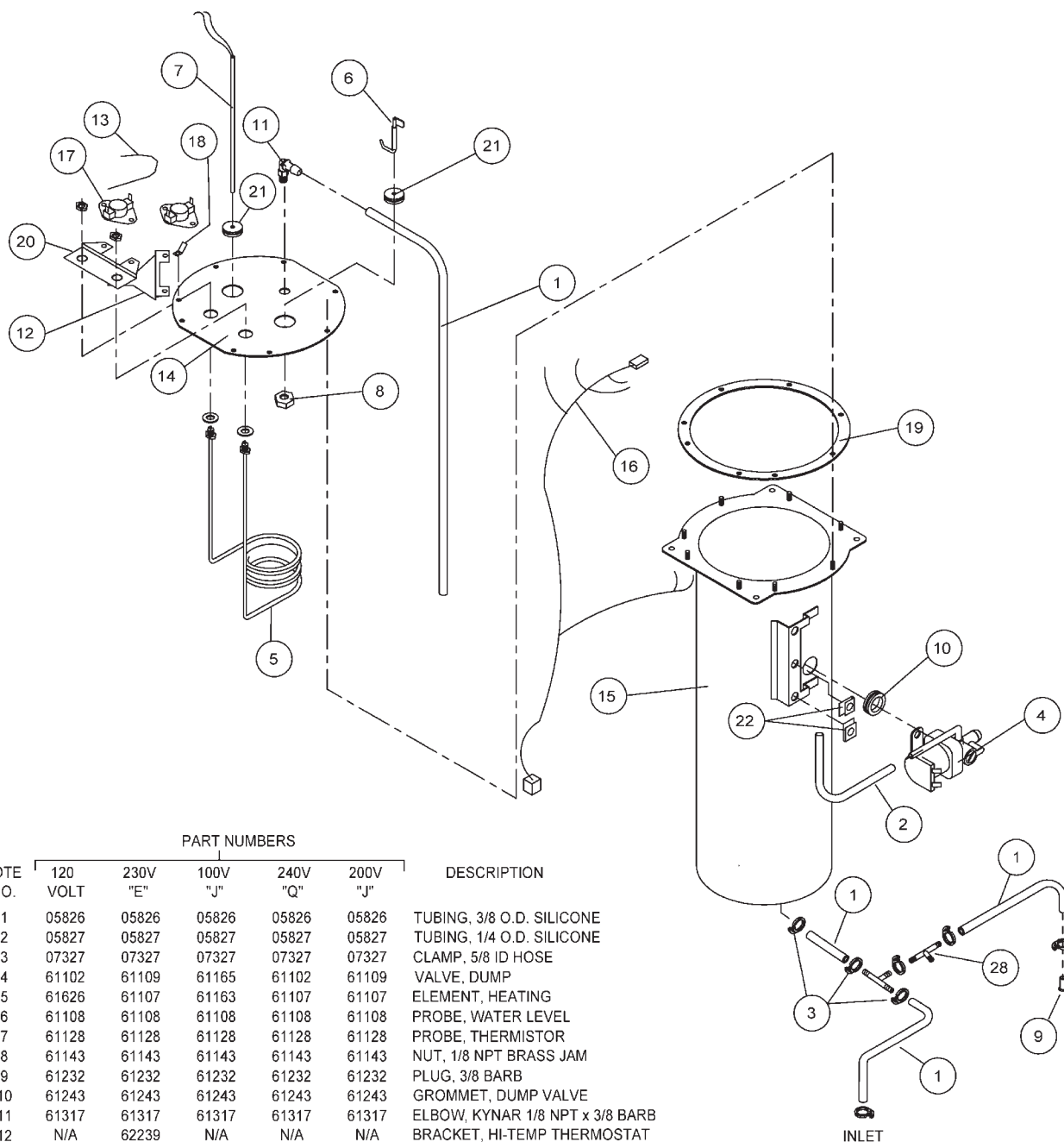
(units with serial numbers beginning with "T")



NOTE NO.	PART NUMBERS					DESCRIPTION	NOTE NO.	PART NUMBERS					DESCRIPTION
	120 VOLT	230V "E"	100V "J"	120/240V "Q"	200V "J"			120 VOLT	230V "E"	100V "J"	120/240V "Q"	200V "J"	
1	60948	60948	60948	60948	60948	BRACKET, HOPPER MOUNT.	24	61241	61241	61241	61241	61241	DECAL, POWER ON/OFF
2	62395	62395	62395	62395	62395	CHAMBER, WHIPPER	25	61242	61242	61242	61242	61242	DECAL, RINSE ON/OFF
3	61458	61458	61458	61458	61458	BLADE, WHIPPER FOUR	26	61247	61247	61247	61247	61247	DECAL, POWER ON
4	61334	61334	61334	61334	61334	WASHER, SLINGER	27	61248	61248	61248	61248	61248	DECAL, READY
5	61459	61459	61459	61459	61459	SEAL, LIP, 1/4 ID x 0.618 OD	28	60942	60942	60942	60942	60942	HOPPER
6	61456	61456	61456	61456	61456	BASE, WHIPPER, SELF-LOCATING	29	61437	61437	61437	61437	61437	SCREW, 6-32 KNURL
7	61633	61633	61633	61633	61633	PLENUM, STEAM RECOVERY	30	61224	61224	61224	61224	61224	AUGER, STANDARD
8	61123	61123	61123	61123	61123	TUBING, 1 1/4" ID FLEXIBLE	31	61225	61225	61225	61225	61225	LINK, AUGER DRIVE
9	61127	61127	61127	61127	61127	O-RING, 3/8 ID x 1/2 OD	32	61230	61230	61230	61230	61230	DRIVESHAFT, AUGER SPRING
10	61221	61221	61221	61221	61221	FUNNEL	33	60943	60943	60943	60943	60943	COVER, HOPPER
11	61223	61223	61223	61223	61223	ELBOW, HOPPER	34	61313	61313	61313	61313	61313	SPRING, PINWHL. AGITR.
12	61226	61226	61226	61226	61226	FITTING, FUNNLL. QUIK CNCT.	35	60741	60741	60741	60741	60741	O-RING, 0.239 x 0.070
13	61228	61228	61228	61228	61228	SPACER	36	61461	61461	61461	61461	61461	BUTTON, RESTRICTOR ANGLED
14	61255	61255	61255	61255	61255	SHROUD, STEAM RECOVERY		62494	62494	62494	62494	62494	SPOUT, PSD LONGER
15	60967	60967	60967	60967	60967	HOPPER, ASSEMBLY	37	60966	60966	60966	60966	60966	BEARING, DRIVESHAFT
16	61735	61735	61735	61735	61735	SEAL, HOPPER BKT.	38	61314	61314	61314	61314	61314	5/8-11 UNC.
17	61618	61618	61618	61618	61618	MOTOR, 12VDC AUGER	39	07301-04	07301-04	07301-04	07301-04	07301-04	WASHER, FLAT #10 SAE S.S.
18	61847	61466	61847	61466	61466	SWITCH, TOGGLE, 16A DPST	40	61709	61709	61709	61709	61709	HARNASS, HOPPER BRACKET
19	61116	61117	61116	61116	61117	MOTOR, WHIPPER	41	61734	61734	61734	61734	61734	SEAL, CLOSED CELL FOAM
20	62436	61125		62436	61125	LAMP, GREEN	42	61460	61460	61460	61460	61460	BEARING, 1/4 ID x 5/16 OD
21	05096	70271	61167	05096	70271	LAMP, RED	43	71155	71155	71155	71155	71155	TUBING, 5/16 ID 3/32 WALL
22	60944	60944	60944	60944	60944	AGITATOR, PINWHEEL	44	61847	61847	61847	61847	61847	SWITCH, SPST RINSE
23	61480	61480	61480	61480	61480	STRAIN RELIEF, HEYCO 1240	45	N/A	07327	N/A	N/A	N/A	CLAMP, 5/8 ID HOSE

PIC 1 Tank Assembly

(units with serial numbers beginning with "T")

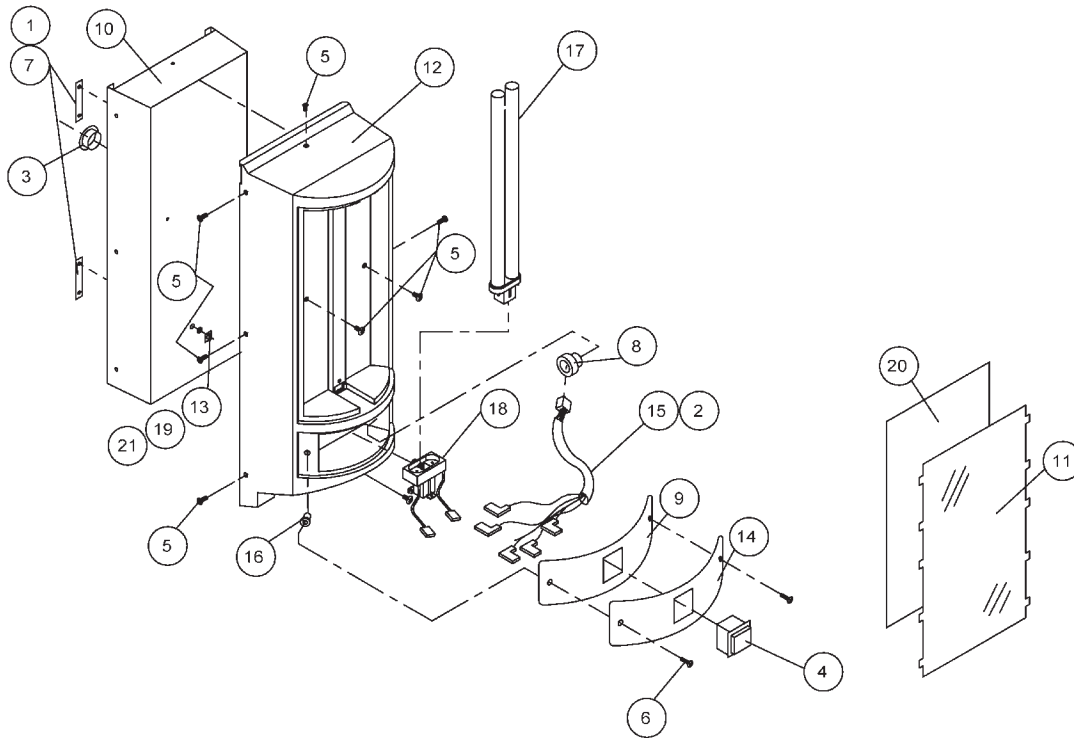


PART NUMBERS

NOTE NO.	120 VOLT	230V "E"	100V "J"	240V "Q"	200V "J"	DESCRIPTION
1	05826	05826	05826	05826	05826	TUBING, 3/8 O.D. SILICONE
2	05827	05827	05827	05827	05827	TUBING, 1/4 O.D. SILICONE
3	07327	07327	07327	07327	07327	CLAMP, 5/8 ID HOSE
4	61102	61109	61165	61102	61109	VALVE, DUMP
5	61626	61107	61163	61107	61107	ELEMENT, HEATING
6	61108	61108	61108	61108	61108	PROBE, WATER LEVEL
7	61128	61128	61128	61128	61128	PROBE, THERMISTOR
8	61143	61143	61143	61143	61143	NUT, 1/8 NPT BRASS JAM
9	61232	61232	61232	61232	61232	PLUG, 3/8 BARB
10	61243	61243	61243	61243	61243	GROMMET, DUMP VALVE
11	61317	61317	61317	61317	61317	ELBOW, KYNAR 1/8 NPT x 3/8 BARB
12	N/A	62239	N/A	N/A	N/A	BRACKET, HI-TEMP THERMOSTAT
13	N/A	61512	N/A	N/A	N/A	JUMPER, THERMOSTAT
14	61773	61773	61773	61773	61773	COVER, TANK
15	60958	60958	60958	60958	60958	TANK, 1.5 GALLON HOT WATER
16	61710	61710	61710	61710	61710	HARNES, TANK
17	62237	62237	62305	62237	62305	THERMOSTAT, HI-LIMIT
18	70635	70635	70635	70635	70635	TERMINAL, GROUND TAB
19	70821	70821	70821	70821	70821	GASKET, 1.5 GALLON TANK
20	62238	62238	62238	62238	62238	BRACKET, HI-TEMP THERMOSTAT
21	71147	71147	71147	71147	71147	GROMMET, PROBE
22	71166	71166	71166	71166	71166	NUT, TINNERMAN
23	61152	61152	61152	61152	61152	TEE, 7/16" BARBED

PIC 1 Door Assembly

(units with serial numbers beginning with "T")



PART NUMBERS

NOTE NO.	PART NUMBERS					DESCRIPTION
	120 VOLT	240 VOLT "E"	100 VOLT "J"	120/240 VOLT "Q"	200 VOLT "J"	
1	07348-01	07348-01	07348-01	07348-01	07348-01	RIVET, POP
2	60080	60080	60080	60080	60080	CLAMP, 5/8 NYLON
3	60394	60394	60394	60394	60394	BUSHING, SNAP, 7/8"
4	61725	61725	61725	61725	61725	SWITCH, BREW DISPENSE
5	61303	61303	61303	61303	61303	SCREW, #8 x 3/8 TAPTITE
6	61304	61304	61304	61304	61304	SCREW, 6-32 x 1/2
7	61424	61424	61424	61424	61424	PLATE, STRIKER
8	61479	61479	61479	61479	61479	STRAIN RELIEF 3/4"
9	61609	61609	61609	61609	61609	PANEL, DISPENSE SWITCH
10	60949	60949	60949	60949	60949	BRACKET, MERCH. REINF.
11	60952	60952	60952	60952	60952	COVER, GRAPHICS
12	60953	60953	60953	60953	60953	MERCHANDISER, PLASTIC
13	61187	61187	61187	61187	61187	WASHER, #8 LOCK
14	61707	61745	61745	61707	61745	DECAL, SWITCHPANEL
15	61711	61711	61711	61711	61711	HARNESS, DOOR INTERCONNECT
16	60381	60381	60381	60381	60381	RIVNUT, 6-32 AVK
17	60941	60941	60941	60941	60941	LAMP, FLUORESCENT MINI BI-PIN
18	60945	60945	60945	60945	60945	SOCKET, FLUORESCENT MINI BI-PIN
19	61272	61272	61272	61272	61272	SCREW, #8 x 3/8 GREEN
20	61777	61777	61777	61777	61777	CAPPUCCINO GRAPHIC, BACK-LIT, MERCH.
21	70635	70635	70635	70635	70635	TERMINAL, 1/4 M TAB