

# Ready To Serve Dispensers

## Bag-In-The-Box

Dispense Iced Cappuccino, Milk, Creamers, Fruit Smoothies, Juice, Iced Coffee, or any Non-Carbonated Beverage.



### Standard Features

- **Accepts (2x) 2<sup>3</sup>/<sub>4</sub> gal. Beverages** – Suitable for any non-carbonated drink.
- **Bag-In-The-Box Dispenser** – Accepts any bag-in-box or bag-in-basket size/format.
- **Stands Out From The Crowd** – Back lit and customizable P.O.P. graphic.
- **Hygienic** – Unique pull out drip tray and surroundings are easy to keep clean.
- **Door & Faucets Can Be Key Locked** – Eliminates unauthorized tampering of product.
- **Easy Installation & Smooth Operation.**
- **No Waterlines Needed.**

Specifications subject to change without notice

**Dispense It Cold!**

Tel: 800.935.2211  
Tel: 718.932.1414  
Fax: 718.932.7860

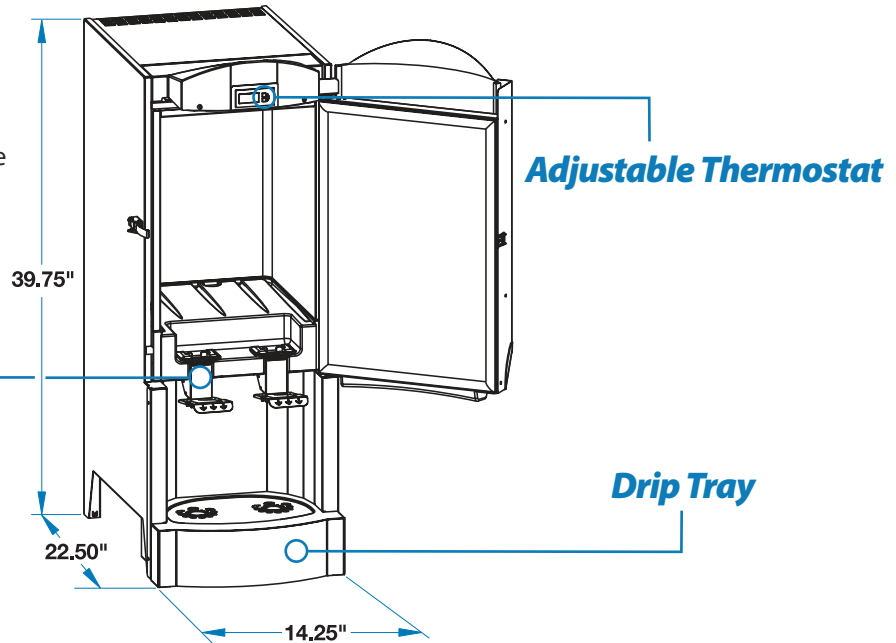
[www.cecilware.com](http://www.cecilware.com)

**Cecilware Corporation**  
43-05 20th Ave., LIC NY 11105

# Ready To Serve Dispensers

## Dimensions & Features

**Approved For Dairy**  
Conforms With NSF 20 – Entire Pack is Chilled Including Nozzle



## Options



**Iced Cappuccino/Coffee P.O.P. Graphic**

Display Graphic – Part # 08423  
Flavor Labels – "Mocha" Part # 08424  
"French Vanilla" Part # 08425



**Fresh Milk P.O.P. Graphic**

Display Graphic – Part # 08426  
Flavor Labels – "Fresh Milk" Part # 08427



## Specifications

Model	Adjustable Temp. Range	Dimensions W x D x H	Basket & Carton Dim. W x D x H	Electrical	Ship Weight
RTS-2	35°F - 50°F	14¼" x 22½" 39¾"	5½" x 12½" x 15¾"	120V, 1.8KW, 15A	95 lbs.

Specifications subject to change without notice

Tel: 800.935.2211  
Tel: 718.932.1414  
Fax: 718.932.7860

[www.cecilware.com](http://www.cecilware.com)

**Cecilware Corporation**  
43-05 20th Ave., LIC NY 11105

